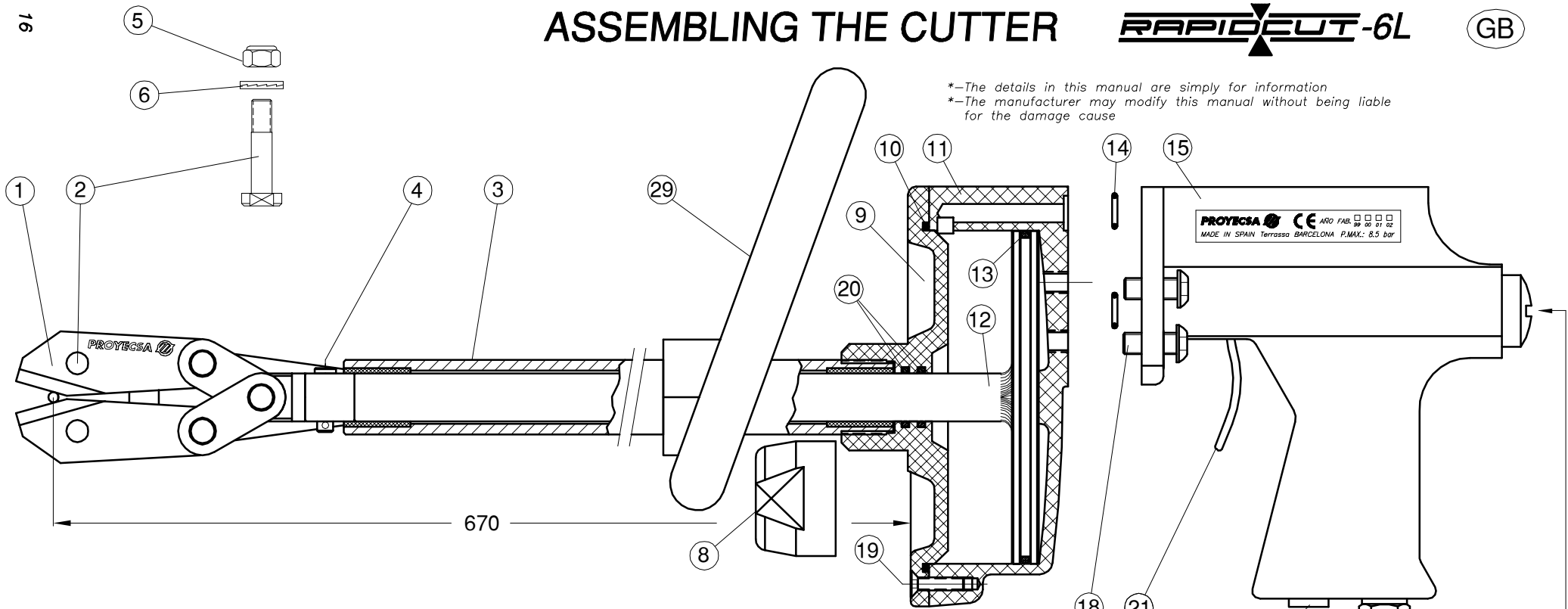


# ASSEMBLING THE CUTTER



\*-The details in this manual are simply for information  
 \*-The manufacturer may modify this manual without being liable for the damage cause

POS.	REF.	POS.	REF.	POS.	REF.
①	Set of blades	C80LAP	⑪	Cylinder body	6014
②	2-Front axle	6001	⑫	Piston	6L001
③	Rear guide support	6L002	⑬	Piston joint	6016
④	Hinge bolt	6007	⑭	2-Couple joints	6017
⑤	Female screw	6002	⑮	Distributor body	6020
⑥	NORD-LOCK® washer	6004	⑯	1/4" tube connector	6032
⑦	3/8"-cap	6003	⑰	2-3/8" Silencers	6031
⑧	Counter nut	7003	⑱	4-Distributor screws	6018
⑨	Rear lid	6011	⑲	9-Lid-fastening screws	6034
⑩	Lid joint	6012	⑳	2-Piston rod joints	6013
			㉑	Trigger	6021
			㉒	Bearer guide	6026
			㉓	6-Distributor joints	6027
			㉔	5-distributor spacers	6028
			㉕	Bearer	6025
			㉖	Spring	6029
			㉗	Distributor lid	6030
			㉘	3/8" connector female	6033
			㉙	Subjection handle	7011

