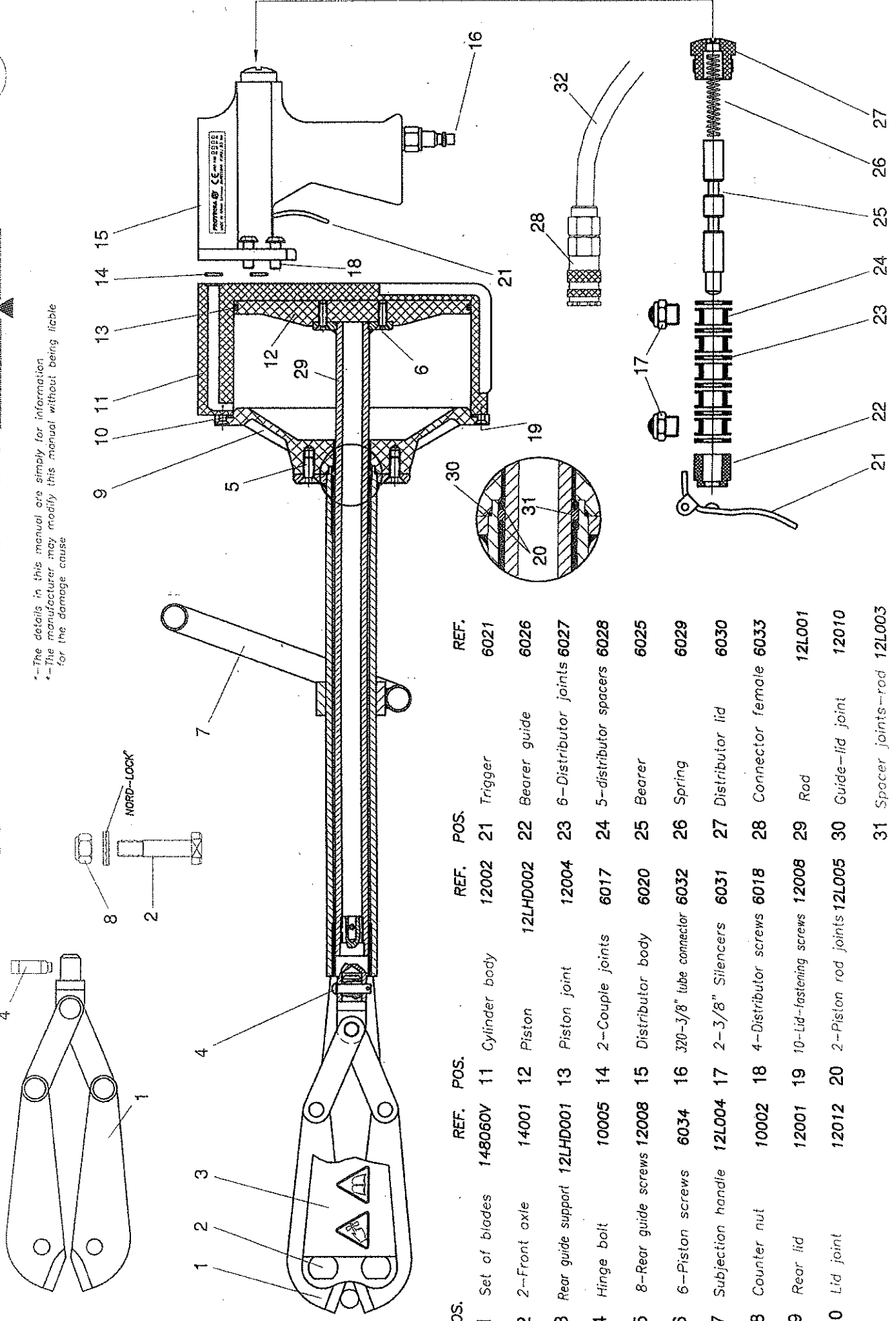


ASSEMBLING THE CUTTER **RRRRIEXEUT-12LHD** (GB)

*-The details in this manual are simply for information
 *-The manufacturer may modify this manual without being liable
 for the damage cause



POS.	REF.	POS.	REF.
1	Set of blades 148060V	11	Cylinder body 6021
2	2-Front axle 14001	12	Piston 12LHD002
3	Rear guide support 12LHD001	13	Piston joint 12004
4	Hinge bolt 10005	14	2-Couple joints 6017
5	8-Rear guide screws 12008	15	Distributor body 6020
6	6-Piston screws 6034	16	320-3/8" tube connector 6032
7	Subjection handle 12L004	17	2-3/8" Silencers 6031
8	Counter nut 10002	18	4-Distributor screws 6018
9	Rear lid 12001	19	10-Lid-fastening screws 12008
10	Lid joint 12012	20	2-Piston rod joints 12L005
		21	Spacer joints-rod 12L003
		22	Bearer guide 6026
		23	6-Distributor joints 6027
		24	5-Distributor spacers 6028
		25	Bearer 6025
		26	Spring 6029
		27	Distributor lid 6030
		28	Connector female 6033
		29	Rod 12L001
		30	Guide-lid joint 12010
		31	Spacer joints-rod 12L003
		32	8x12 polietilene flessibile 6035