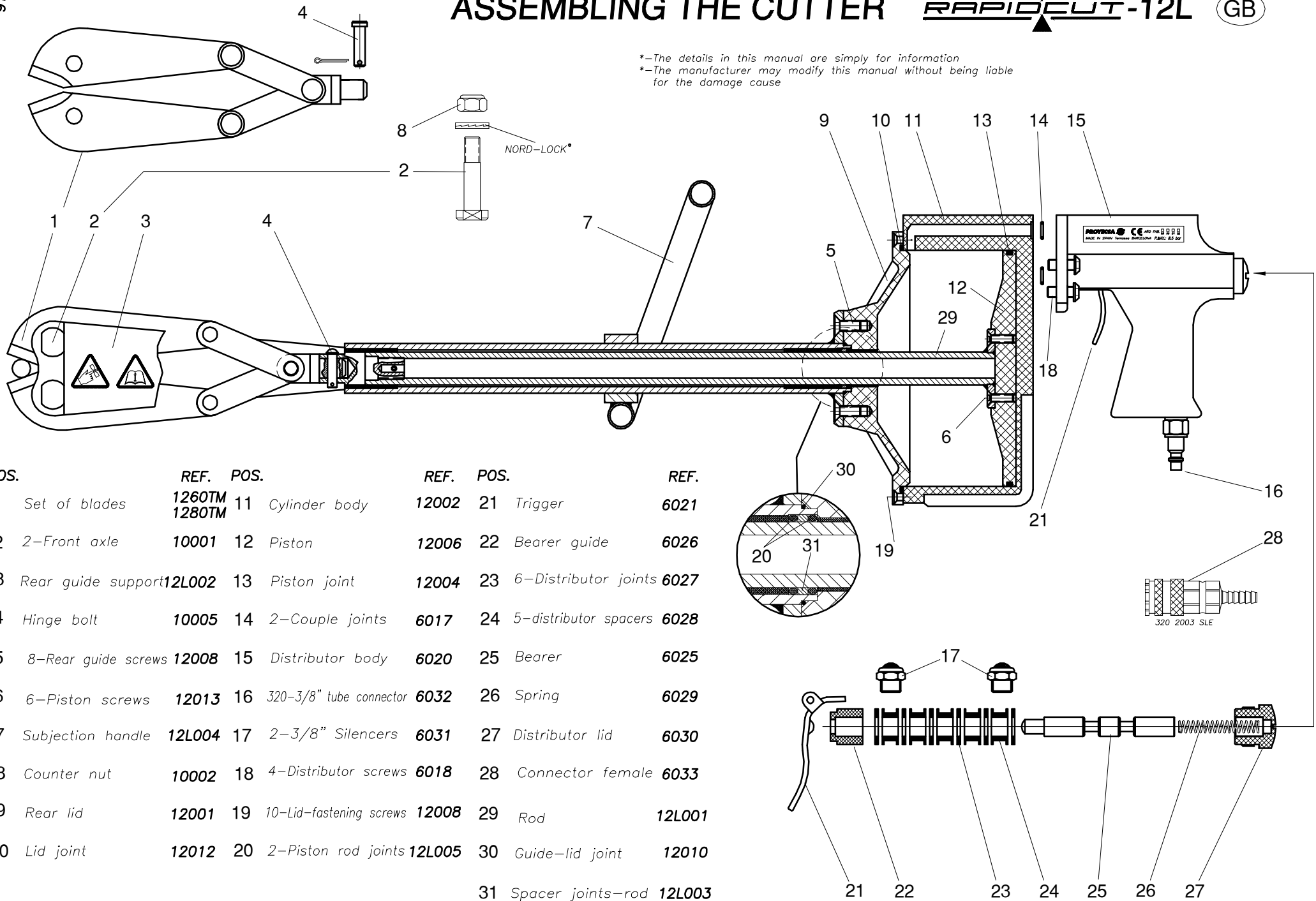


# ASSEMBLING THE CUTTER

\*-The details in this manual are simply for information  
 \*-The manufacturer may modify this manual without being liable for the damage cause



POS.	REF.	POS.	REF.	POS.	REF.
1	1260TM 1280TM	11	12002	21	6021
2	10001	12	12006	22	6026
3	12L002	13	12004	23	6027
4	10005	14	6017	24	6028
5	12008	15	6020	25	6025
6	12013	16	6032	26	6029
7	12L004	17	6031	27	6030
8	10002	18	6018	28	6033
9	12001	19	12008	29	12L001
10	12012	20	12L005	30	12010
		31	12L003		