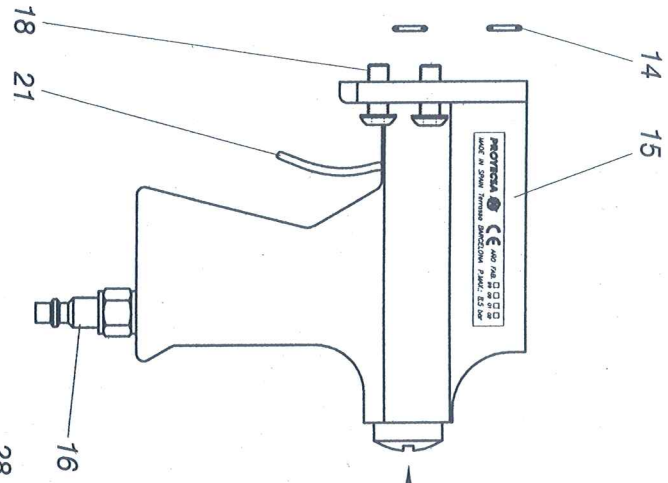
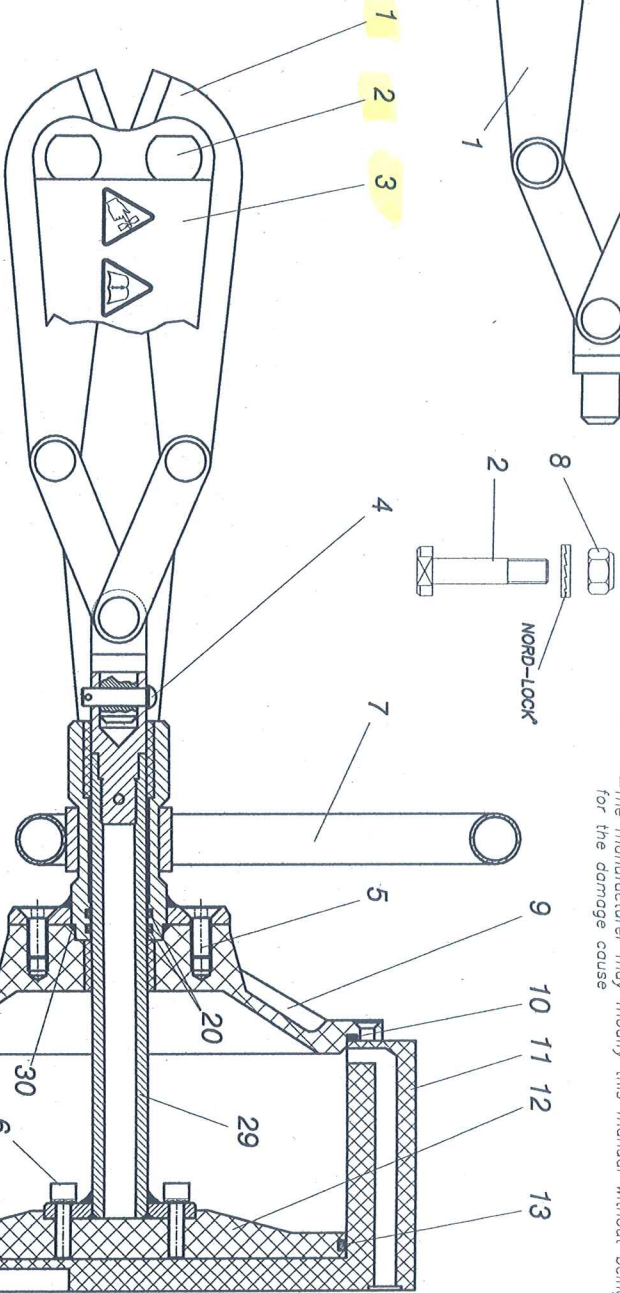
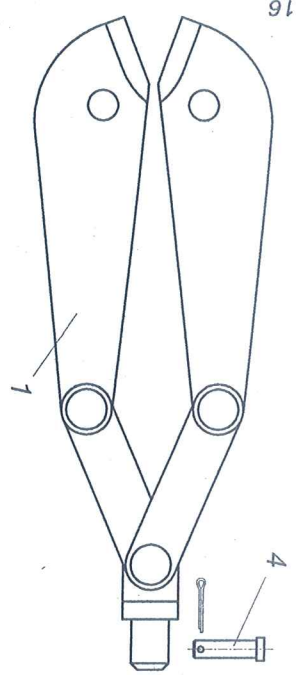


# ASSEMBLING THE CUTTER **RAPID-CUT-12HD** GB

\*-The details in this manual are simply for information  
\*-The manufacturer may modify this manual without being liable  
for the damage cause



POS.	REF.	POS.	REF.	POS.	REF.
1	148060V	11	12002	21	6021
2	14001	12	12LHD002	22	6026
3	12HD001	13	12004	23	6027
4	10005	14	6017	24	6028
5	12008	15	6020	25	6025
6	6034	16	6032	26	6029
7	12005	17	6031	27	6030
8	10002	18	6018	28	6033
9	12001	19	12008	29	12007
10	12012	20	12009	30	12010

