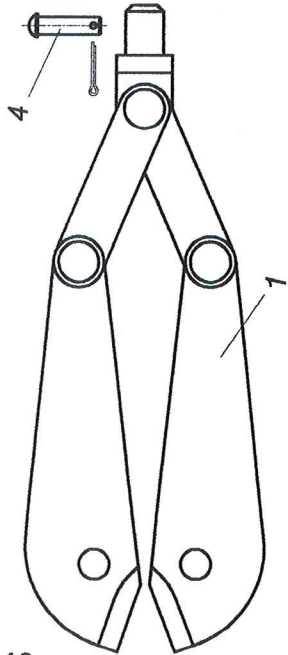
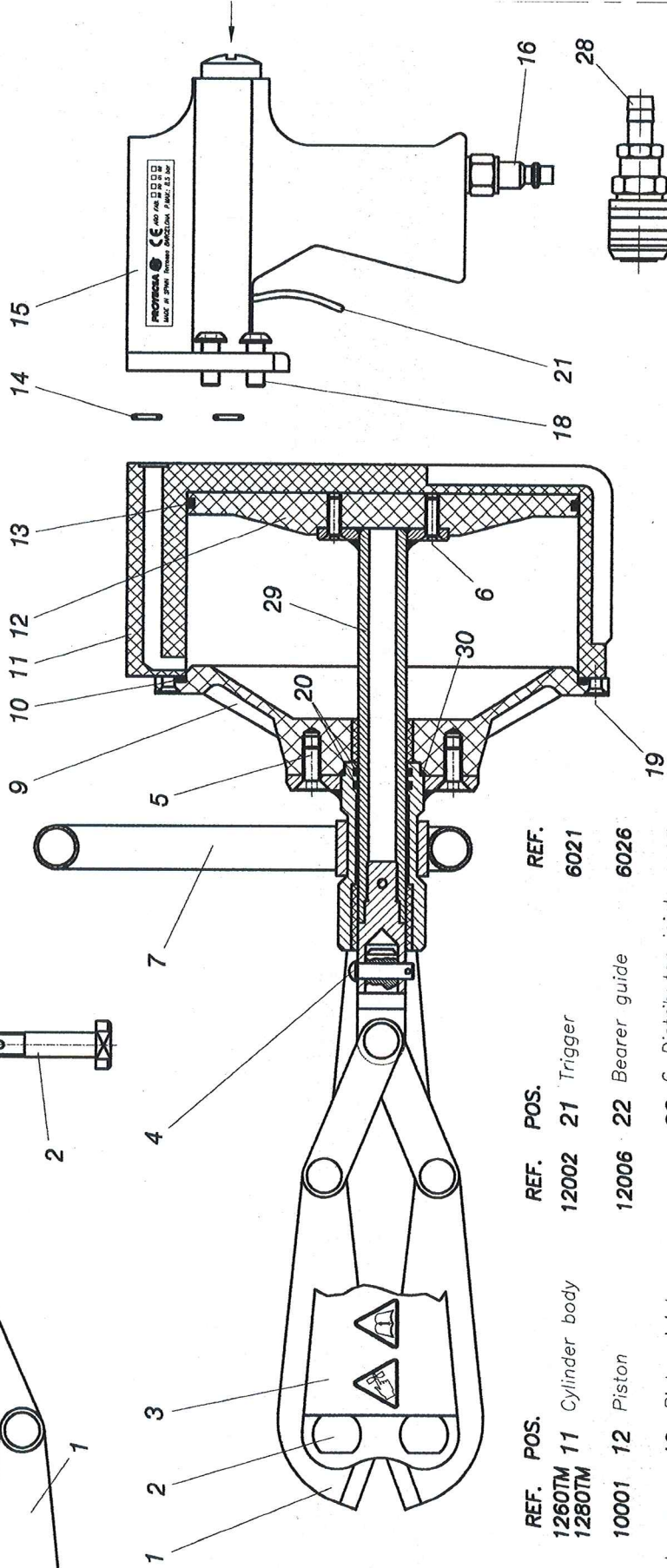


ASSEMBLING THE CUTTER **RAPID-CUT-12**



16

*-The details in this manual are simply for information
 *-The manufacturer may modify this manual without being liable
 for the damage cause



| POS. | REF. | POS. | REF. |
|------|-----------------------------------|------|-------------------------|
| 1 | Set of blades 1260TM 1280TM | 11 | Cylinder body |
| 2 | 2-Front axle | 12 | Piston |
| 3 | Rear guide support | 13 | Piston joint |
| 4 | Hinge bolt | 14 | 2-Couple joints |
| 5 | 8-Rear guide screws | 15 | Distributor body |
| 6 | 6-Piston screws | 16 | 3/8" tube connector |
| 7 | Subjection handle | 17 | 2-3/8" Silencers |
| 8 | Counter nut | 18 | 4-Distributor screws |
| 9 | Rear lid | 19 | 17-Lid-fastening screws |
| 10 | Lid joint | 20 | 2-Piston rod joints |
| | | 21 | 2009 |
| | | 22 | Rod |
| | | 23 | 6-Distributor joints |
| | | 24 | 5-distributor spacers |
| | | 25 | Bearer |
| | | 26 | Spring |
| | | 27 | Distributor lid |
| | | 28 | 3/8" connector female |
| | | 29 | 12007 |
| | | 30 | Guide-lid joint |
| | | | 12010 |

