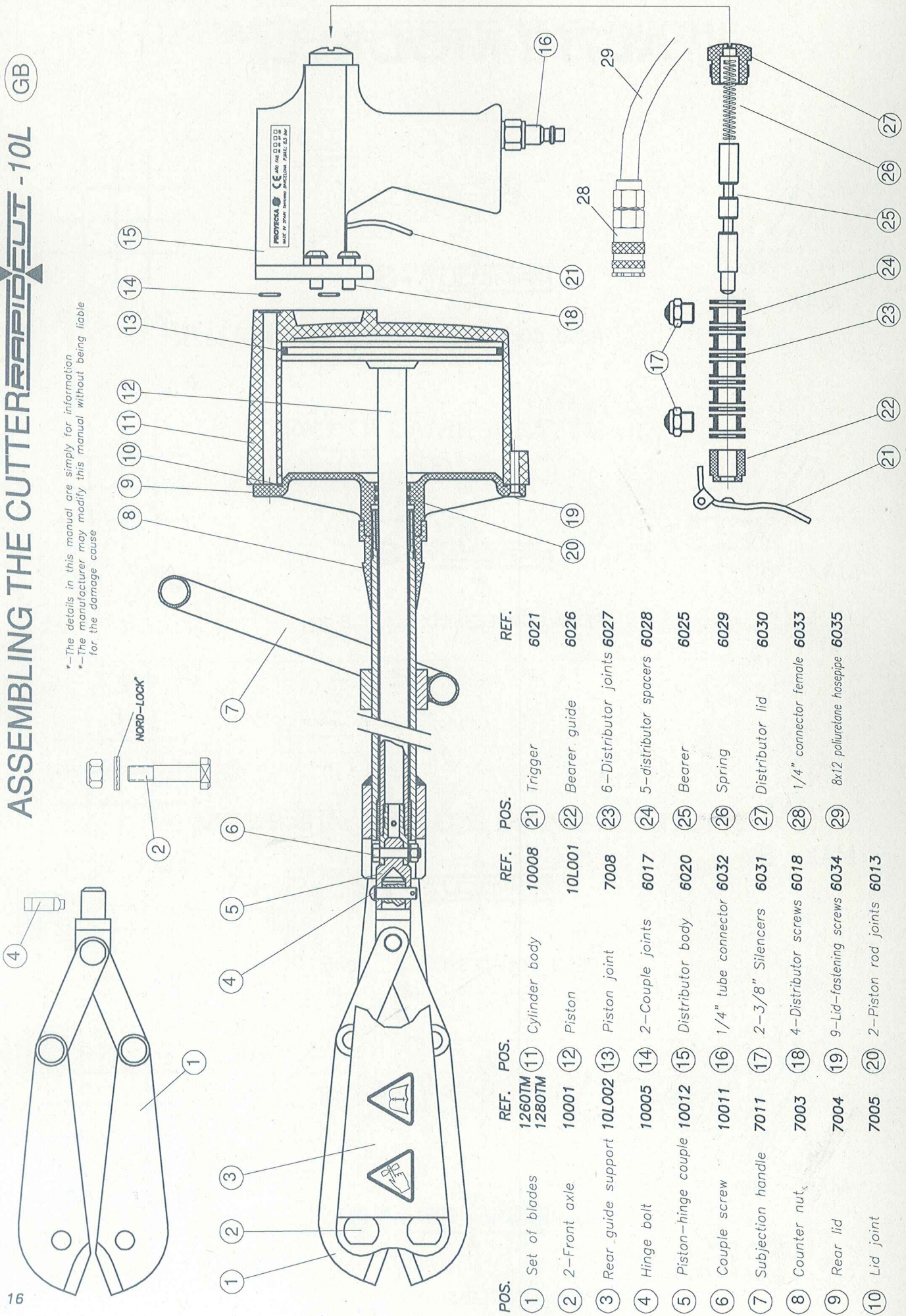


ASSEMBLING THE CUTTER **RAPID-CUT -10L** GB

*-The details in this manual are simply for information
 *-The manufacturer may modify this manual without being liable
 for the damage cause



POS.	REF.	POS.	REF.	POS.	REF.
1	Set of blades	11	Cylinder body	21	Trigger
2	2-Front axle	12	Piston	22	Bearer guide
3	Rear guide support	13	Piston joint	23	6-Distributor joints
4	Hinge bolt	14	2-Couple joints	24	5-distributor spacers
5	Piston-hinge couple	15	Distributor body	25	Bearer
6	Couple screw	16	1/4" tube connector	26	Spring
7	Subjection handle	17	2-3/8" Silencers	27	Distributor lid
8	Counter nut	18	4-Distributor screws	28	1/4" connector female
9	Rear lid	19	9-Lid-fastening screws	29	8x12 poliuretane hosepipe
10	Lid joint	20	2-Piston rod joints		