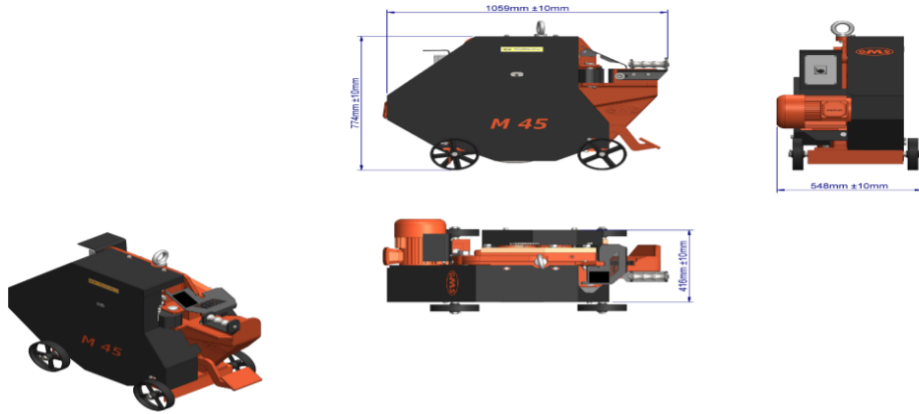


M 45 SPARE PARTS LIST



NO	PART NUMBER	PART NAME	PART NAME	PCS	PRICE (DKK)	TOTAL PRICE (DKK)	WEIGHT (kg) / each	PICTURE OF PARTS
1	M45-01	ANA GÖVDE	MAIN BODY	1	8.228,81	8.228,81	133,36	
2	M45-02	ÖN TEKERLEK MAZISI BAĞLANTI SEHPASI	Front wheel connection part	1	61,76	61,76	5,14	
3	M45-03	ARKA TEKERLEK MAZISI BAĞLANTI SEHPASI	Back wheel connection part	1	61,76	61,76	4,82	
4	M45-04	PİNYON DİŞLİ Z=15 MN=3,5	PINION GEAR Z=15 MN=3,5	1	451,65	451,65	4,27	

5	M45-05	Ø12x8x90 KAMA	Ø12x8x90 WEDGE	1	7,14	7,14	0,07	
6	M45-06	RULMAN 6211	BEARING 6211	1	204,47	204,47	1,00	
7	M45-07	HELİS DİŞLİ 3,5M 85D 20HA	HELICAL GEAR 3,5M 85D 20HA	1	1.259,71	1.259,71	23,22	
8	M45-08	RULMAN 6313	BEARING 6313	1	774,87	774,87	0,34	
9	M45-09	PİNYON DÜZ DİŞLİ 6M 15D	STRAIGHT PIN GEAR 6M 15D	1	698,83	698,83	7,22	
10	M45-10	14x9x40 KAMA	14x9x40 WEDGE	1	11,91	11,91	0,04	
11	M45-11	HELİS DİŞLİ PULU	HELICAL GEAR WASHER	1	19,05	19,05	0,04	
12	M45-12	M20 YAYLI RONDELA	M20 SPRING WASHER	1	0,15	0,15	0,01	
13	M45-13	M16x40 ALTIKÖŞEBEŞ Lİ CİVATA	M16x40 HEXAGON- HEAD BOLT	1	2,08	2,08	0,01	

14	M45-14	EKSANTRİK MİL	ECCENTRIC SHAFT	1	1.735,17	1.735,17	13,11	
15	M45-15	Ø85xØ75x58,2m m BRONZ	Ø85xØ75x58,2m m BRONZE	1	522,93	522,93	0,60	
16	M45-16	TAŞIYICI KOL	CARRIER ARM	1	332,75	332,75	5,62	
17	M45-17	BİÇAK TAŞIYICI	BLADE CARRIER	1	546,74	546,74	6,88	
18	M45-18	Ø138xØ128x48 mm BRONZ	Ø138xØ128x48 mm BRONZE	1	618,02	618,02	0,83	
19	M45-19	85X85X25 BİÇAK	85X85X25 BLADE	4	123,66	494,36	1,50	
20	M45-20	M16x30 İNBUS CİVATA	M16x30 İNBUS BOLT	1	1,64	1,64	0,11	
21	M45-21	TAŞIYICI YATAK	CARRIER COVER	1	1.098,10	1.098,10	19,34	
22	M45-22	RULMAN 6309	BEARING 6309	2	166,37	332,75	0,13	

23	M45-23	KÜÇÜK MUHAFAZA	SMALL COVER	1	175,90	175,90	5,79	
24	M45-24	M10 PUL	M10 WASHER	2	0,15	0,30	0,42	
25	M45-25	M10x20 İNBUS CİVATA	M10x20 INBUS BOLT	2	0,89	1,93	0,32	
26	M45-26	M16x70 İNBUS CİVATA	M16x70 INBUS BOLT	1	4,61	4,61	0,20	
27	M45-27	Ø85xØ75x40mm BRONZ	Ø85xØ75x40mm BRONZE	1	475,31	475,31	0,41	
28	M45-28	DÜZ DİŞLİ Z=64 MN=6	STRAIGHT GEAR Z=64 MN=6	1	2.281,76	2.281,76	38,76	
29	M45-29	Ø85xØ75x51mm BRONZ	Ø85xØ75x51mm BRONZE	1	522,93	522,93	0,53	
30	M45-30	M10x15 ALTIKÖŞEBEŞLİ CİVATA	M10x15 HEXAGON-HEAD BOLT	4	1,19	4,76	0,26	
31	M45-31	Ø75 x 2.5 MİL SEGMANI	Ø75 x 2.5 SHAFT RING	1	1,19	1,19	0,33	

32	M45-32	KAVRAMA	CLUTCH	1	836,63	836,63	4,44	
33	M45-33	KAVRAMA YAYI	CLUTCH SPRING	4	7,14	28,57	0,35	
34	M45-34	KAVRAMA BASKI PULU	CLUTCH WASHER	1	57,00	57,00	0,51	
35	M45-35	Ø140 KASNAK	Ø140 PULLEY	1	347,03	347,03	2,52	
36	M45-36	MOTOR VE ŞALTER BAĞLATI SACI	MOTOR AND SWITCH CONNECTION PLATE	1	199,71	199,71	6,37	
37	M45-37	M8-SOMUN	M8 NUT	4	1,19	4,76	0,86	
38	M45-38	M20 SOMUN	M20 NUT	1	3,57	3,57	0,88	
39	M45-39	M20 x 100 CİVATA	M20 x 100 BOLT	1	5,80	5,80	0,04	
40	M45-40	M16 x 80 CİVATA	M16 x 80 BOLT	1	3,57	3,57	0,02	

41	M45-41	3KW MOTOR	3KW MOTOR	1	1.977,59	1.977,59	7,59	
42	M45-42	Ø8x8x50mm KAMA	Ø8x8x50mm WEDGE	1	9,52	9,52	0,02	
43	M45-43	M16 SOMUN	M16 NUT	2	1,64	3,27	0,41	
44	M45-44	(Ø125 SPA 1610 06-13LÜK 2KANAL 1610- 28BURÇ)	(Ø125 SPA 1610 06-13- 2CHANNEL 1610-28 SLEEVE)	1	256,70	256,70	1,76	
45	M45-45	M10x40 SİPERLİK KONUMLAYICI	M10x40 RETAINER PIN	1	0,30	0,30	0,03	
46	M45-46	13x1150 V KAYIŞI	13x1150 V BELT	1	42,86	42,86	0,14	
47	M45-47	VOLANT	FLYWHEEL	1	26,19	26,19	67,15	
48	M45-48	Ø70xØ16x10mm PUL	Ø70xØ16x10mm WASHER	1	1.901,54	1.901,54	0,29	
49	M45-49	M16 YAYLI RONDELA	M16 SPRING WASHER	2	1,41	2,83	0,69	


50	M45-50	M14x40 ALTIKÖŞEBAŞ LI CİVATA	M14x40 HEXAGON- HEAD BOLT	1	1,19	1,19	0,93	
51	M45-51	AYAK PEDAL MİLİ	Foot Pedal Pin	1	14,29	14,29	0,23	
52	M45-52	KAVRAMA AYIRICI MİLİ	Clutch Separator Pin	1	28,57	28,57	0,86	
53	M45-53	M20 YAYLI RONDELA	M20 Spring Washer	2	0,15	0,30	2,37	
54	M45-54	Ø20 x1.2mm MİL SEGMANI	Ø20 x1.2mm Shaft Ring	1	1,19	1,19	0,16	
55	M45-55	M16 x 40 ALTIKÖŞEBAŞ LI CİVATA	M16 x 40 HEXAGON- HEAD BOLT	1	2,68	2,68	0,13	
56	M45-56	¾" x 60 ALTIKÖŞEBAŞ LI CİVATA	¾" x 60 HEXAGON- HEAD BOLT	6	8,93	53,57	0,23	
57	M45-57	MAKARA	BAR SLIDING	1	66,52	66,52	0,55	
58	M45-58	MAKARA MİLİ	BAR SLIDING SHAFT	1	9,08	9,08	0,38	

59	M45-59	BIÇAK MUHAFAZA	BLADE COVER	1	45,09	45,09	1,09	
60	M45-60	M10x30 ALTIKÖŞEBEŞ Lİ CİVATA	M10x30 HEXAGON- HEAD BOLT	4	0,00	0,00	0,44	
61	M45-61	SİPERLİK	RETAINER	1	251,94	251,94	3,35	
62	M45-62	SİPERLİK MİLİ	RETAINER SHAFT	1	9,52	9,52	0,58	
63	M45-63	M20 KALDIRMA HALKASI	M20 HANDLING RING	1	41,67	41,67	0,11	
64	M45-64	AYAK PEDALI LAMASI	FOOT PEDAL THRUST	1	61,76	61,76	1,00	
65	M45-65	AYAK PEDAL YAYI	FOOT PEDAL SPRING	1	6,25	6,25	0,16	
66	M45-66	AYAK PEDALI	FOOT PEDAL	1	80,81	80,81	2,60	
67	M45-67	M10x50 ALTIKÖŞEBEŞ Lİ CİVATA	M10x50 HEXAGON- HEAD BOLT	2	2,16	4,32	0,53	

68	M45-68	KAVRAMA AYIRICI	CLUTCH SEPARATOR	1	175,90	175,90	1,91	
69	M45-69	KAVRAMA AYIRICI PİM	CLUTCH SEPARATOR PIN	1	23,81	23,81	0,05	
70	M45-70	KAVRAMA PİM YAYI)	CLUTCH SPRING	1	2,08	2,08	1,41	
71	M45-71	M10 SOMUN	M10 NUT	2	0,74	1,49	0,13	
72	M45-72	SINIRLAMA LAMASI	LIMIT THRUST	1	6,85	6,85	0,21	
73	M45-73	M20 PUL	M20 NUT	5	1,93	9,38	0,22	
74	M45-74	Ø20xØ10,5x19mm AYAR PULU	Ø20xØ10,5x19mm ADJUSTMENT RING	2	1,93	3,86	0,30	
75	M45-75	M24 PUL	M24 WASHER	2	1,64	3,28	0,00	
76	M45-76	ARKA KAPAK	BACK COVER	1	380,37	380,37	17,81	

77	M45-77	M10 PUL	M10 WASHER	4	2,23	6,70	0,46	
78	M45-78	M16 RONDELA	M16 WASHER	1	2,68	2,68	0,11	
79	M45-79	M12x213 SAPLAMA	M12x213 STUD	1	2,68	2,68	0,19	
80	M45-80	Ø185 TEKERLEK	Ø185 WHEEL	4	96,43	386,02	1,89	
81	M45-81	4x35mm KUPİLYA	4x35mm R- CLIPS	4	0,15	0,45	0,49	
82	M45-82	M12 SOMUN	M12 NUT	4	0,15	0,60	0,20	
83	M45-83	ŞALTER KUTUSU	SWITCH BOX	1	61,76	61,76	0,24	
84	M45-84	MOTOR KORUMA ŞALTERİ	MOTOR PROTECTION SWITCH	1	451,65	451,65	0,24	
85	M45-85	GÜÇ FİŞİ	POWER PLUG	1	163,99	163,99	0,19	

86	M45-86	3-8 DÜZ GRESÖRLÜK	3-8 STRAIGHT GREASER	7	0,15	0,60	0,01	
87	M45-87	3-8 DİK GRESÖRLÜK	3-8 PERPENDICUL AR GREASER	1	0,15	0,15	1,58	
88	M45-88	MAKARA BAĞLANTI LAMASI	ROLLER CONNECTION PLATE	1	28,57	28,57	1,44	
89	M45-89	BIÇAK DAYAMA PARÇASI	CUTTER BLOCK PART	1	2,38	2,38	0,20	
90	M45-90	BIÇAK KORUMA LAMASI	CUTTER BLOCK THRUST	1	0,89	0,89	0,05	
91	M45-91	M6x15 ŞAPKALI CİVATA	M6x15 CAP BOLT	4	0,30	1,04	1,11	
92	M45-92	M6 SOMUN	M6 NUT	4	0,30	1,04	0,00	
93	M45-93	KAVRAMA AYIRICI	CLUTCH SEPARATOR	1	180,66	180,66	0,63	
94	M45-94	M24 x 2.0 SOMUN	M24 x 2.0 NUT	4	1,49	5,65	0,15	

95	M45-95	M12 YAYLI RONDELA	M12 SPRING WASHER	4	0,15	0,45	0,46	
----	--------	----------------------	----------------------	---	------	------	------	---