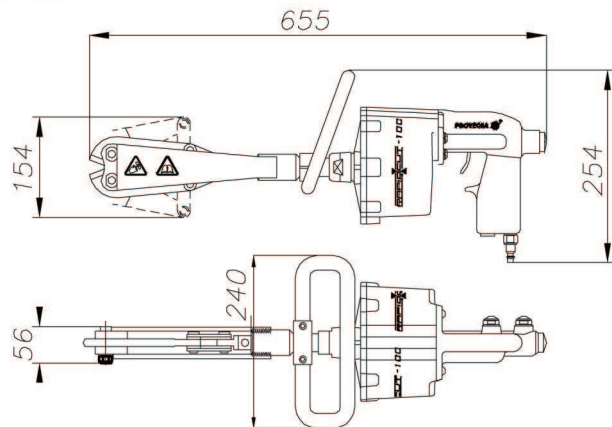


RAPIDCUT -10C

TECHNICAL FEATURES

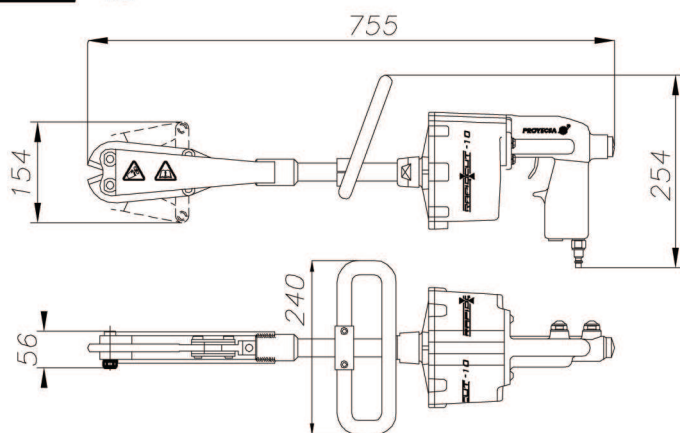
POWER SUPPLY.....Filtered,lubricated air
 CONSUMPTION.....15 Lt./cut at 7 bar
 MAXIMUM Ø CUT.....10Ø (Steel up to 70 Kg./mm²)
 High tensile wire.....6Ø (Steel up to 180 Kg./mm²)
 Prestressing strand max.9.3Ø 3/8" (7x3Ø) (max.180 Kg./mm²)
 SPEED.....40 Cuts/minute
 MAXIMUM PRESSURE.....8.5 bar
 MINIMUM PRESSURE.....6 bar
 WEIGHT.....7.5 Kg.



RAPIDCUT -10

TECHNICAL FEATURES

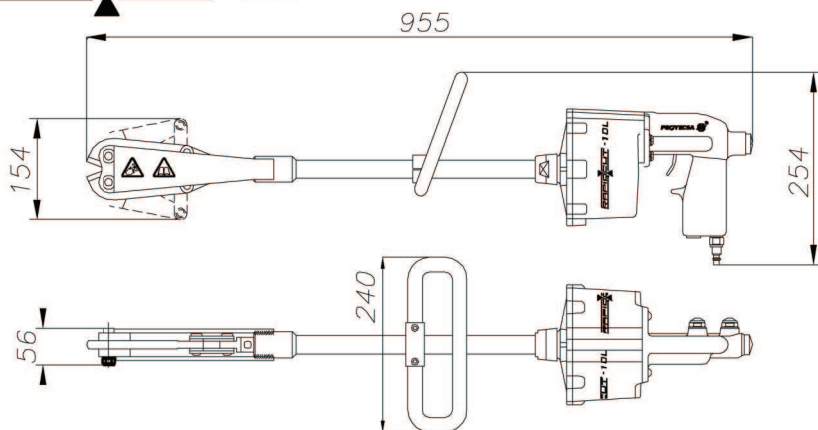
POWER SUPPLY.....Filtered,lubricated air
 CONSUMPTION.....15 Lt./cut at 7 bar
 MAXIMUM Ø CUT.....10Ø (Steel up to 70 Kg./mm²)
 High tensile wire.....6Ø (Steel up to 180 Kg./mm²)
 Prestressing strand max.9.3Ø 3/8" (7x3Ø) (max.180 Kg./mm²)
 SPEED.....40 Cuts/minute
 MAXIMUM PRESSURE.....8.5 bar
 MINIMUM PRESSURE.....6 bar
 WEIGHT.....8 Kg.



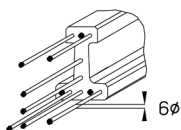
RAPIDCUT -10L

TECHNICAL FEATURES

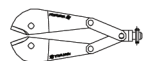
POWER SUPPLY.....Filtered,lubricated air
 CONSUMPTION.....15 Lt./cut at 7 bar
 MAXIMUM Ø CUT.....10Ø (Steel up to 70 Kg./mm²)
 High tensile wire.....6Ø (Steel up to 180 Kg./mm²)
 Prestressing strand max.9.3Ø 3/8" (7x3Ø) (max.180 Kg./mm²)
 SPEED.....40 Cuts/minute
 MAXIMUM PRESSURE.....8.5 bar
 MINIMUM PRESSURE.....6 bar
 WEIGHT.....8.5 Kg.



APPROPRIATE BLADE TYPE



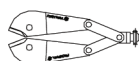
MAX. 6Ø



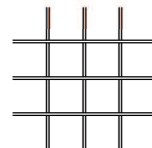
REF. 1280TM
 For high tensile wire
 Up to 180 Kg./mm²



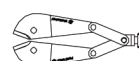
MAX. 7x3Ø



REF. 1280TM
 For prestressing strand
 Up to 180 Kg./mm²



MAX. 10Ø



REF. 1260TM
 For rebar and mesh
 Up to 70 Kg./mm²