

Hydraulic pump

HY85-160



PUMP SPECIFICATIONS	Mod. A	Mod. B
Capacity [m ³ /h]	250	460
Head [m]	56	48
Impeller diameter [mm]/type	440/3blades closed	
Flanged bore size [DN.../PN...]	DN200/PN10	DN250/PN10
Cross section diameter [mm]	60	
Weight [kg]	820	840

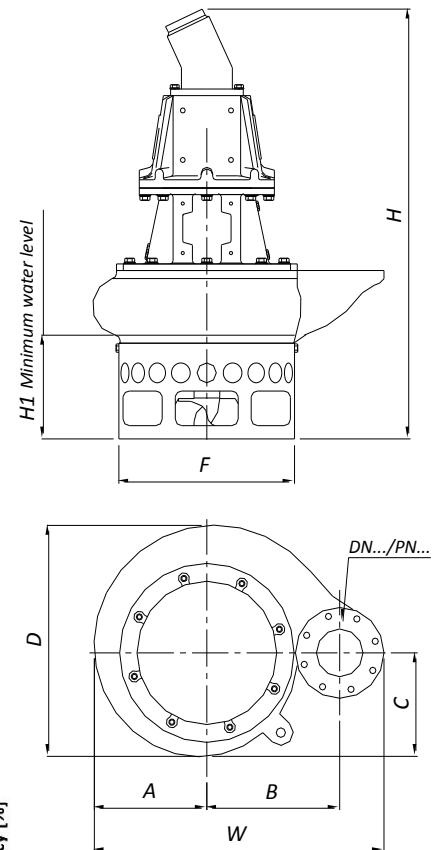
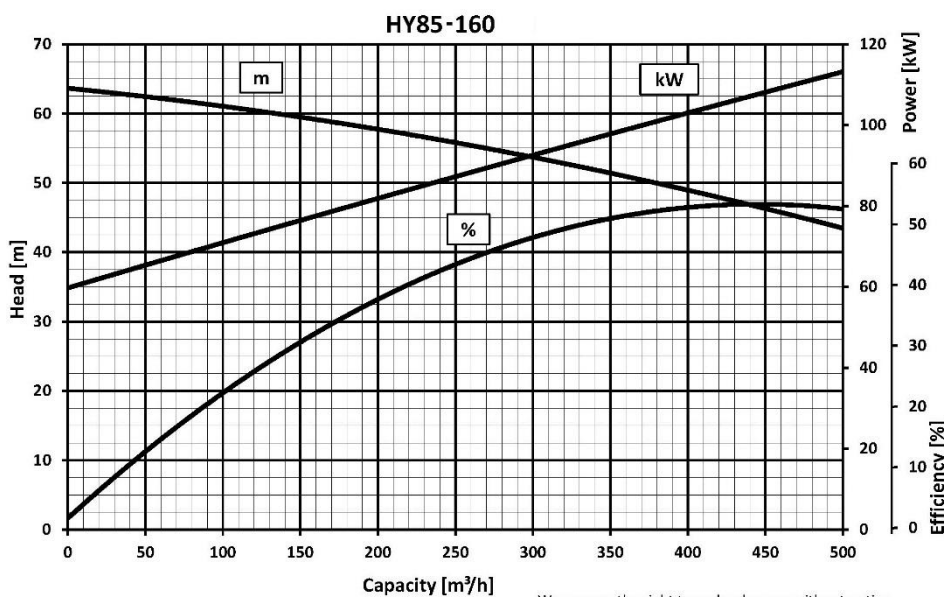
HYDRAULIC MOTOR	
Motor displacement [cc]	160
Max. oil flow rate[l/min]	240
Max. pressure [bar]	300
Power [kW-HP]	120-165
Speed [RPM]	1450

MATERIALS	
Casing	Spheroidal cast iron EN-GJS-800-2 (EN 1563)
Motor housing	Cast iron EN-GJL-250 (EN 1561)
Wear parts	High chrome EN-GJN-HV600 (XCr18) (EN 12513)
Main shaft	High tensile steel 39NiCrMo3 (AISI 9840)

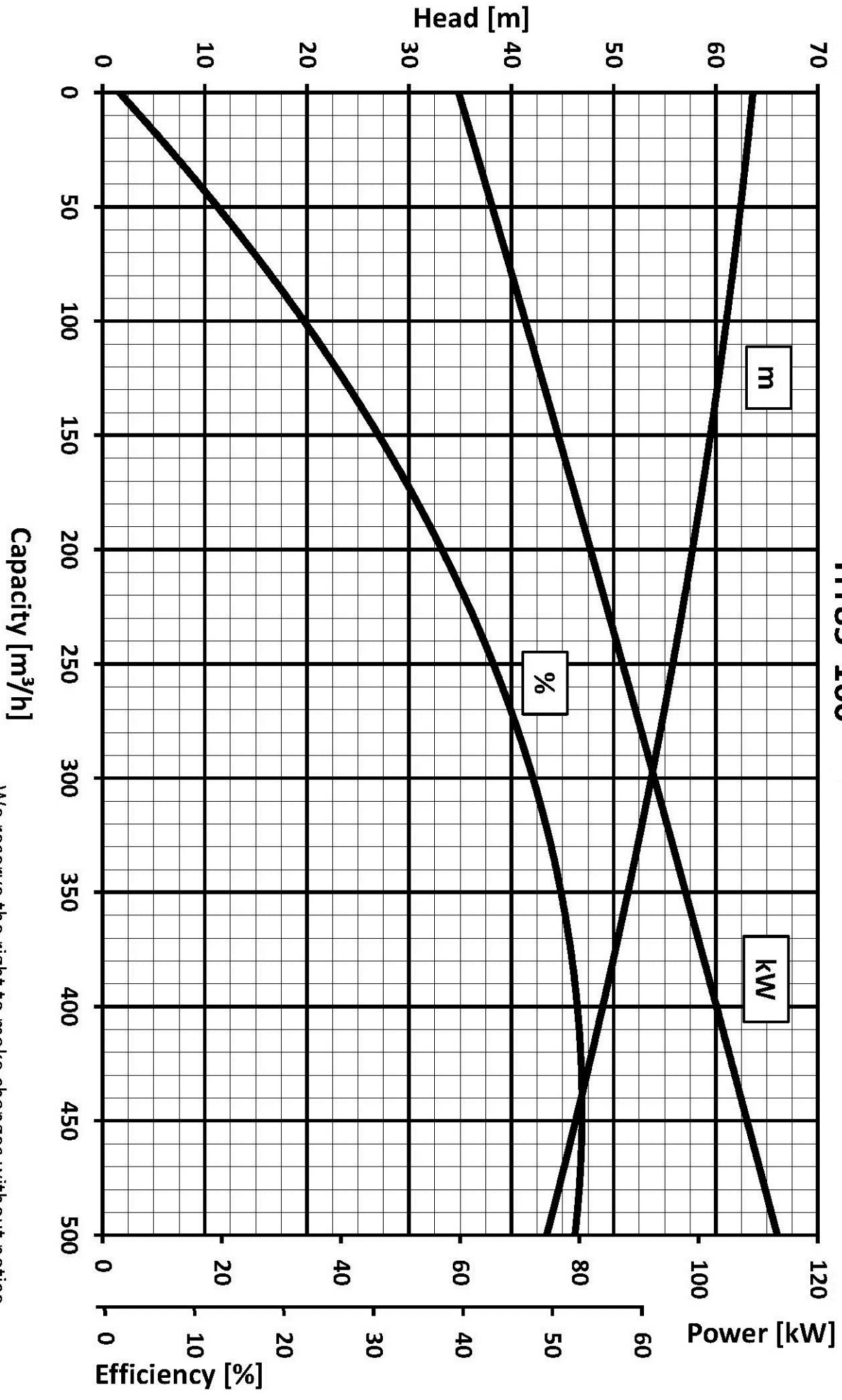
SEALS / LUBRICANT	
Motor side seals	2 lip seals (2 BUNA)
Impeller side seals	5 lip seals (3 BUNA + 2 PTFE) + 1 V-RING (TPU)
Oil type	ISO 320

DIMENSIONS [mm]							
H	W	D	F	H1	A	B	C
1390	933	747	548	290	362	428	197

PERFORMANCE CURVES



HY85-160



We reserve the right to make changes without notice