




Language Index

- 1. English**
- 2. Italian**
- 3. Thai**
- 4. Russian**
- 5. Danish**



LPG/PROPANE POWER GENERATORS

OPERATING AND MAINTENANCE ORIGINAL INSTRUCTIONS

-  **Greengear power generators Models: GE-2000M, GE2000, GE3000M, GE-3000, GE-3000MUK, GE-3000UK, GE5000M, GE5000, GE-5000UK, GE-5000MUK, GE-6000M, GE6000, GE-6000UK, GE-6000MUK, GE-6000TM, GE-6000T, GE-7000M, GE-7000, GE-7000MUK, GE-7000UK, GE-7000TM, GE-7000T.**





Thank you for purchasing a Greengear Global LPG/Propane powered generator!

We want to help you get the best results from your new generator and to operate it safely. This manual contains the information on how to do that; please read it carefully.

This owner's manual describes the operation and maintenance of the LPG/Propane powered Generator series. All information in this publication is based on the latest product information available at the time of printing, Greengear Global Srl. reserves the right to make changes at any time without notice and without incurring any obligation. No part of this publication may be reproduced without written permission. This manual should be considered a permanent part of the generator and should remain with it.

We hope you enjoy your new generator!

Best Wishes,

Greengear Global Srl.

CONTENTS

1. SAFETY PRECAUTION	5
2. DESCRIPTION	10
3. SPECIFICATIONS	11
4. ASSEMBLY AND PRE-OPERATION CHECKS	16
5. OPERATING PROCEDURES	23
6. WATTAGE INFORMATION	29
7. MAINTENANCE	30
8. STORAGE AND TRANSPORTATION	36
9. TROUBLESHOOTING	37
10. WIRING DIAGRAM	38
11. VOLTAGE DROP IN ELECTRIC EXTENSION CORDS	40

1. SAFETY PRECAUTION

When using LPG/PROPANE equipment (hereinafter “Equipment”), basic safety precautions, including the following, should always be followed to reduce the risk of serious personal injury and/or damage to the Equipment and/or damage to properties. Read all these instruction before operating this product and retain these instructions for future reference. The following precautions are essential for your safety, however the list is not exhaustive. Always use the Equipment in a reasonable and responsible manner and be aware that the user is responsible for accidents involving third parties or their property.

ALL THE SYMBOLS BELOW ARE MARKED ON THE PRODUCT



Read Operator's Manual.



Caution: Engine hot.



Toxic fumes, do not operate in a confined space.



Always stop the engine and allow to cool before replacing the gas cylinder.



Generator must be connected to a suitable ground.



Do not operate in wet conditions.



To avoid back feeding into utility systems, isolation of the residence electrical system is required.



WARNING:

This machine produces an electromagnetic field during operation. This field may under some circumstances interfere with active or passive medical implants. To reduce the risk of serious or fatal injury, we recommend persons with medical implants to consult their physician and the medical implant manufacturer before operating this machine.

Training

- ⚠ **If you are tired, ill, or under the influence of alcohol, drugs or medications do not operate the Equipment.**
- ⚠ **Read the instructions carefully. Be familiar with the controls and the proper use of the Equipment.**
- ⚠ **Never allow children or people unfamiliar with these instructions to use the Equipment. Local regulations can restrict the age of the operator.**
- ⚠ **Keep in mind that the operator or user is responsible for accidents or hazards occurring to other people or their property.**
- ⚠ **Only give or lend the Equipment, including any accessories to persons who are familiar with this model and know how to operate it. The operation manual and original instructions forms part of the machine and must always be provided to persons borrowing it.**

Preparation

- ⚠ Before use, remove any plastic bags and all packaging materials and keep them out of children's reach.
- ⚠ Inspect the Equipment before use. Report any missing components and replace damaged parts. Do not operate the unit with loose or damaged parts.

Operation

- ⚠ Use this Equipment only for its intended purpose. Its use for others purpose is not permitted and may be dangerous or result in damage to the Machine.
- ⚠ Do not operate the engine in a confined space where dangerous carbon monoxide fumes can collect;
- ⚠ Do not change the engine governor settings or over speed the engine;
- ⚠ Start the engine carefully according to instructions
- ⚠ Do not tilt the equipment when starting the engine;
- ⚠ Do not touch wires while engine is running: electrical shock can cause injury.

Maintenance and storage

- ⚠ Keep all nuts, bolts and screws tight to be sure the equipment are in safe working condition;
- ⚠ Never store the equipment with LPG/PROPANE cylinder inside a building where fumes can reach an open flame or spark. Never leave in direct sunlight. Never store at temperature above 49 °C (120 degrees F°).
- ⚠ Exhaust contains poisonous carbon monoxide gas that can build up to dangerous levels in closed areas. Breathing carbon monoxide can cause unconsciousness or death.
- ⚠ Allow the engine to cool before storing in any enclosure: hot parts can cause severe burns.
- ⚠ Replace worn or damaged parts for safety;
- ⚠ Always keep warning and information stickers clean and readable.

**WARNING**

Replace the LPG/Propane cylinder in a well-ventilated area with the engine stopped.

GREENGEAR GLOBAL SRL assumes no liability for material or personal damage caused by the non-observance of information contained in the operator's manual, in particular in regard to safety, operation and maintenance, or which arise through the use of unauthorized attachment or spare parts. Any damage caused by non-compliance with the safety, operating and maintenance instructions is the sole responsibility of the user.

GREENGEAR GLOBAL SRL also reserves the right to modify the description in this instruction manual at any time and without prior notice. Reproduction, transmission or translation into another language partially in any form of this manual is absolutely forbidden without prior written consent by GREENGEAR GLOBAL SRL.



WARNING Read this manual carefully.



WARNING Do not operate the generator near stored petrol or gaseous fuel.



WARNING LPG/PROPANE is highly flammable, and its vapors can explode if ignited.



WARNING Do not smoke or use open flame near the work area.



WARNING Always stop the engine and allow it to cool before replacing the LPG/PROPANE cylinder.



WARNING Do not place flammable material near the generator.



WARNING

Do not operate the generator inside an enclosed or insufficiently ventilated area. Always operate it in a well-ventilated area, otherwise the engine may become overheated, and the poisonous carbon monoxide gas contained in the exhaust gases will endanger human lives. Keep the generator at least 1 meter (3 feet) away from any structure or building during use. If the generator must be used indoors, the area must be well-ventilated and extreme caution must be taken regarding the discharge of exhaust gases.



WARNING

Do not enclose the generator nor cover it with a box. The generator has a built-in forced air cooling system, and overheats if it is enclosed.



WARNING

Operate the generator on a level surface. It is not necessary to prepare a special foundation for the generator. However, the generator will vibrate on an irregular surface, so choose a level area without surface irregularities. If the generator is tilted or moved during operation, the generator may tip over, causing a hazardous situation. Proper lubrication cannot be expected if the generator is operated on a steep incline or slope. In such a case, piston seizure may occur even if the oil is above the upper level.



WARNING

Pay attention to the wiring or extension cords from the generator to the connected device. If the wire is under the generator or in contact with a vibrating part, it may break and possibly cause a fire, generator burnout, or electric shock hazard. Replace damaged or worn cords immediately.



WARNING

Do not operate in rain, wet or damp conditions, or with wet hands. The operator may suffer severe electric shock if the generator is wet.

**WARNING****WARNING**

Be extremely careful that all necessary electrical grounding procedures are followed during each and every use. Failure to do so can be fatal.

**WARNING**

Do not connect the generator to a commercial power line. Connection to a commercial power line may short circuit the generator and damage it or cause an electric shock hazard. Use the transfer switch for connecting to a domestic circuit.

**WARNING**

Do not smoke while handling the battery. The battery emits flammable hydrogen gas, which can explode if exposed to electric arcing or open flame. Keep the area well-ventilated and keep open flames/sparks away when handling the battery.

**WARNING**

Engine becomes extremely hot during and for some time after operation. Keep combustible materials well away from generator area. Be very careful not to touch any parts of the hot engine especially the muffler area or serious burns may result. Keep children and all bystanders at a safe distance from work areas.

**WARNING**

It is absolutely essential that you know the safe and proper use of the power tool or appliance that you intend to use. All operators must read, understand and follow the tool/appliance owner's manual. Tool and appliance applications and limitations must be understood. Follow all directions given on labels and warnings. Keep all instruction manuals and literature in a safe place for future reference.

**WARNING**

Use only "LISTED" extension cords. When a tool or appliance is used outdoors, use only extension cords marked "For Outdoor Use".

**WARNING**

Always switch off generator's fuse breaker and disconnect tools or appliances when not in use, before servicing, adjusting, or installing accessories and attachments.

2. DESCRIPTION

GE-2000M, GE-2000, GE-3000M, GE-3000, GE-3000MUK, GE-3000UK

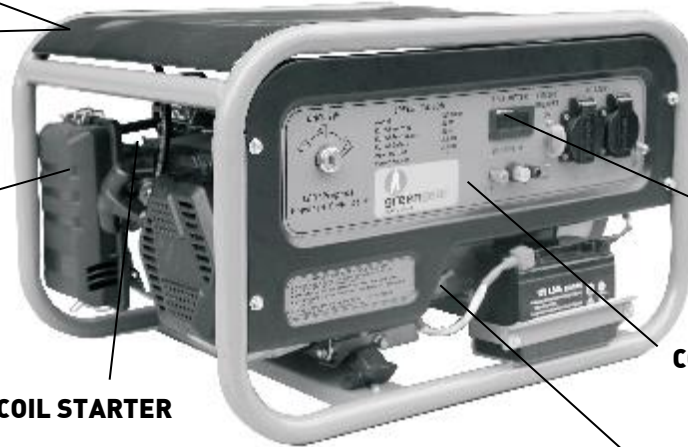
The sockets shown in the picture below, are only indicative. Please see details of products in the page below.



GAS INLET

AIR CLEANER

RECOIL STARTER



FRAME

DIGITAL DISPLAY WITH
BUTTON TO SHOW:
VOLTAGE, FREQUENCY,
HOURS

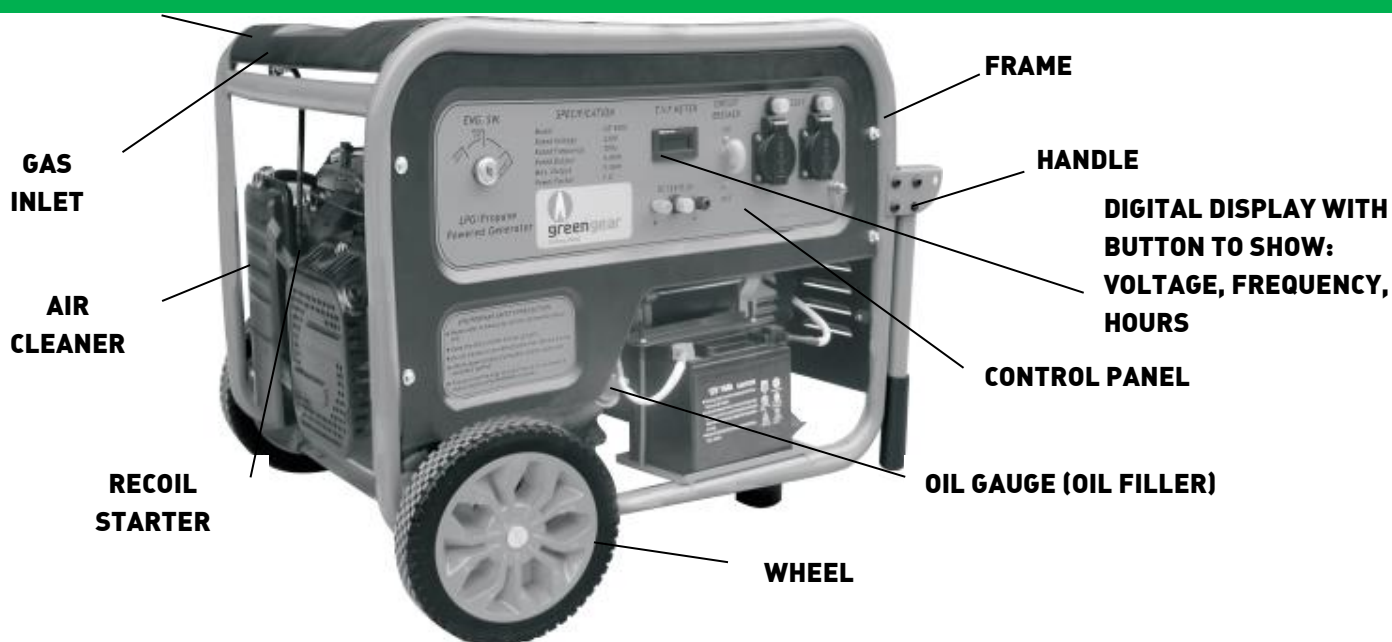
CONTROL PANEL

OIL GAUGE (OIL FILLER)

GE-5000M, GE-5000, GE-5000UK, GE-5000MUK, GE-6000M, GE-6000, GE-6000UK, GE-6000MUK, GE-6000TM, GE-6000T, GE-7000M, GE-7000, GE-7000MUK, GE-7000UK, GE-7000TM, GE-7000T

The sockets shown in the picture below, are only indicative. Please see details of products in the page below.





3. SPECIFICATIONS

Generator model	GE-2000M	GE-2000	GE-3000M	GE-3000	GE-3000MUK	GE-3000UK
Engine model	GG3GN	GGN3GN	GG3GN	GG3GN	GG3GN	GG3GN
Engine type	OHV,25°tilt, Single Cylinder, Forced Air Cooling,4-Stroke					
Bore x stroke(mm)	68 x 54	68 x 54	68 x 54	68 x 54	68 x 54	68 x 54
Displacement(cc)	212	212	212	212	212	212
Ignition type	T.C.I.					
Compression ratio	8.5:1	8.5:1	8.5:1	8.5:1	8.5:1	8.5:1
Fuel type	LPG/Propane	LPG/Propane	LPG/Propane	LPG/Propane	LPG/Propane	LPG/Propane
Starting system	Recoil start	Electric start	Recoil start	Electric Start	Recoil Start	Electric Start
LPG/propane technology	ENERKIT BASIC					
Pressure range for inlet LPG	0.15-2.5Mpa / 1.0 – 2.5 BAR					
Consumption*(g/kWh)	↑523	↑523	↑441	↑441	↑441	↑441
Voltage (V)	230	230	230	230	230	110/230
Max output (KW)	2.2 (3 HP)	2.2 (3HP)	3.1 (3.8 HP)	3.1 (3.8 HP)	3.1 (3.8 HP)	3.1 (3.8 HP)
Rated output (KW)	2.0 (2.7 HP)	2.0 (2.7 HP)	2.8 (3.4 HP)	2.8 (3.4 HP)	2.8 (3.4 HP)	2.8 (3.4 HP)
Rated current (A)	9	9	11.5	11.5	11.5	11.5
Rated frequency (Hz)	50Hz	50Hz	50Hz	50Hz	50Hz	50Hz
Power Factor (cos φ)	1.0	1.0	1.0	1.0	1.0	1.0
Oil volume (L)	0.6 (0.16 gal)	0.6 (0.16)	0.6(0.16 gal)	0.6 (0.16)	0.6 (0.16)	0.6(0.16 gal)

		gal)		gal)	gal)	
Continuous run time	Depends on the type of the LPG/Propane Cylinder size.					
Nett weight (kg/lbs.)	43.5/96	43.5/96	49/108	49/108	49/108	49/108
Package dimension (LxWxH) (mm)	605x445x420 23.8"x17.5"x16.5"					

*Data depends on environment conditions and on the quality of the fuel (LPG, Propane, Butane, etc.)

Generator model	GE-5000M	GE-5000	GE-5000MUK	GE-5000UK	GE-6000M	GE-6000
Engine model	GG4GN	GGN4GN	GG4GN	GG4GN	GG5GN	GG5GN
Engine type	OHV,25°tilt, Single Cylinder, Forced Air Cooling,4-Stroke					
Bore x stroke(mm)	88x64	88x64	88x64	88x64	90x66	90x66
Displacement(cc)	389	389	389	389	420	420
Ignition type	T.C.I					
Compression ratio	8.5:1	8.5:1	8.5:1	8.5:1	8.5:1	8.5:1
Fuel type	LPG/Propane	LPG/Propane	LPG/Propane	LPG/Propane	LPG/Propane	LPG/Propane
Starting system	Recoil start	Electric start	Recoil start	Electric start	Recoil start	Electric start
LPG/propane technology	ENERKIT BASIC					
Pressure range for inlet LPG	0.15-2.5Mpa / 1.0 – 2.5 BAR					
Consumption*(g/kWh)	↑398	↑398	↑398	↑398	↑235	↑235
Voltage (V)	230	230	115/230	115/230	230	230
Max output (KW)	5.5 (7.4 HP)	5.5 (7.4 HP)	5.5 (7.4 HP)	5.5 (7.4 HP)	6.5 (8.7 HP)	6.5 (8.7 HP)
Rated output (KW)	5 (6.7 HP)	5 (6.7 HP)	5 (6.7 HP)	5 (6.7 HP)	6.0 (8 HP)	6.0 (8 HP)
Rated current (A)	21.7	21.7	21.7	21.7	26	26
Rated frequency (Hz)	50	50	50	50	50	50
Power Factor (cos φ)	1.0	1.0	1.0	1.0	1.0	1.0
Oil volume (L)	1.1 (0.3 gal)	1.1 (0.3 gal)	1.1 (0.3 gal)	1.1 (0.3 gal)	1.1 (0.3 gal)	1.1 (0.3 gal)

Continuous run time	Depends on the type of LPG/Propane Cylinder					
Nett weight (kg/lbs.)	93/205	93/205	93/205	93/205	93/205	93/205
Package dimension (LxWxH) (mm)	700x570x500 27.5"x21.3"x19.6"	700x530x500 27.5"x20.8"x22.4"	700x570x500 27.5"x21.3"x19.6"			700x530x500 27.5"x20.8"x22.4"

* Data depends on environment conditions and on the quality of the fuel (LPG, Propane, Butane, etc.)

Generator model	GE-6000MUK	GE-6000UK	GE-6000TM	GE-6000T	GE-7000M	GE-7000
Engine model	GG5GN	GG5GN	GG5GN	GG5GN	GG6GN	GG6GN
Engine type	OHV,25°tilt, Single Cylinder, Forced Air Cooling,4-Stroke					
Bore x stroke(mm)	90x66	90x66	90x66	90x66	92x67	92x67
Displacement(cc)	420	420	420	420	445	445
Ignition type	T.C.I					
Compression ratio	8.5:1	8.5:1	8.5:1	8.5:1	9.0:1	9.0:1
Fuel type	LPG/Propane	LPG/Propane	LPG/Propane	LPG/Propane	LPG/Propane	LPG/Propane
Starting system	Recoil start	Electric start	Recoil start	Electric start	Recoil start	Electric start
LPG/propane technology	ENERKIT BASIC					
Pressure range for inlet LPG	0.15-2.5Mpa / 1.0 – 2.5 BAR					
Consumption*(g/kWh)	↑523	↑523	↑441	↑398	↑235	↑318
Voltage (V)	115/230	115/230	230/400	230/400	230	230
Max output (KW)	6.5 (8.7 HP)	6.5 (8.7 HP)	6.5 (8.7 HP)	6.5 (8.7 HP)	7.5 (9.8 HP)	7.5 (9.8 HP)
Rated output (KW)	6.0 (8 HP)	6.0 (8 HP)	6.0 (8 HP)	6.0 (8 HP)	7.0 (9.1 HP)	7.0 (9.1 HP)
Rated current (A)	26	26	26	26	30	30
Rated frequency (Hz)	50	50	50	50	50	50
Power Factor (cos φ)	1.0	1.0	1.0	1.0	1.0	1.0
Oil volume (L)	1.1 (0.3 gal)	1.1 (0.3 gal)	1.1 (0.3 gal)	1.1 (0.3 gal)	1.1 (0.3 gal)	1.1 (0.3 gal)
Continuous run time	Depends on the type of LPG/Propane Cylinder					
Nett weight (kg/lbs.)	95/209	95/209	95/209	95/209	95/209	95/209
Package dimension (LxWxH) (mm)	700x570x500 27.5"x21.3"x19.6"					700x530x500 27.5"x20.8"x19.6"

* Data depends on environment conditions and on the quality of the fuel (LPG, Propane, Butane, etc.)

Generator model	GE-7000MUK	GE-7000UK	GE-7000TM	GE-7000T
Engine model	GG6GN	GG6GN	GG6GN	GG6GN
Engine type	OHV, 25° tilt, Single Cylinder, Forced Air Cooling, 4-Stroke			
Bore x stroke(mm)	92x66	92x66	92x66	92x66
Displacement(cc)	420	420	420	420
Ignition type	T.C.I			
Compression ratio	9.0:1	9.0:1	9.0:1	9.0:1
Fuel type	LPG/Propane	LPG/Propane	LPG/Propane	LPG/Propane
Starting system	Recoil start	Electric start	Recoil start	Electric start
LPG/propane technology	ENERKIT BASIC			
Pressure range for inlet LPG	0.15-2.5Mpa / 1.0 – 2.5 BAR			
Consumption*(g/kWh)	↑318	↑318	↑318	↑318
Voltage (V)	110/230	110/230	230/410	230/410
Max output (KW)	7.5 (9.8 HP)	7.5 (9.8 HP)	7.5 (9.8 HP)	7.5 (9.8 HP)
Rated output (KW)	7.0 (9.1 HP)	7.0 (9.1 HP)	7.0 (9.1 HP)	7.0 (9.1 HP)
Rated current (A)	30	30	30	30
Rated frequency (Hz)	50	50	50	50
Power Factor (cos φ)	1.0	1.0	1.0	1.0
Oil volume (L)	1.1 (0.3 gal)	1.1 (0.3 gal)	1.1 (0.3 gal)	1.1 (0.3 gal)
Continuous run time	Depends on the type of LPG/Propane Cylinder size.			
Nett weight (kg/lbs.)	96/211	96/211	96/211	96/211
Package dimension (LxWxH) (mm)	700x570x500 27.5"x21.3"x19.6"			

* Data depends on environment conditions and on the quality of the fuel (LPG, Propane, Butane, etc.)

Standard reference operating conditions:

NOTICE: Generating sets may only be loaded up to their rated power under the rated ambient conditions. The reduction in power is probably due to use in higher temperatures, altitudes and humidity than those given in the reference conditions.

The generator set can start-up and operate at ambient temperatures between -5°C and 40°C, and the standard reference conditions are:

Ambient air temperature	25°C
Ambient air pressure	100 kPa
Relative humidity	30%
Altitude	Less than 1000 m

4. ASSEMBLY & PRE-OPERATION CHECKS

4.1 ASSEMBLY OF WHEELS AND HANDLES

On models: **GE5000M, GE5000, GE-5000UK, GE-5000MUK, GE-6000M, GE6000, GE-6000UK, GE-6000MUK, GE-6000TM, GE-6000T, GE-7000M, GE-7000, GE-7000MUK, GE-7000UK, GE-7000TM, GE-7000T.** Wheels and handles come as standard.

If the Unit comes with a wheel and handle kit, you can connect the wheels, feet and handles with the Tool Kit Provided:

- 🔧 1 x Funnel
- 🔧 2 x Spanners
- 🔧 1 x Plug Spanner
- 🔧 1 x Plug Spanner Lever
- 🔧 1 x Allen key

Handles:

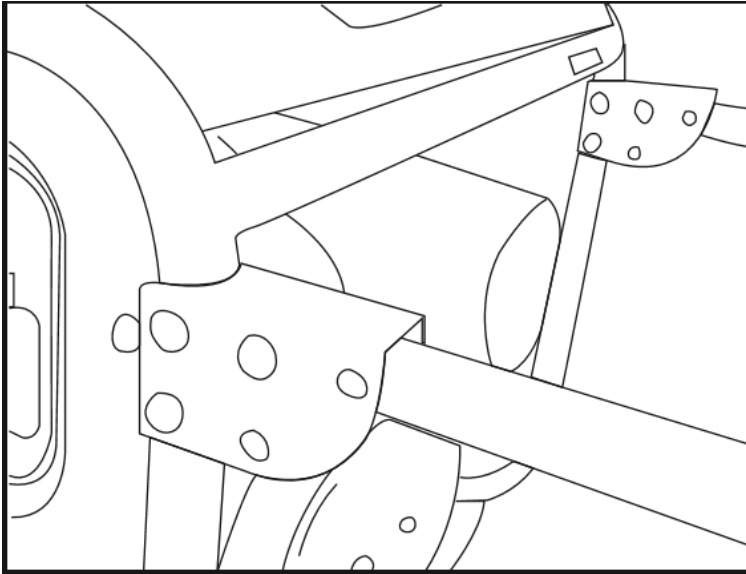
- 🔧 2 x Handles,
- 🔧 6 x Handle Bracket Bolts,
- 🔧 6 x Handle Bracket Nuts,
- 🔧 2 x Handle Brackets

Wheels:

- 🔧 2 x Wheels
- 🔧 2 x Axle Nuts,
- 🔧 2 x 100mm Axle Bolts,
- 🔧 2 x Axle Washers

Feet:

- 🔧 2 x Rubber Feet
- 🔧 2 x Feet Washers,
- 🔧 2 x Feet Bolts,
- 🔧 2 x Feet Nuts,
- 🔧 1 x Mounting Bracket,
- 🔧 2 x Mounting Bracket Bolts,
- 🔧 2 x Mounting Bracket Nuts



⚠ How to attach the handles:

Attach 2 x Handles and Handle brackets using the black 40mm bolts and nuts as per picture

⚠ How to attach the wheels:

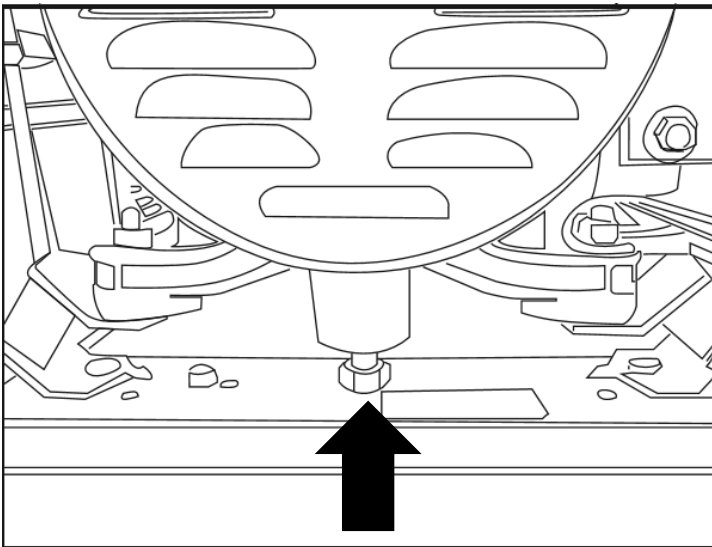
Attach each wheel to the frame using 1 x 100mm bolt and nut

⚠ How to attach the feet:

Attach foot mountings to bottom of frame and bracket using silver 30mm and 20 mm bolts and nuts

4.2 REMOVE TRANSPORTATION BOLT

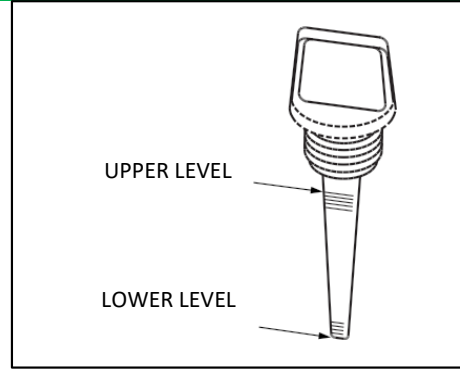
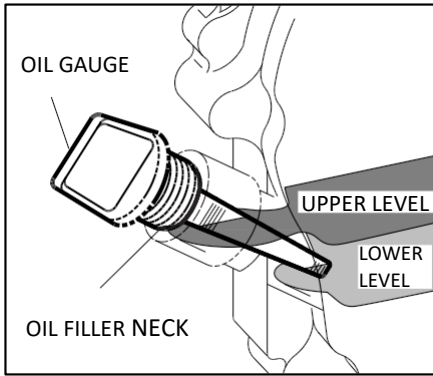
NOTE: This unit is shipped with a transportation bolt, before starting the generator you must remove the center transportation bolt and rubber sleeve (see pictures below) from the engine mounting bracket. Failure to do so could result in serious damage to the generator during operation.



4.3 CHECK ENGINE OIL

NOTE: this unit is shipped without oil in the crankcase. In order to avoid damage to the unit, put oil in the crankcase before you attempt to start the unit for the first time.

- ⚠ Before checking or refilling oil, be sure generator is on a level surface with engine stopped.**
- ⚠ Remove oil filler cap and check the engine oil level.**
- ⚠ If oil level is below the lower level line, refill with suitable oil (see oil table) to upper level line.**
- ⚠ Change oil if contaminated see chapter 7.1.**



Oil capacity:

Power Generators Models GE-2000M, GE2000, GE3000M, GE-3000, GE-3000MUK, GE-3000UK:
0.6 liters (0.16 gal)

Power Generators Models GE5000M, GE5000, GE-5000UK, GE-5000MUK, GE-6000M, GE6000, GE-6000UK, GE-6000MUK, GE-6000TM, GE-6000T, GE-7000M, GE-7000, GE-7000MUK, GE-7000UK, GE-7000TM, GE-7000T: 1.1 liters (0.3 gal)

Recommended engine oil:

Use 4-stroke automotive oil of API service class SE or higher grade (SG, SH or SJ is recommended). SAE 10W-30 or 10W-40 is recommended for general, all-temperature use. If single viscosity oil is used, select the appropriate viscosity for the average temperature in your area.

Oil table:

SINGLE GRADE	5W						
	10W						
	20W						
	#20						
	#30						
						#40	
MULTIGRADE	10W-30						
	10W-40						
AMBIENT T.	-20	-10	0	10	20	30	40°C
	-4	14	32	50	68	86	104°F

4.4 INSTALLING PROPANE/LPG CYLINDER

WARNING: Sulphur, water, dust, etc. are harmful for the engine. If the gas supply source (LPG/PROPANE) contains these harmful elements, the operator must use a filter to remove sulfur, water etc. and ensure a clean gas supply. Otherwise, the engine service lifetime will be shortened.

Use LPG/PROPANE mixtures of only a high quality to prevent engine damage. LPG/PROPANE is a combustible gas; it is colorless and thus invisible to the naked eye. LPG/PROPANE has a harmless odorant added so that it is possible to smell it. The user should be familiar with the smell of LPG/PROPANE (smells like sulphur or rotten eggs). If at any time the smell of LPG/PROPANE is identified, turn the engine off. If the leak persists, remove the LPG/PROPANE cylinder. Never attempt to operate a unit that has a suspected leak.

- ⚠ **Burning LPG/PROPANE produces Carbon Monoxide (CO). CO is invisible, has no smell and can kill you. Operating your generator in an enclosed area can be dangerous.**
- ⚠ **Use only in well ventilated areas. If you experience headache, drowsiness, or nausea, turn unit off and get fresh air quickly.**
- ⚠ **Never use it where people are sleeping.**
- ⚠ **Follow unit instructions for proper use.**
- ⚠ **Keep out of reach of children.**
- ⚠ **Never store at temperatures above 120 degrees F° (49°c).**
- ⚠ **Never store LPG cylinders indoors.**
- ⚠ **Always use cylinder until it is completely empty.**
- ⚠ **Never put in luggage or take on trains or aircraft.**
- ⚠ **When the cylinder is empty please respect local regulations and return to supplier for re-filling or in the case of non-refillable containers contact local refuse hauler or recycle center. Never put empty containers in fire or incinerator. Do not puncture.**

BEFORE USE

- 1) Check cylinder and appliance seals. Discard cylinder if dirt or rust particles are in valve area.
- 2) Turn unit off. Check condition of LPG hose for cracks, abrasion, discoloration or other damage.
- 3) Attach cylinder outdoors away from pilot lights, flames, sparks or other ignition sources. These sources can ignite leaking gas. The cylinder must not be positioned near the exhaust outlet.
- 4) If your cylinder gas connection requires a tool only use the specially designed tool. If your cylinder gas connection is designed to be hand tight take care not to over tighten. Over tightening can damage seals.
- 5) Check for leaks. Put soapy water on connections. Look for bubbles. Listen for hiss of escaping gas. Feel cylinder for extreme cold. Smell for rotten egg odor. Do not use if leaking.
- 6) Read and follow appliance instructions.

DURING

Never use near pilot lights, flames, sparks, or other ignition sources. They can ignite leaking gas.

AFTER USE

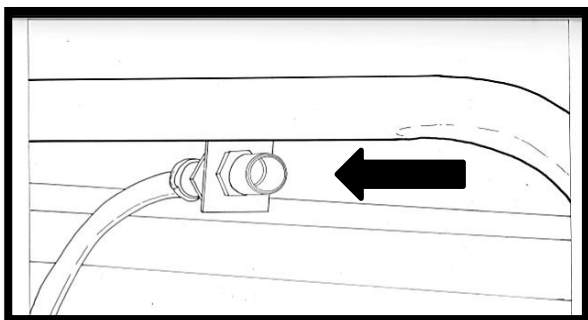
- 1) Turn unit off and let cool.
- 2) Disconnect cylinder when not in use.
- 3) Detach outdoors away from pilot lights, flames, sparks, or other ignition sources, they can ignite leaking gas.
- 4) Replace cap to keep valve clean.

IN CASE OF FIRE

- 1) Leave area quickly and call your local fire department for help.
- 2) Let cylinder burn out.

How to connect LPG/ propane gas supply source (1):

- ⚠ **Keep gas supply source closed.**
- ⚠ **Make sure the engine is off.**
- ⚠ **Connect flexible pipe to gas inlet, Insert the threaded end of the pipe onto the gas inlet and screw it anti- clockwise.**



- ⚠ **Connect regulator to LPG/PROPANE cylinder. Ensure cylinder is on a firm level base.**
- ⚠ **Use wrench to tighten the nut at each end of the gas pipeline until connection is fastened on securely and check the connection for leaks.**
- ⚠ **All gas pipe joints should be tightly secured before operating the machine. Check the joints and gas hose for leakage or breaks, replace the damaged joints and hose if necessary. Check the gas pipeline for any damage before any use. LPG/PROPANE must always be used according to the supplier's instructions.**
- ⚠ **Use only official accessories and components of Greengear Global Srl or Cavagna Group.**

4.5 CHECKING COMPONENT PARTS / GENERATOR SURROUNDINGS

Check the following before starting engine:

- ⚠ **Check that gas supply source is in good condition. Check that the gas inlet connection is tightly fixed and not leaking.**
- ⚠ **Check all bolts and nuts are tight.**
- ⚠ **Check for damaged components.**
- ⚠ **Check that the generator is not resting on or against any adjacent wiring.**
- ⚠ **Check that the area surrounding the generator is clear.**



WARNING Make sure you review each warning in order to prevent a fire hazard.



WARNING Keep area clear of inflammables or other hazardous materials.



WARNING Keep generator at least 1 meter away from buildings or other structures.



WARNING Only operate generator in a dry, well-ventilated area.



WARNING Keep exhaust pipe clear of foreign objects.



WARNING Keep generator away from open flame. No smoking!



WARNING Keep generator on a stable and level surface.



WARNING Do not block generator air vents with paper or other material.

4.6 BATTERY INSTALLATION



WARNING

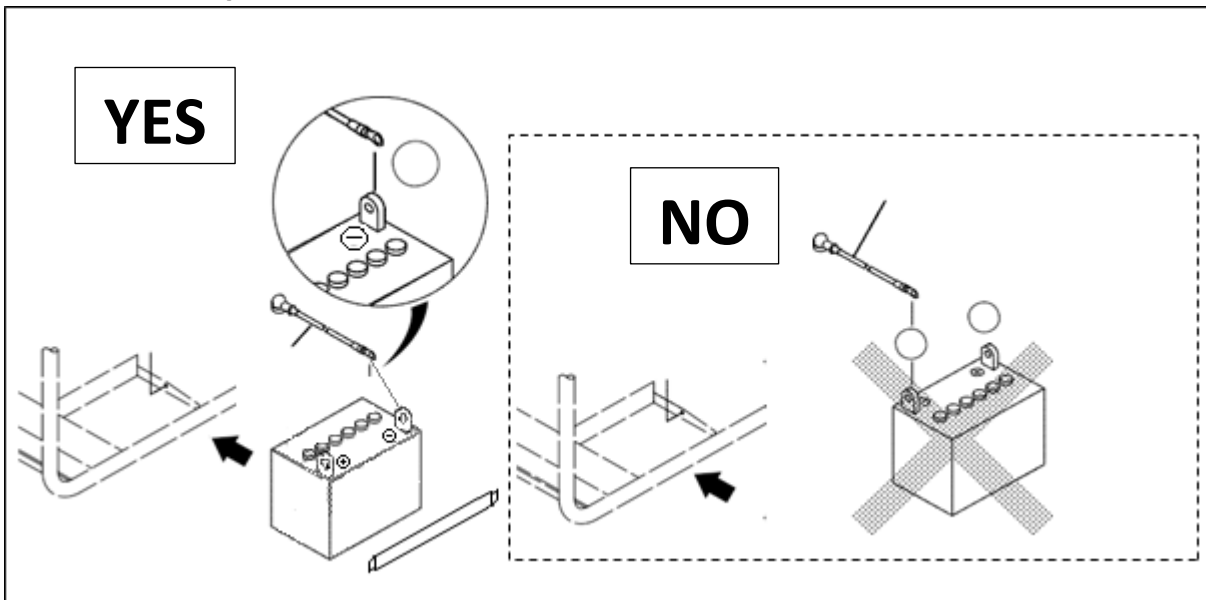
Death, personal injury and/or property damage may occur unless instructions are followed carefully. Use battery of recommended capacity.

Recommended Battery: capacity of 12V-24AH or larger.

Turn the starter switch to the "STOP" position when mounting or dismounting battery. When fitting the battery, connect the positive (+) cable first and then the negative (-) cable to the battery. Be careful not to short battery cables. When removing the battery, disconnect negative (-) cable first.

REDCABLE: Positive (+) terminal

BLACKCABLE: Negative (-) terminal



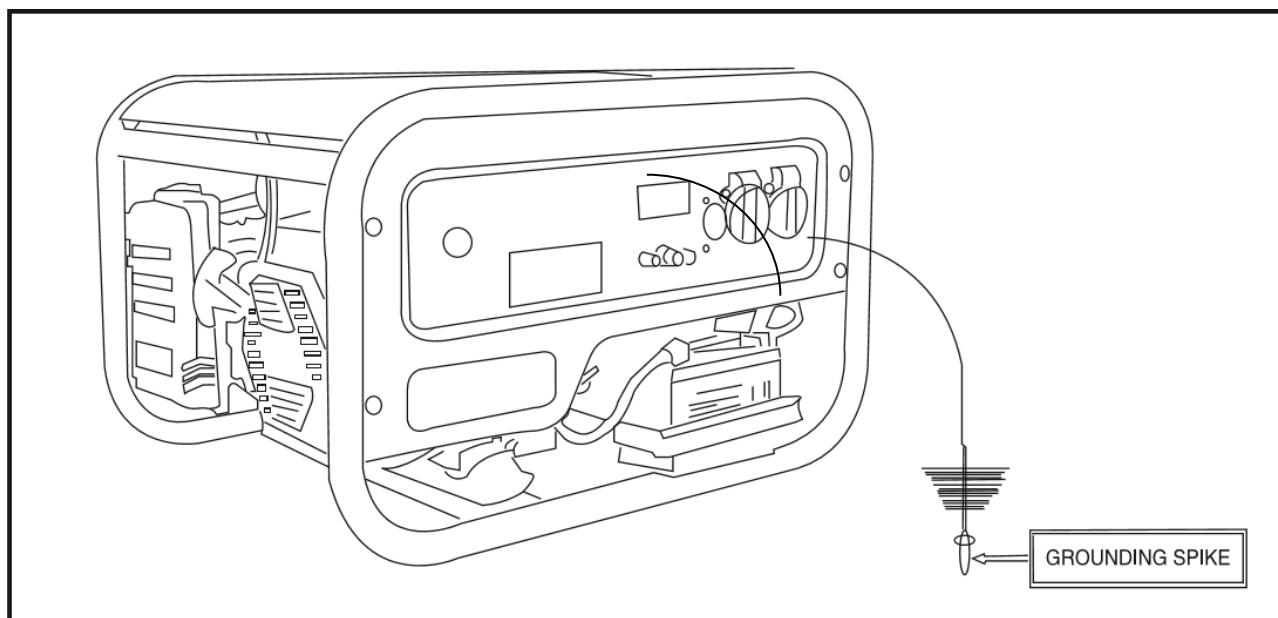
- ⚠ Should the connection be made incorrectly, the generator will malfunction.
- ⚠ Tighten bolts and nuts on terminals securely so they will not be loosened by vibration.
- ⚠ Disconnect battery cables when charging battery.
- ⚠ A trickle/slow charges is recommended.

"HOW TO" INSTALL BATTERY (See "OPTIONAL PARTS")

4.7 GROUNDING THE GENERATOR

To ground the generator to the earth, connect the grounding lug of the generator to the grounding spike driven into the earth or to the conductor which has been already grounded to the earth.

When the generator is connected to household wiring systems the earth terminal of the generator must be connected to the house earth. Certain types of earth systems may also require an earth spike driven into the ground.



Where the generators are used as a portable power supply for domestic and commercial applications using single class 2 double insulated tools and equipment, an earth electrode is not required.

Where class 1 (earthed) equipment is used, a 30mA RCD shall be used to provide protection to the users in the event that the equipment develops a fault to earth. In this application an earth electrode is not required as the fault current is returned by the appliance flex earth conductor to the generator frame and thence the neutral point of the winding, causing the RCD to trip.

5. OPERATING PROCEDURES

5.1 STARTING THE ENGINE

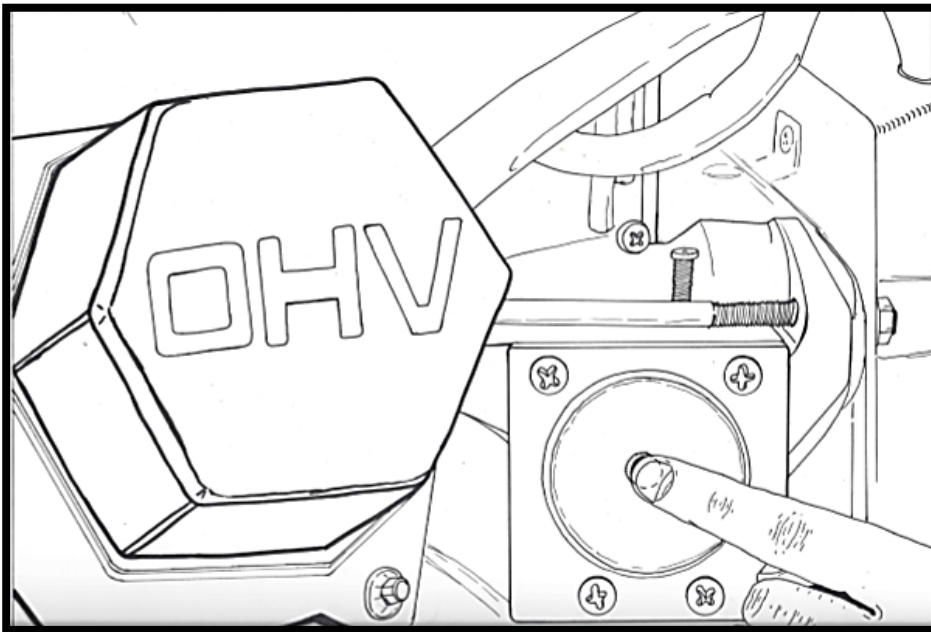
CAUTION: Check the oil level before each operation as outlined to chapter 4.1.

- 1- Open the LPG/PROPANE cylinder by turning the cylinder valve counter-clockwise.
- 2- If fitted, push the re-set button on the regulator.
- 3- Press the primer button on the ENERKIT (as per the below picture) carburetor 1 or 2 times otherwise the engine may be hard starting.

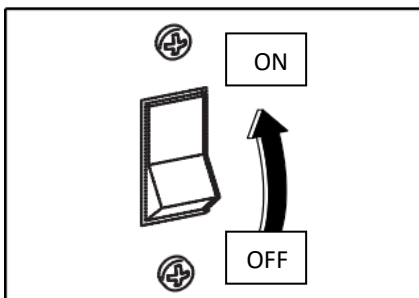


WARNING

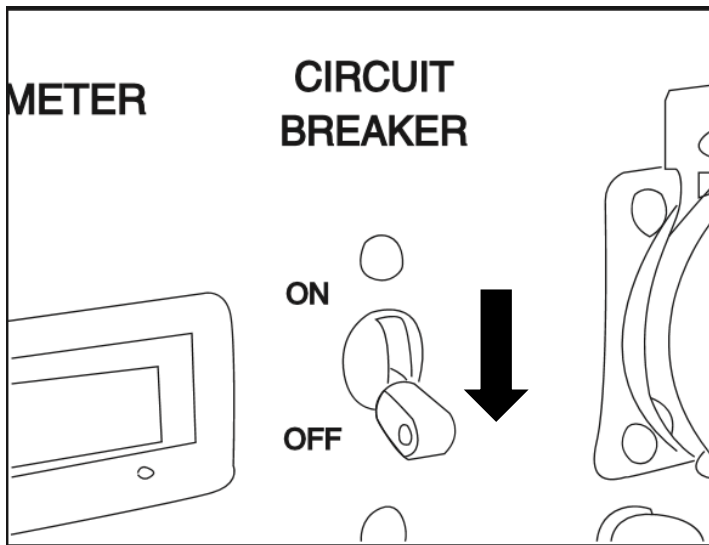
- Pressing the primer button too many times when the engine is off can cause serious problems for the engine.
- Pressing the primer button whilst the engine is on can modify the carburation and change the air/gas mixture causing an increase in emissions and if done for too long can cause serious problems for the engine.



- 4- Turn the engine switch to the position "ON" (only when using recoil starter).

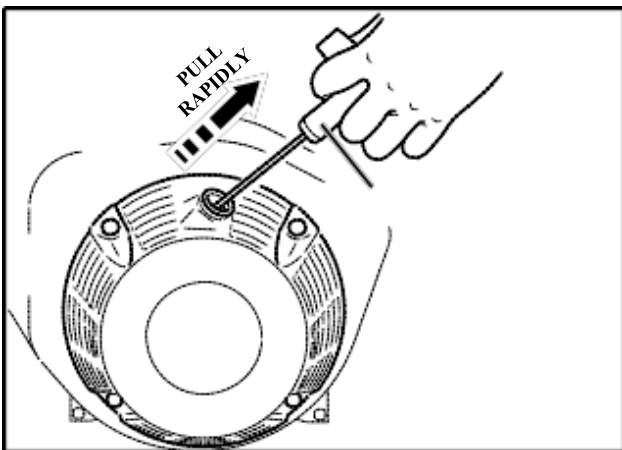


5- Turn the circuit breaker to the "OFF" position when starting the generator.



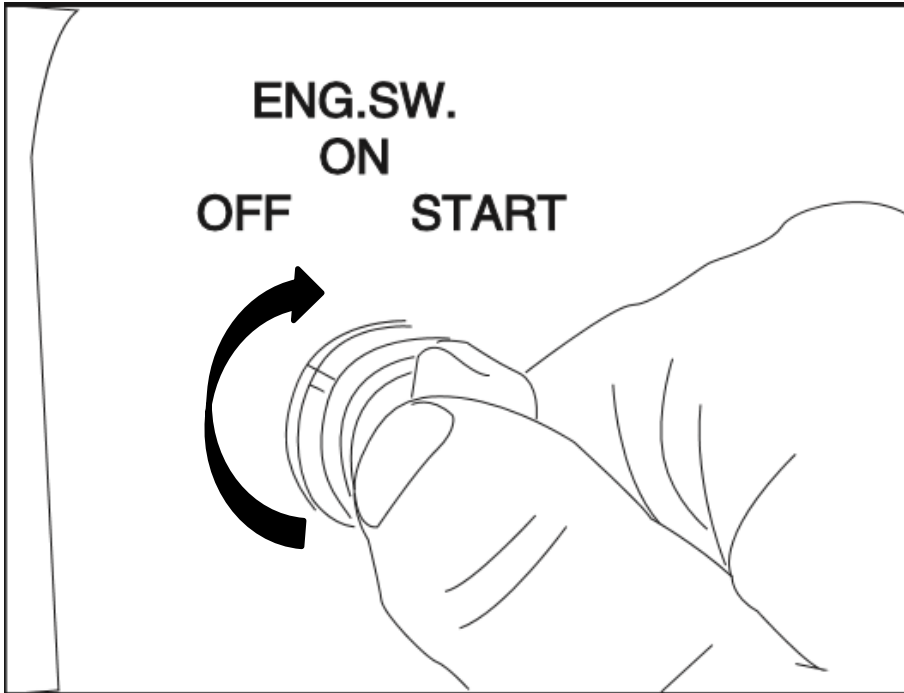
6a) Recoil starter model

Pull the starter handle slowly until resistance is felt. This is the "compression" point. Return the handle to its original position and then pull swiftly. Do not fully pull out the rope. After starting, allow the starter handle to return to its original position while still holding the handle.

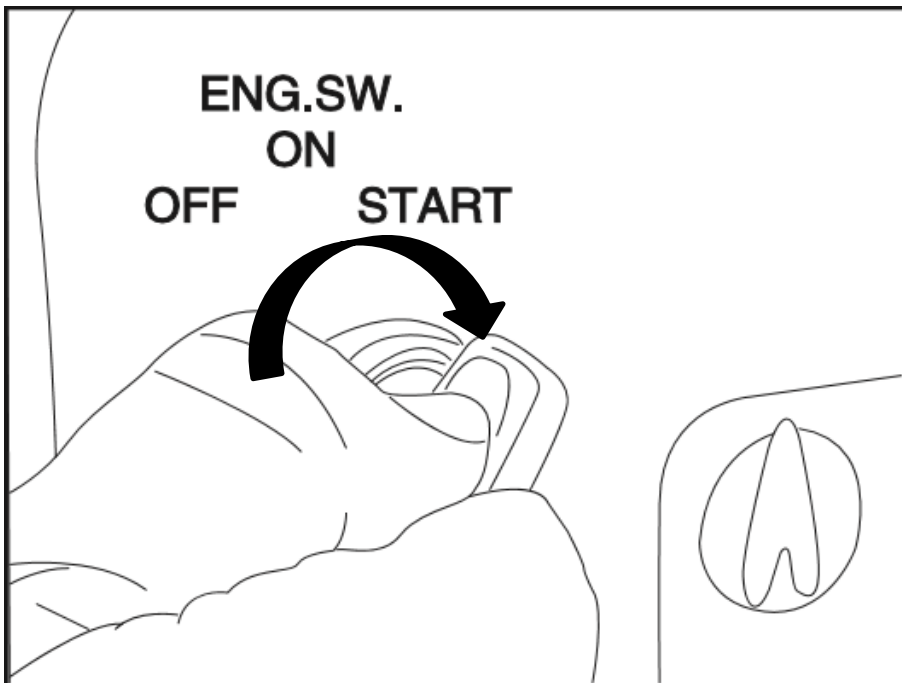


6b) Electric starter model

Insert the key into the key switch and turn it clockwise to the "ON" position to start the engine.



Then turn the key further to the "START" position. The engine will be started by starting motor. **NOTE:** When starting for the first time, use recoil starter until engine runs.



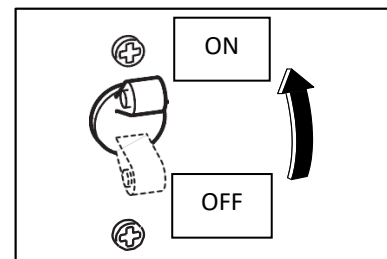
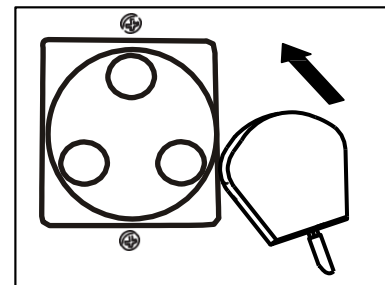
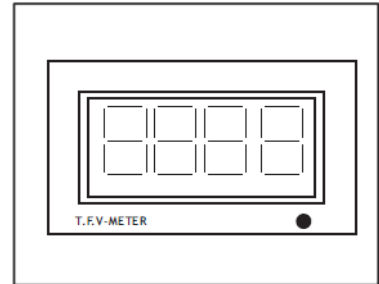
CAUTION: Do not run the starting motor over 5 seconds continuously. If the engine fails to start, return the key to the "ON" position and wait about 10 seconds then start again. Do not turn the key switch to "START" when the engine is running to prevent damage of starting motor. When starting the engine by recoil starter, set the key switch at the "ON" position and pull the starter handle.

5.2 USING ELECTRIC POWER

WARNING: Make sure that the appliance is switched OFF before connecting it to the generator. Do not move the generator while it is running. Be sure to ground the generator if the connected appliance is grounded. Failure to ground unit may lead to electrical shock.

AC APPLICATION

- a) Check the voltmeter for proper voltage. This generator is thoroughly tested and adjusted in the factory. If the generator does not produce the specified voltage, consult your nearest branch.
- b) Turn off the switch of the electrical appliance before connecting to the generator.
- c) Insert the plug of the electrical appliance(s) into the socket. Check the amperage of the plugs and extension cords used referring to TABLE on page.33 (chapter 11) and be sure not to take a current exceeding the specified amperage. Be sure that the total wattage of all appliances does not exceed the rated output of the generator.
- d) Turn the switch of the appliance ON.



NOTE: When the circuit breaker turns off during operation, the generator is over loaded or the appliance is defective. Stop the generator immediately, check the appliance and / or generator for overloading.

CONNECTING TO DOMESTIC CIRCUITS (HOUSE WIRING)



WARNING

This generator is neutrally grounded. If a generator is to be connected to residential or commercial power lines, such as a stand-by power source during power outage, all connections must be made by a licensed electrician. In accordance with the latest editions BS7671 IET wiring regulations, failure in connection may result in death, personal injury, and damage to generator, damage to appliances, and damage to the building's wiring or fire.

When connecting the generator to a house wiring, generator output power must be taken from the 220V socket.

Install a transfer switch. A transfer switch must be installed to transfer the load from the commercial power source to the generator. This switch is necessary to prevent accidents caused by the recovery from power outage. Use a transfer switch of the correct capacity. Install transfer switch between the meter and the fuse or AC breaker box.

CAUTION: If the neutral wire of house wiring is grounded, be sure to ground the ground terminal of the generator. Otherwise an electric shock may occur to the operator.

DC APPLICATION

Charging the battery

NOTE: It might be necessary to charge the battery directly after purchase. It is recommended to fully charge the battery with a battery charger on the first charge.

Connect positive (red) terminal on generator to positive (+) terminal on battery.

Connect negative (black) terminal on generator to negative (-) terminal on battery.

Use recoil starter to start generator and the battery will begin to charge as Generator runs.

Note: Both AC and DC output can be used at the same time if the total output is within the rated output of the generator.

BATTERY CHARGER

Disconnect battery cables when charging the battery.

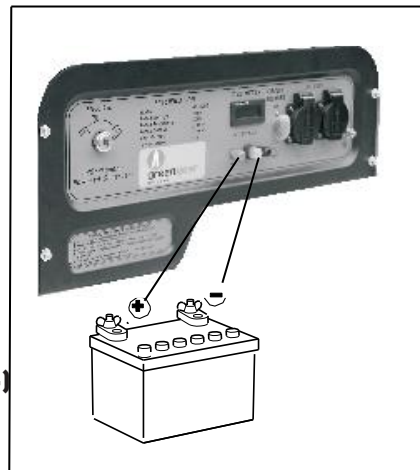
Connect battery charger.

Note: A trickle/slow charge is recommended.

Once fully charged reconnect the battery to the generator

Connect positive (red) terminal on generator to positive (+) terminal on battery.

Connect negative (black) terminal on generator to negative (-) terminal on battery.



SAFETY PRECAUTIONS WHILE CHARGING

- ⚠ An explosive hydrogen gas is discharged through vent holes in the battery during the charging process. Do not allow spark or open flame around the generator or battery during the charging process.
- ⚠ Electrolyte fluid can burn eyes and clothing. Be extremely careful to avoid contact. If contact occurs, wash the affected area immediately with large quantities of water and consult a doctor for treatment.
- ⚠ When charging a large capacity battery or totally discharged battery, excessive current may force the DC breaker to turn off. In such cases, use a battery charger to charge a large battery with AC output.
- ⚠ Battery defects may cause the DC breaker to turn off. Check the battery before replacing the DC breaker.

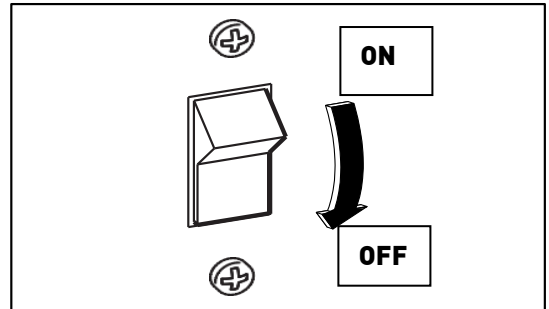
5.3 STOPPING THE GENERATOR

1-Turn off the power switches of the electric equipment and unplug the cord from receptacle of the generator.

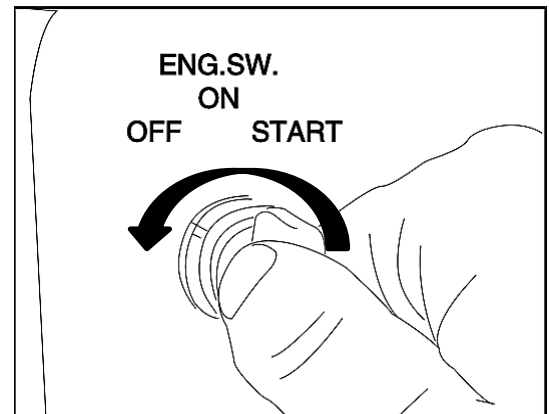
2- Turn the circuit breaker to the "OFF" position.

3- Allow the engine about 3 minutes to cool down at no-load before stopping.

4a) **Recoil starter model:** Turn the engine switch to the position "OFF".



4b) **Electric starter model:** Turn the key switch to the "OFF" position.



5- Close LPG/PROPANE cylinder valve.

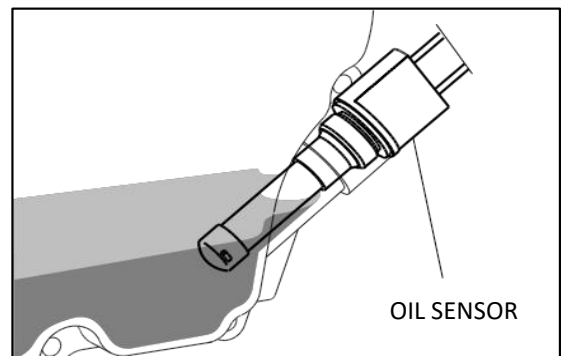
5.4 OIL SENSOR

1-The oil sensor detects the fall in oil level in the crankcase and automatically stops the engine when the oil level falls below a predetermined level.

2-When engine has stopped switch off generator's circuit breaker, and check the oil level. Refill engine oil to the upper level as instructed to chapter 7.1 and restart the engine.

3-If the engine does not start by usual starting procedures, check the oil level.

CAUTION: Do not remove OIL SENSOR PROBE when refilling with oil. Remove oil filler cap on the opposite side of carburetor.



6. WATTAGE INFORMATION

Some appliances need a "surge" of energy when starting. This means that the amount of electrical power needed to start the appliance may exceed the amount needed to maintain its use.

Electrical appliances and tools normally come with a label indicating voltage, cycles/Hz, amperage (amps) and electrical power needed to run the appliance or tool.

Check with the manufacturer with questions regarding power surge of certain appliances or power tools.

Electrical loads such as incandescent lamps and hot plates require the same wattage to start as is needed to maintain use. Loads such as fluorescent lamps require 1.2 to 2 times the indicated wattage during start-up. Loads for mercury lamps require 2 to 3 times the indicated wattage during start-up.

Electrical motors require a large starting current. Power requirements depend on the type of motor and its use. Once enough "surge" is attained to start the motor, the appliance will require only 50% to 30% of the wattage to continue running. Most electrical tools require 1.2 to 3 times their wattage to start. For example, a 5,000 watt generator can power an 1800 to 4000 watt electrical tool.

Loads such as submersible pumps and air compressors require a very large current to start. They need 3 to 5 times the normal running wattage in order to start. For example, a 5,000 watt generator would only be able to drive a 1,000 to 1,700 watt pump.

NOTE: The following wattage chart is a general guide only. Refer to your specific appliance for correct wattage.

To determine the total wattage required to run a particular electrical appliance or tool, multiply the voltage figure of the appliance/tool by the amperage (amps) figure of same. The voltage and amperage (amps) information can be found on a name plate which is normally attached to electrical appliances and tools.

WORKING CONDITIONS

Generating sets may only be loaded up to their rated power under the rated ambient conditions. When used in higher temperatures, altitudes and humidity than those given in the reference conditions a reduction in performance may occur. Standard reference conditions is:

Ambient air temperature	25°C
Ambient air pressure	100 kPa
Relative humidity	30%
Altitude	1000 m

The generator set can start-up and operate at ambient temperatures between -10°C and 40°C

HIGH ALTITUDE OPERATION

Horsepower will decrease approximately 3.5% for each 300m (1,000 feet) increase in altitude. The effect of altitude in reducing the horsepower will be greater than this if no carburetor modification is made.

TEMPERATURE

Low temperatures cause a decrease of the gas pressure in the cylinder causing a premature freezing of the cylinder and impairing the performance of the generator.








AMBIENT PRESSURE

Low atmospheric pressure affects air density and therefore will reduce the efficiency of combustion. This will result in a reduction in performance of the generator.

7. MAINTENANCE

Maintenance, repair and replacement of the emission control system and components should be carried out by a qualified and authorized person.

DAILY INSPECTION

-  Check for excessive vibration, noise.
-  Check oil level and quality.
-  Check the area surrounding the generator is clear.
-  Check the air filter element and clean if necessary.
-  Check the joints and gas hose for leakage or breaks.
-  Check for any loose or broken bolts and nuts.
-  Check engine for any obvious oil leaks.

PERIODIC MAINTENANCE

Periodic maintenance is vital for the safe and efficient operation of your generator. Check the table below for periodic maintenance intervals.

It is also necessary for the user of this generator to ensure the maintenance and adjustments on the emission related parts listed below to keep the emission control system effective.

The emission control system consists of the following parts:

- (1) Enerkit carburetor
- (2) Cold start enrichment system, if applicable
- (3) Intake manifold, if applicable
- (4) Air cleaner elements
- (5) Spark plug
- (6) Magneto or electronic ignition system
- (7) Spark advance/retard system, if applicable
- (8) Exhaust manifold, if applicable
- (9) Hoses, belts, connectors, and assemblies

The maintenance schedule indicated in the table is based on the normal generator operation. Should the generator be operated in extremely dusty condition or in heavier loading condition, the maintenance intervals must be shortened depending on the contamination of oil, clogging of filter elements, wear of parts, and so on.

Maintenance items	Every 8 hours (daily)	Every 20 hours	Every 50 hours (weekly)	Every 200 hours (monthly)	Every 500 hours	Every 1000 hours
CLEAN GENERATOR AND CHECK BOLT AND NUTS	🔧 (daily)					
CHECK AND REFILL ENGINE OIL	🔧 (refill daily up to upper level)					
CHANGE ENGINE OIL (*Note1)		🔧 (initial)	🔧 (every 100 hours)			
CLEAN SPARK PLUG			🔧			
CLEAN AIR FILTER			🔧			
REPLACE AIR FILTER ELEMENT				🔧		
CLEAN AND ADJUST SPARK PLUG AND ELECTRODES				🔧		
REPLACE SPARK PLUG					🔧	
SPARK ARRESTER			🔧 (every 100 hours)			
CHECK AND ADJUST VALVE CLEARANCE (*Note2)					🔧	
CLEAN AND ADJUST CARBURETOR (*Note 2)					🔧	
CLEAN AND REPLACE CARBON BRUSHES						🔧

***Note: 1.** Initial oil change should be performed after first twenty (20) hours of operation. Thereafter change oil every hundred (100) hours. Before changing oil, check for a suitable way to dispose of old oil. Do not pour it down into sewage drains, onto garden soil or into open streams. Your local zoning or environmental regulations will give you more detailed instructions on proper disposal.

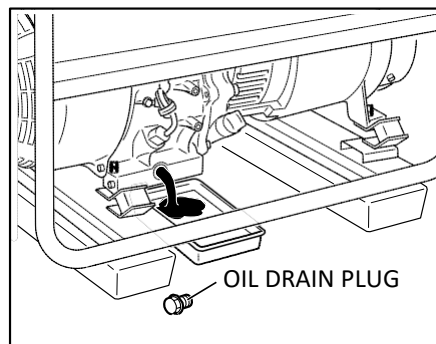
***Note 2.** Should be done by your dealer, unless you are equipped with proper repair tools, and are properly trained and are qualified mechanically.

7.1 ENGINE OIL CHANGE

Change engine oil every 100 hours (For new engine, change oil after 20 hours).

- 1- Drain oil by removing the drain plug and the oil filler cap while the engine is warm.
- 2- Reinstall the drain plug and fill the engine with oil until it reaches the upper level on the oil filler cap.

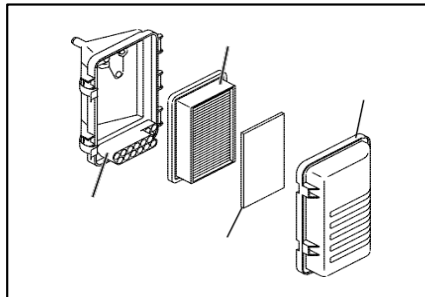
Use fresh and high quality lubricating oil to the specified level as directed to chapter 4.1. If contaminated or deteriorated oil is used or the quantity of the engine oil is not sufficient, engine damage will result and its life expectancy will be greatly shortened.



7.2 CLEANING AIR FILTER

CAUTION do not wash elements with kerosene, gasoline or oil.

A dirty air cleaner element will cause starting difficulty, power loss, engine malfunctions, and shortened engine life. Always keep the air filter element clean.



1. Urethane Foam Element

Wash and clean the urethane foam with detergent. After cleaning, dry it. Clean the urethane foam element every 50 hours.

2. Paper element

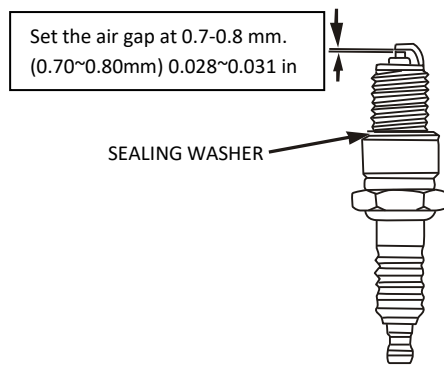
Clean by tapping gently to remove dirt and blow off dust. Never use oil. Clean the paper element every 50 hours of operation, and replace element set every 200 hours.

Clean and replace air cleaner elements more often when operating in dusty environments.

7.3 CLEANING AND ADJUSTING SPARK PLUG

If the plug is contaminated with carbon, remove it and clean using a plug cleaner or wire brush. Check electrode gap. Adjust gap to 0.7-0.8 mm (0.028-0.031 in). Recommended Spark Plug: NGK

CAUTION: be sure to tighten the spark plug securely, otherwise it may become very hot and possibly damage the engine. Never use spark plug with improper heat range.



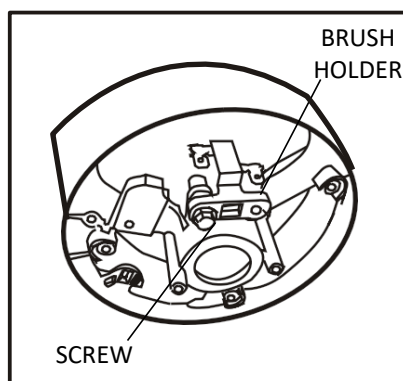
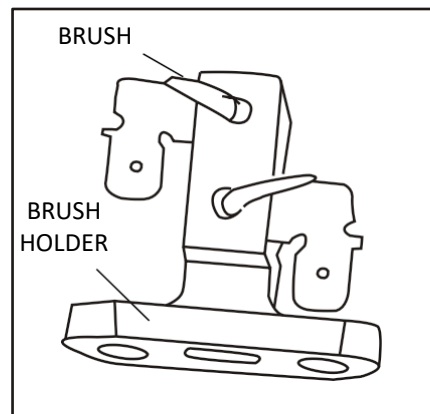
7.4 CHECKING CARBON BRUSH

If the brush becomes excessively worn, its contact pressure with the slip ring changes and causes a rough surface on the slip ring, resulting in irregular generator performance. Check the brush every 500 hours or if generator performance is irregular. If the brush is 5 mm (0.2 in.) long or less, replace it with a new one.

(a) Remove the brush cover.

(b) Disconnect the wire connector and remove the brush.

(c) Carefully note the brush direction and relative position with the slip ring when installing new brush.



7.5 ADJUSTING VALVE CLEARANCE

Due to wear of the sealing ring of the valve, the gap "A" shown in the figure decreases over time, until the contact with the cam prevents its closure. To avoid this, after a certain number of hours, must restore the valve clearance initial.

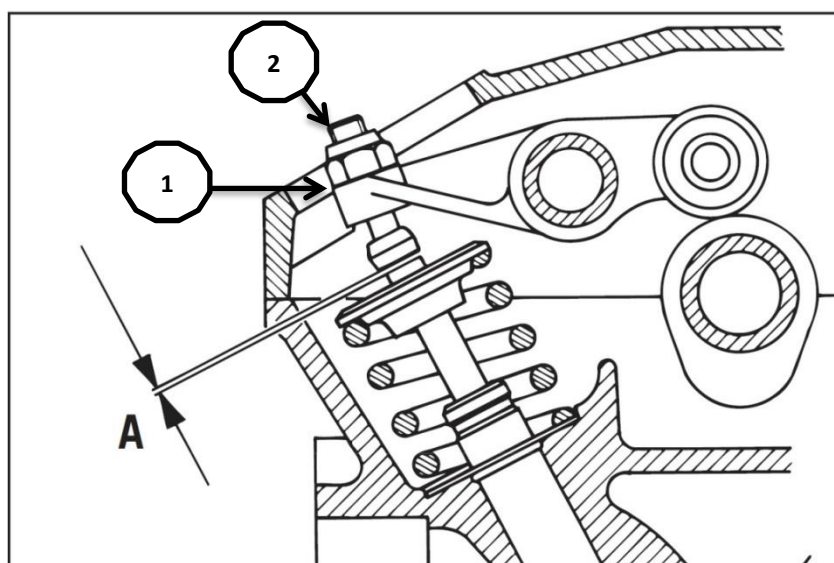
INITIAL GAP:

Intake: 27 μm

Exhaust: 27 μm

This operation should be done by your dealer, unless you are equipped with proper repair tools, and are properly trained and mechanically qualified.

⚠ WARNING: Before adjustment of the valve clearance make sure the engine is cold.



TOOLS REQUIRED:

- 🔧 Thickness Gauge
- 🔧 Screwdriver
- 🔧 Set of Allen keys

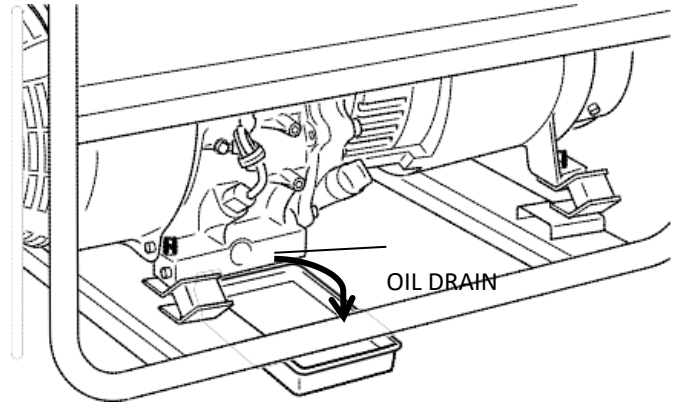
OPERATIONS:

- 1- Remove the spark plug
- 2- Remove the cylinder head cover
- 3- Check with the thickness gauge the valve clearance, if the gap is different from the initial to proceed with the adjustment.
- 4- Loosen the lock nut (1)
- 5- Turn register (2) putting the blade thickness gauge between valve and rocker
- 6- Once registered the valve clearance closes the lock nut and check that the gap has not changed (if it is changed to repeat the previous steps)
- 7- Replace the cylinder head cover.

8. STORAGE AND TRANSPORTATION

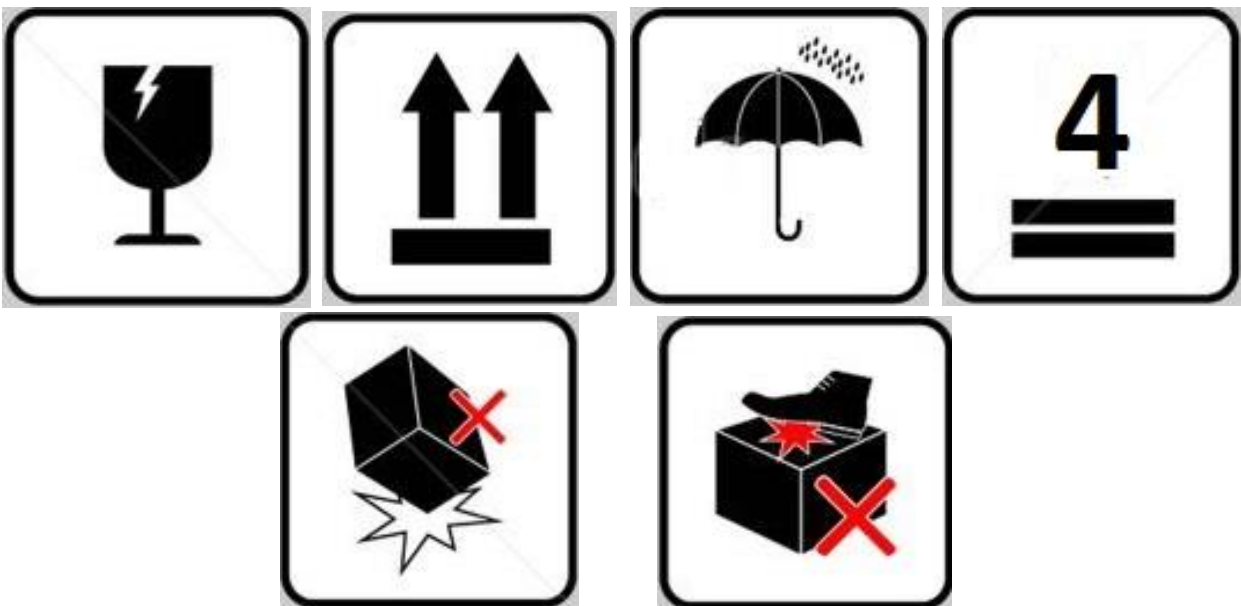
The following procedures should be followed prior to storage of your generator for periods of 6 months or longer:

- ⚠️ **Disconnect the LPG/PROPANE cylinder.**
- ⚠️ **Allow the engine to cool. Remove the spark plug and put 10 drops of high quality motor oil into the cylinder and replace spark plug.**
- ⚠️ **Disconnect the battery used for the electric start feature of this generator, first disconnecting the black cable and then the red cable.**
- ⚠️ **Change engine oil.**
- ⚠️ **Check for loose bolts and screws, tighten them if necessary.**
- ⚠️ **Clean generator thoroughly with oiled cloth. Spray with preservative if available. NEVER USE WATER TO CLEAN THE GENERATOR!**
- ⚠️ **Pull starter handle until resistance is felt, leaving handle in that position.**
- ⚠️ **Store generator in a well-ventilated, low humidity area.**



Package generator set in its original packaging if available.

Never lay the generator set upside down.



9. TROUBLESHOOTING

When generator engine fails to start after several attempts, or if no electricity is available at the output socket, check the following chart. If your generator still fails to start or generate electricity, contact your nearest dealer for further information or corrective procedures.

When engine fails to start:

Check if engine switch is in "OFF" position	Turn engine switch to "ON" position.
Check to make sure generator is not connected to an appliance.	If connected, turn off the power switch on the connected appliance and unplug
Check if cleaner element is dirty	Clean air cleaner element
Check spark plug for loose spark plug cap.	If loose, push spark plug cap back into place
ENERKIT carburetor problems	Push primer button
Check spark plug for contamination.	Remove spark plug and clean electrode.
Empty LPG/PROPANE cylinder	change LPG/PROPANE cylinder

When no electricity is generated at the socket:

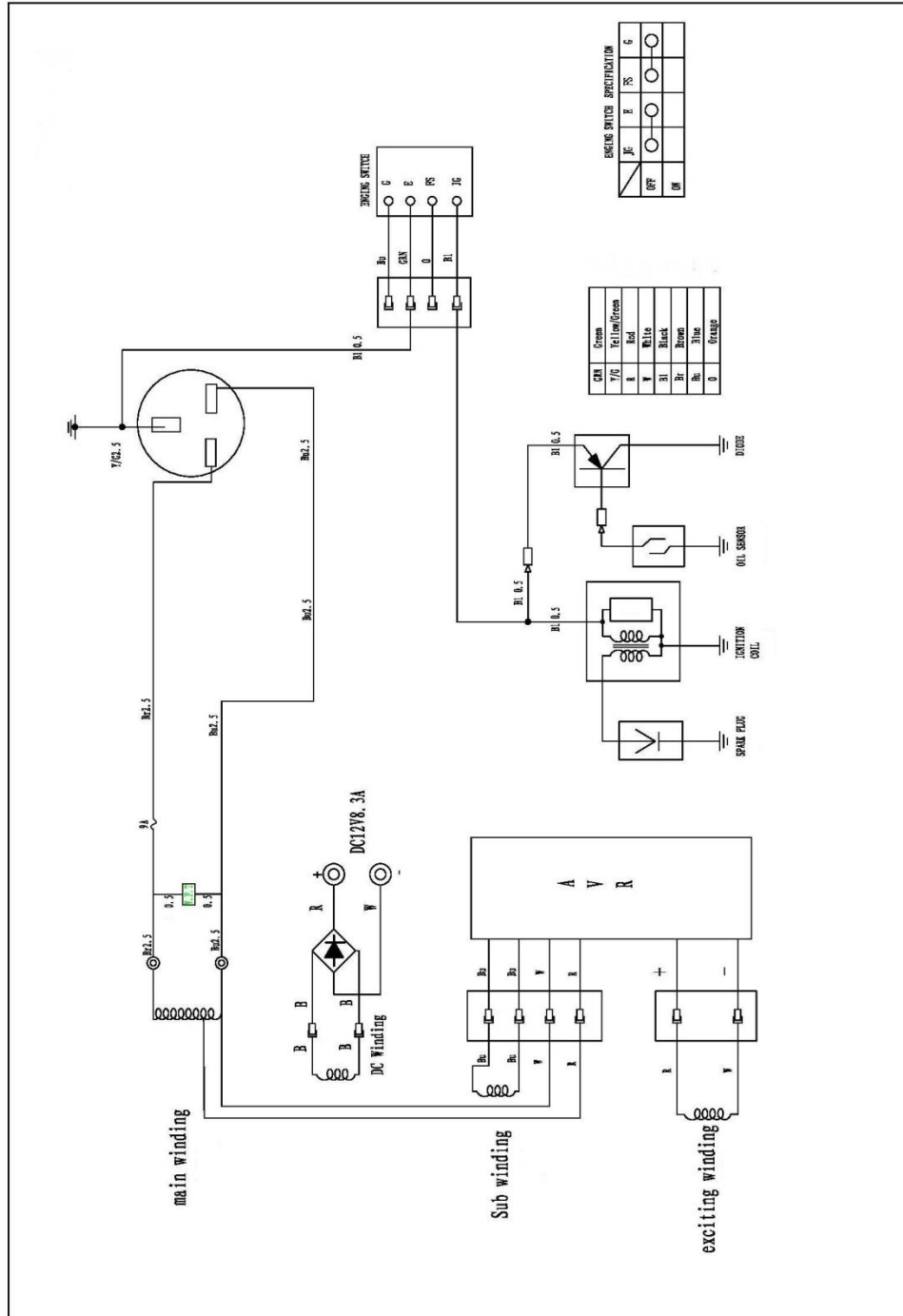
Check to make sure circuit breaker is in the "ON" position	After making sure that the total wattage of the electrical appliance is within permissible limits and there are no defects in the appliance, turn the circuit breaker to the "ON" position. If breakers continue to activate, consult your nearest servicing dealer.
Check AC and DC terminals for loose connection	Secure connection if necessary.
Check to see if engine starting was attempted with appliances already connected to generator.	Turn off switch on the appliance, and disconnect cable from socket. Reconnect after generator has been started properly.
Low power	Carbon brushes are excessively worn

Observing frost on LPG containers and regulators is common during operation and normally is not an indication of a problem. As LPG vaporizes and travels from the tank to the generator engine it expands. The amount of frost that forms can be affected by the size of the container, the amount of fuel being used, the humidity of the air and other operating conditions. In unusual situations this frost may eventually restrict the flow of gas to the generator resulting in deteriorating performance. For example, if the tank temperature is reduced to a very low level then the rate at which the LPG vaporizes is also reduced and may not provide sufficient fuel flow to the engine. This is not an indication of a problem with the generator but only a problem with the flow of gas from the LPG container. If generator performance seems to be deteriorating at the same time that ice formation is observed on tank valve, hose or regulator then some actions may be taken to eliminate this symptom. In these rare situations it can be helpful to reduce or eliminate the cold fuel system effects by doing one of the following:

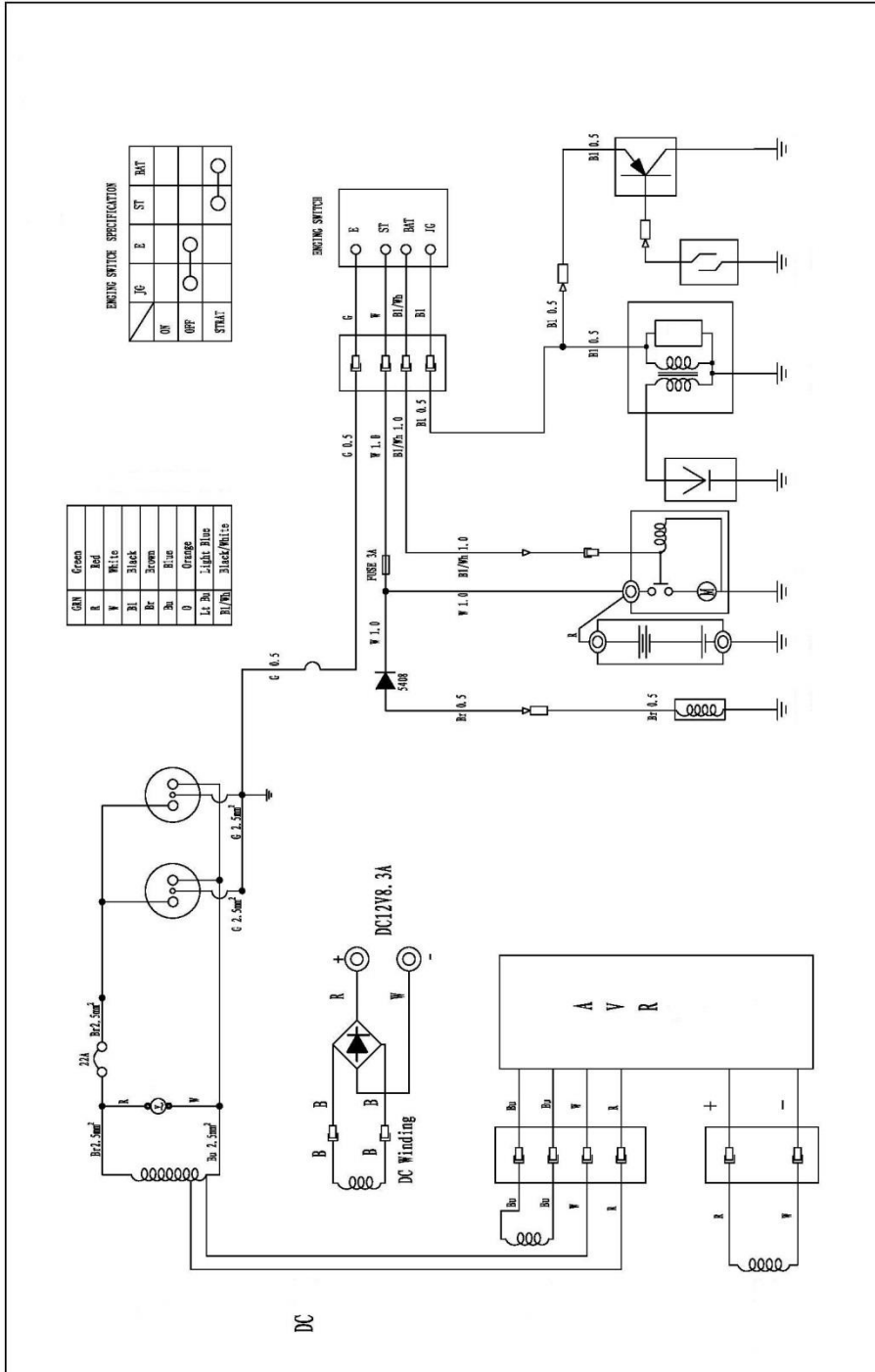
- 🔧 Exchanging fuel tanks to allow the first tank to warm up, repeating as necessary
- 🔧 Placing the LPG container at the end of the generator near the handle, where engine fan air flows out from the generator. This air is slightly heated by flowing over the engine. The container should not be placed in the path of the muffler outlet.

10. WIRING DIAGRAM

Generators Models: GE-2000M, GE2000, GE3000M, GE-3000, GE-3000MUK, GE-3000UK, GE-5000M, GE-5000, GE-5000MUK, GE-5000UK, GE-6000M, GE-6000, GE-6000MUK, GE-6000UK, GE-7000M, GE-7000, GE-7000MUK, GE-7000UK.



Generators Models: GE-6000TM, GE-6000T, GE-7000TM, GE-7000T



11. VOLTAGE DROP IN ELECTRIC EXTENSION CORDS

When a long electric extension cord is used to connect an appliance or tool to the generator, a certain amount of voltage drop or loss occurs in the extension cord which reduces the effective voltage available for the appliance or tool.

The chart below has been prepared to illustrate the approximate voltage loss when an extension cord of 300 feet (approx. 100 meters) is used to connect an appliance or tool to the generator.

Nominal cross section	A.W.G.	Allowable	No. of strands	Resistance	Current Amp.							
					mm ²	No.	A	No./mm	/100m	1A	3A	5A
0.75	18	7	30/0.18	2.477	2.5V	8V	12.5V					
1.27	16	12	50/0.16	1.486	1.5V	5V	7.5V	12V	15V	18V		
2.0	14	17	37/0.26	0.952	1V	3V	5V	8V	10V	12V	15V	
3.5	12 to 10	23	45/0.32	0.517		1.5V	2.5V	4V	5V	6.5V	7.5V	
5.5	10 to 8	35	70/0.32	0.332		1V	2V	2.5V	3.5V	4V	5V	



Legal Warranty - Registration

**The Legal Warranty of the product is available at:
www.greengearglobal.com**

The aforesaid Legal Warranty is upheld by the dealer from which you purchased the product (by showing the proof of purchase)

**To activate the warranty, fill in the registration form online at
www.greengearglobal.com/productregistration**



EC DECLARATION OF CONFORMITY



For the following machinery:

Product name: LPG/Propane powered generator
 Commercial name: N/A
 Function: Low power generator set
 Type: LPG/Propane
 Model No.: GE-2000M,GE-2000,GE-3000M,GE-3000,GE-3000MUK,GE-3000UK,GE-5000M,GE-5000,GE-5000MUK,GE-5000UK,GE-6000M,GE-6000,GE-6000MUK,GE-6000UK,GE-6000TM,GE-6000T,GE-7000M,GE-7000,GE-7000MUK,GE-7000UK,GE-7000TM,GE-7000T.

is herewith confirmed to fulfill all the relevant provisions of Machinery Directive (2006/42/EC) and comply with Low-Voltage Directive (2006/95/EC) and Electromagnetic Compatibility Directive (2004/108/EC) and Noise Emission Directive by equipment for use outdoors (2000/14/EC + 2005/88/EC)

and the following harmonized standard have been complied with:

- EN 12601:2010;
- EN 61000-6-2:2005;
- EN 61000-6-4:2007;

Responsible for marking this declaration is the:

Manufacturer x	Authorized representative established within the EU
Manufacturer's Name	: GREENGEAR GLOBAL SRL
Manufacturer's Address	: VIALE DUCA DEGLI ABRUZZI 163, BRESCIA, ITALY
Authorized Rep's Name	: -
Authorized Rep's Address	: -

Person responsible for compiling the technical files established within the EU

Name, Surname	: ANDREA FOGLIETTI
Address	: VIALE DUCA DEGLI ABRUZZI 163, BRESCIA, ITALY

Person responsible for making this declaration

Name, Surname	: ANDREA FOGLIETTI
Position/Title	: Managing Director

Brescia, Italy	March 10, 2017
----------------	----------------

(Place)

(Date)

(Company stamp and legal signature)

GREENGEAR GLOBAL SRL
 Via Duca Degli Abruzzi n° 163
 25124 BRESCIA
 C.F. e Part. I.V.A. 01697780906

OPERATING AND MAINTENANCE ORIGINAL INSTRUCTIONS



- 🌱 **Greengear Global Srl**
Viale duca degli Abruzzi 163
25124 Brescia
Italy
- 🌱 **Website:** www.greengearglobal.com
- 🌱 **Customer service mail:** service@greengearglobal.com
- 🌱 **Facebook:** www.facebook.com/greengear.co
- 🌱 **Twitter:** @greengear_



greengear®
looking ahead

GENERATORI GPL/PROPANO

ISTRUZIONI ORIGINALI DI FUNZIONAMENTO E MANUTENZIONE

Modelli generatori Greengear: GE-2000M, GE2000, GE3000M, GE-3000, GE-3000MUK, GE-3000UK, GE5000M, GE5000, GE-5000UK, GE-5000MUK, GE-6000M, GE6000, GE-6000UK, GE-6000MUK, GE-6000TM, GE-6000T, GE-7000M, GE-7000, GE-7000MUK, GE-7000UK, GE-7000TM, GE-7000T.





Grazie per aver acquistato un generatore a GPL Greengear!

We Il seguente manuale contiene importanti informazioni su come utilizzare AL MEGLIO IL VOSTRO nuovo generatore in massima sicurezza, di conseguenza leggetelo attentamente.

Questo manuale contiene tutte le informazioni riguardanti la manutenzione del vostro generatore a gpl.

Tutte le informazioni presenti su questo manuale sono basate sulle ultime informazioni disponibili sui prodotti al momento della stampa del seguente.

Greengear global si riserva il diritto di modificare il seguente manuale in qualunque momento e senza alcun tipo di preavviso e/o obbligo.

Nessuna parte di questo manuale può essere riprodotta senza una delibera scritta.

Questo manuale deve essere considerato come parte integrante del generatore e di conseguenza deve rimanere con quest'ultimo.

We hope you enjoy your new generator!

I migliori saluti,

Greengear Global Srl.

CONTENUTI

1. PRECAUZIONI DI SICUREZZA	48
2. DESCRIZIONE	53
3. SPECIFICAZIONI	54
4. MONTAGGIO E VERIFICHE DA EFFETTUARE PRIMA DELL'UTILIZZO	58
5. PROCEDURE OPERATIVE	65
6. INFORMAZIONI SUI WATT	71
7. MANUTENZIONE	72
7.1 INFORMAZIONI MANUTENZIONE	74
8. STOCCAGGIO E TRASPORTO	78
9. RISOLUZIONE DEI PROBLEMI	79
10. DIAGRAMMA ELETTRICO	80
11. CADUTA DI TENSIONE CON PROLUNGHE ELETTRICHE	82

12. PRECAUZIONI DI SICUREZZA

Quando si utilizzano attrezzature GPL/PROPANO (di seguito "attrezzatura"), le precauzioni di sicurezza di base, fra cui le seguenti, devono essere sempre rispettate per ridurre il rischio di gravi lesioni personali e/o danni alle attrezzature e/o danni alle proprietà. Leggere tutte le istruzioni prima di utilizzare questo prodotto e conservare le stesse per future consultazioni. Le seguenti precauzioni sono essenziali per la vostra sicurezza, ma l'elenco non è esaustivo. Utilizzare sempre l'attrezzatura in modo ragionevole e responsabile e essere consapevoli che l'utente è responsabile degli incidenti che coinvolgono terzi o le loro proprietà.

TUTTI I SIMBOLI SOTTO SONO RIPORTATI SUL PRODOTTO



Leggere il manuale dell'operatore.



Attenzione: Motore caldo



Fumi tossici: non operare in spazi chiusi.



Spegnere sempre il motore e lasciare raffreddare prima di sostituire la bombola del gas.



Il generatore deve essere collegato per la messa a terra.



Non utilizzare in luoghi esposti a pioggia o precipitazioni.



Il sistema elettrico residenziale deve essere isolato.



ATTENZIONE:

Questa macchina genera un campo elettromagnetico durante il funzionamento. Esso può, in determinate circostanze, interferire con impianti medici attivi e passivi. Per ridurre il rischio di lesioni gravi e fatali, raccomandiamo i portatori di impianti medici di consultare il proprio medico o il produttore di tali impianti prima di utilizzare la macchina.

Addestramento

- ⚠ **Non utilizzare l'attrezzatura sotto l'influenza di alcool, sostanze stupefacenti, medicinali o in stato febbricitante;**
- ⚠ **Leggere le istruzioni attentamente. Familiarizzare con i comandi e il corretto utilizzo dell'attrezzatura;**
- ⚠ **Non permettere ai bambini e agli estranei di utilizzare l'attrezzatura. Le norme locali possono limitare l'età dell'operatore.**
- ⚠ **Non operare con persone, in particolare bambini o animali presenti nelle vicinanze;**
- ⚠ **Ricordare che l'operatore o l'utilizzatore è responsabile di incidenti o pericoli causati ad altre**

persone o alle loro proprietà.

- ⚠ Prestare l'attrezzatura, compresi gli eventuali accessori, solo a persone familiari con questo prodotto e sanno utilizzarlo. Questo manuale delle istruzioni è parte integrante dell'attrezzatura e deve essere sempre fornito alle persone che lo prendono in prestito.

Preparazione

- ⚠ Prima dell'utilizzo, rimuovere gli eventuali sacchetti di plastica e tutti gli altri componenti che fanno parte dell'imballaggio e tenere fuori dalla portata dei bambini.
- ⚠ Controllare l'attrezzatura prima dell'utilizzo. Segnalare qualsiasi parte mancante e sostituire quelle danneggiate. Non utilizzare l'attrezzatura con parti allentate o danneggiate

Funzionamento

- ⚠ Utilizzare l'attrezzatura solo per lo scopo previsto. Il suo utilizzo per scopi diversi non è consentito e può essere pericoloso o provocare danni all'attrezzatura;
- ⚠ Non far funzionare il motore in un luogo chiuso dove possono accumularsi esalazioni nocive di monossido di carbonio;
- ⚠ Non modificare le impostazioni del motore o alzare i giri del motore;
- ⚠ Avviare il motore con attenzione secondo le istruzioni;
- ⚠ Non inclinare l'attrezzatura quando si avvia il motore;
- ⚠ Non toccare i cavi quando il motore è in funzione: la scossa elettrica può causare lesioni.

Manutenzione e immagazzinaggio

- ⚠ Mantenere serrati tutti i dadi, bulloni e le viti per essere certi che l'attrezzatura è in buone condizioni operative;
- ⚠ Non immagazzinare l'attrezzatura con bombola/cartuccia GPL/PROPANO all'interno di un edificio dove i vapori possono raggiungere una fiamma libera o una scintilla; non lasciare mai in luce diretta del sole. Non immagazzinare a temperature superiori a 49° C (120° F);
- ⚠ I fumi di scarico contengono monossido di carbonio velenoso che si può sviluppare fino a livelli pericolosi nelle zone chiuse. L'inalazione di monossido di carbonio può causare perdita di coscienza o la morte;
- ⚠ Lasciare raffreddare il motore prima di immagazzinare in un qualsiasi ambiente chiuso: Le parti calde possono causare gravi ustioni;
- ⚠ Sostituire le parti usurate e danneggiate per sicurezza;
- ⚠ Tenere sempre gli adesivi di sicurezza e di informazione puliti e leggibili.



ATTENZIONE

Sostituire la bombola di GPL / Propano in una zona ben ventilata con il motore spento.

GREENGEAR GLOBAL SRL non si assume alcuna responsabilità per danni materiali o personali causati dalla mancata osservanza delle informazioni contenute nel manuale dell'operatore, in particolare per quanto riguarda la sicurezza, il funzionamento e la manutenzione, o che sorgono attraverso l'uso di connessioni o pezzi di ricambio non autorizzati. Eventuali danni causati dal mancato rispetto delle istruzioni di sicurezza, di funzionamento e di manutenzioni sono di esclusiva responsabilità dell'utente.

GREENGEAR GLOBAL SRL si riserva inoltre il diritto di modificare la descrizione in questo manuale delle istruzioni in qualsiasi momento e senza preavviso. La riproduzione, trasmissione o la traduzione in qualsiasi altra lingua è assolutamente vietata senza un consenso scritto di GREENGEAR GLOBAL LTD.



ATTENZIONE Leggere questo manuale attentamente.



ATTENZIONE Non utilizzare il generatore vicino alla benzina o qualsiasi carburante gassoso.



ATTENZIONE **Il GPL/PROPANO è altamente infiammabile e i suoi vapori possono provocare esplosioni**



ATTENZIONE **Non fumare o usare fiamme libere vicino alla zona di lavoro**



ATTENZIONE **Arrestare sempre il motore e lasciarlo raffreddare prima di sostituire la bombola**



ATTENZIONE **Non mettere dei materiali infiammabili vicino al generatore.**



ATTENZIONE

Non utilizzare il generatore all'interno di un'area chiusa o non sufficientemente ventilata. Utilizzarlo sempre in un'area ben ventilata, altrimenti il motore potrebbe surriscaldarsi, e il gas di monossido di carbonio contenuto nello scarico potrebbe mettere in pericolo delle vite umane. Tenere il generatore a almeno 1 metro (3 piedi) di distanza da qualsiasi struttura o edificio durante l'uso. Se il generatore deve essere utilizzato indoor, l'area deve essere ben ventilata e estrema cautela deve essere presa per quanto riguarda lo scarico di gas.



ATTENZIONE

Non racchiudere il generatore o coprirlo con una scatola. Ha un sistema di raffreddamento incorporato e si surriscalda se viene racchiuso.



ATTENZIONE

Utilizzare il generatore su una superficie piana. Non è necessario preparare una base speciale. Tuttavia, il generatore vibrerà su una superficie irregolare, quindi scegliere una zona senza irregolarità superficiali. Se il generatore viene inclinato o spostato durante il funzionamento, potrebbe ribaltarsi, causando situazioni pericolose. Non ci può essere una corretta lubrificazione se il generatore viene usato su un pendio ripido o in pendenza. In questo caso il grippaggio del pistone potrebbe verificarsi anche se il livello dell'olio è al di sopra del limite massimo.



ATTENZIONE

Prestare attenzione al cablaggio e alle prolunghe. Se il cavo è sotto il generatore o in contatto con le parti vibranti, può rompersi e causare un incendio o scosse elettriche. Sostituire i cavi danneggiati o usurati immediatamente.

**ATTENZIONE**

Non utilizzarlo in luoghi esposti a pioggia o precipitazioni o con le mani bagnate. L'utente può subire una grave scossa elettrica se il generatore è bagnato.

**ATTENZIONE**

Se è bagnato pulirlo e asciugarlo prima di iniziare. Non versare dell'acqua direttamente sul generatore né lavarlo.

**ATTENZIONE**

Spegnere sempre il fusibile dell'interruttore del generatore e scollegare gli utensili o gli apparecchi quando non sono in uso prima di intervenire, di regolare o di installare gli accessori e le connessioni.

**ATTENZIONE**

Fare attenzione che tutte le procedure della messa a terra necessarie siano eseguite durante ogni utilizzo. Nel caso non si seguano le procedure, i danni potrebbero essere mortali.

**ATTENZIONE**

Non collegare il generatore a una linea elettrica commerciale. Potrebbe causare un cortocircuito al generatore e danneggiarlo o causare una scossa elettrica. Utilizzare un interruttore di trasferimento per collegarlo al circuito elettrico domestico.

**ATTENZIONE**

Non fumare quando si utilizza la batteria. Essa emette gas infiammabile che può esplodere se viene esposto a fiamme libere. Tenere l'area ben ventilata e tenere le fiamme libere e le scintille a distanza.

**ATTENZIONE**

Il motore diventa estremamente caldo durante e per qualche tempo dopo il funzionamento. Tenere i materiali infiammabili a distanza dal generatore. Prestare attenzione a non toccare alcune parti del motore soprattutto il silenziatore altrimenti possono causare gravi ustioni. Tenere i bambini e gli estranei ad una distanza sicura dall'area di lavoro.

**ATTENZIONE**

Utilizzare solo le prolunghe "ELENCATE". Quando viene utilizzato l'attrezzatura all'esterno, utilizzare solo le prolunghe marcate "Per uso esterno".

**ATTENZIONE**

E' assolutamente essenziale che si conosca l'utilizzo sicuro e corretto degli apparecchi o degli utensili elettrici che si intendono usare. Tutti gli utenti devono leggere, comprendere e seguire i manuali degli apparecchi. Le applicazioni e le limitazioni devono essere comprese. Seguire tutte le indicazioni riportate sulle etichette e sulle avvertenze. Tenere i manuali in un luogo sicuro per future consultazioni.

13. DESCRIZIONE

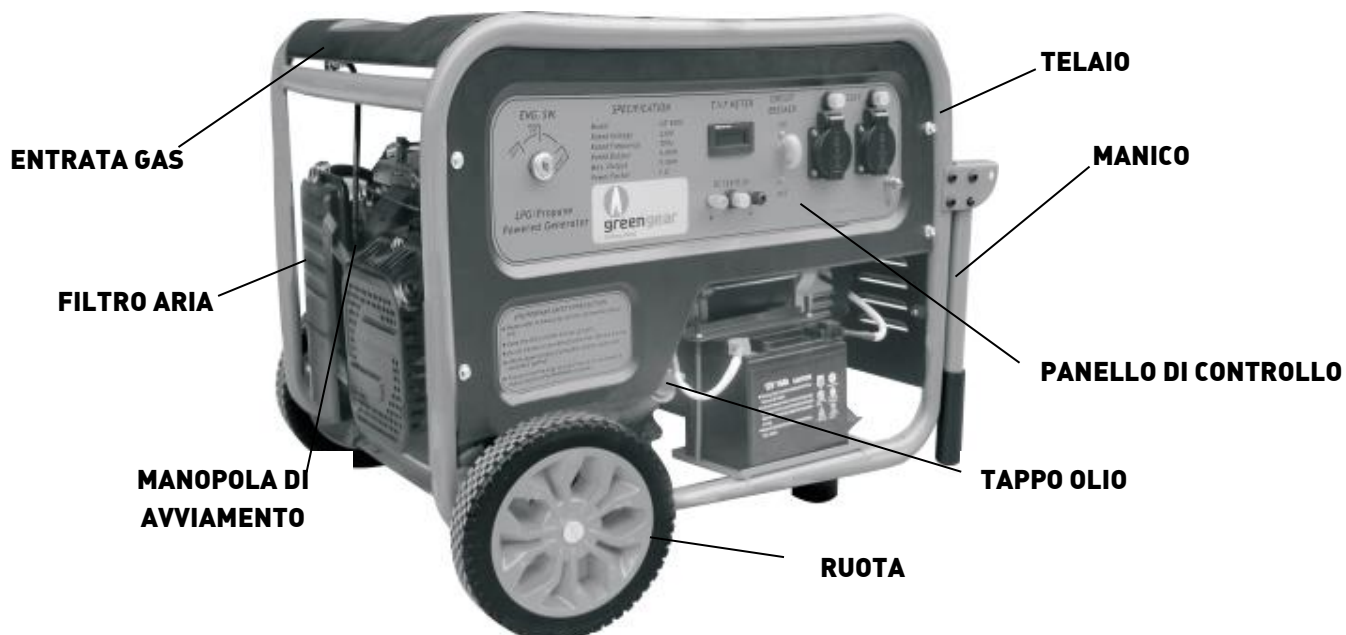
GE-2000M, GE-2000, GE-3000M, GE-3000, GE-3000MUK, GE-3000UK

Le prese indicate nell'immagine, sono solo indicative. Si prega di consultare i dettagli dei prodotti nella pagina seguente.



GE-5000M, GE-5000, GE-5000UK, GE-5000MUK, GE-6000M, GE-6000, GE-6000UK, GE-6000MUK, GE-6000TM, GE-6000T, GE-7000M, GE-7000, GE-7000MUK, GE-7000UK, GE-7000TM, GE-7000T

Le prese indicate nell'immagine, sono solo indicative. Si prega di consultare i dettagli dei prodotti nella pagina seguente



14. SPECIFICAZIONI

Modello generatore	GE-2000M	GE-2000	GE-3000M	GE-3000	GE-3000MUK	GE-3000UK
Modello motore	GG3GN	GGN3GN	GG3GN	GG3GN	GG3GN	GG3GN
Tipo motore	OHV, 25°tilt, Monocilindro, 4-Tempi					
Alesaggio X corsa (mm)	68 x 54	68 x 54	68 x 54	68 x 54	68 x 54	68 x 54
Cilindrata(cc)	212	212	212	212	212	212
Tipo ignizione	T.C.I.					
Rapporto di compressione	8.5:1	8.5:1	8.5:1	8.5:1	8.5:1	8.5:1
Tipo carburante	GPL/PROPANO	GPL/PROPANO	GPL/PROPANO	GPL/PROPANO	GPL/PROPANO	GPL/PROPANO
Sistema di avviamento	Manuale	Elettrico	Manuale	Elettrico	Manuale	Elettrico
Tecnologia GPL/propano	ENERKIT BASIC					
Pressione GPL	1.0-2.5 BAR					
Consumo*(g/kWh)	↑523	↑523	↑441	↑441	↑441	↑441
Tensione (V)	230	230	230	230	230	110/230
Potenza massima (KW)	2.2 (3 HP)	2.2 (3HP)	3.1 (3.8 HP)	3.1 (3.8 HP)	3.1 (3.8 HP)	3.1 (3.8 HP)
Potenza nominale (KW)	2.0 (2.7 HP)	2.0 (2.7 HP)	2.8 (3.4 HP)	2.8 (3.4 HP)	2.8 (3.4 HP)	2.8 (3.4 HP)
Corrente nominale (A)	9	9	11.5	11.5	11.5	11.5
Frequenza nominale (Hz)	50Hz	50Hz	50Hz	50Hz	50Hz	50Hz
Fattore di potenza (cos φ)	1.0	1.0	1.0	1.0	1.0	1.0
Volume olio (L)	0.6 (0.16 gal)	0.6 (0.16 gal)	0.6 (0.16 gal)	0.6 (0.16 gal)	0.6 (0.16 gal)	0.6 (0.16 gal)
Tempo di funzionamento continuo	Dipende dalle dimensioni della bombola GPL/PROPANO.					
Peso Netto (kg/lbs.)	43.5/96	43.5/96	49/108	49/108	49/108	49/108
Dimensione imballaggio (LxLxA) (mm)	605x445x420 23.8"x17.5"x16.5"					

*dipende dalla qualità del carburante (GPL, Propano, Butano, etc)

Modello generatore	GE-5000M	GE-5000	GE-5000MUK	GE-5000UK	GE-6000M	GE-6000
Modello motore	GG4GN	GGN4GN	GG4GN	GG4GN	GG5GN	GG5GN
Tipo motore	OHV, 25°tilt, Monocilindro,4-Tempi					
Alesaggio X corsa (mm)	88x64	88x64	88x64	88x64	90x66	90x66
Cilindrata(cc)	389	389	389	389	420	420
Tipo ignizione	T.C.I					
Rapporto di compressione	8.5:1	8.5:1	8.5:1	8.5:1	8.5:1	8.5:1
Tipo carburante	GPL/Propano	GPL/Propano	GPL/Propano	GPL/Propano	GPL/Propano	GPL/Propano
Sistema di avviamento	Manuale	Elettrico	Manuale	Elettrico	Manuale	Elettrico
Tecnologia GPL/propano	ENERKIT BASIC					
Pressione GPL	1.0-2.5 BAR					
Consumo*(g/kWh)	↑39 8	↑398	↑39 8	↑39 8	↑23 5	↑235
Tensione (V)	230	230	115/230	115/230	230	230
Potenza massima (KW)	5.5 (7.4 HP)	5.5 (7.4 HP)	5.5 (7.4 HP)	5.5 (7.4 HP)	6.5 (8.7 HP)	6.5 (8.7 HP)
Potenza nominale (KW)	5 (6.7 HP)	5 (6.7 HP)	5 (6.7 HP)	5 (6.7 HP)	6.0 (8 HP)	6.0 (8 HP)
Corrente nominale (A)	21.7	21.7	21.7	21.7	26	26
Frequenza nominale (Hz)	50	50	50	50	50	50
Fattore di potenza (cos φ)	1.0	1.0	1.0	1.0	1.0	1.0
Volume olio (L)	1.1 (0.3 gal)	1.1 (0.3 gal)	1.1 (0.3 gal)	1.1 (0.3 gal)	1.1 (0.3 gal)	1.1 (0.3 gal)
Tempo di funzionamento continuo	Dipende dalle dimensioni della bombola GPL/PROPANO.					
Peso Netto (kg/lbs.)	93/205	93/205	93/205	93/205	93/205	93/205
Dimensioni imballaggio (LxLxA) (mm)	700x570x500 27.5"x21.3"x19.6"	700x530x500 27.5"x20.8"x22.4"	700x570x500 27.5"x21.3"x19.6"			700x530x500 27.5"x20.8"x22.4"

*dipende dalla qualità del carburante (GPL, Propano, Butano, etc)

Modello generatore	GE-6000MUK	GE-6000UK	GE-6000TM	GE-6000T	GE-7000M	GE-7000
Modello motore	GG5GN	GG5GN	GG5GN	GG5GN	GG6GN	GG6GN
Tipo motore	OHV, 25°tilt, Monocilindro,4-Tempi					
Alesaggio X corsa (mm)	90x66	90x66	90x66	90x66	92x67	92x67
Cilindrata(cc)	420	420	420	420	445	445
Tipo ignizione	T.C.I					
Rapporto di compressione	8.5:1	8.5:1	8.5:1	8.5:1	9.0:1	9.0:1
Tipo carburante	GPL/Propano	GPL/Propano	GPL/Propano	GPL/Propano	GPL/Propano	GPL/Propano
Sistema di avviamento	Manuale	Elettrico	Manuale	Elettrico	Manuale	Elettrico
Tecnologia GPL/propano	ENERKIT BASIC					
Pressione GPL	1.0-2.5 BAR					
Consumo*(g/kWh)	↑523	↑523	↑441	↑398	↑235	↑318
Tensione (V)	115/230	115/230	230/400	230/400	230	230
Potenza massima (KW)	6.5 (8.7 HP)	6.5 (8.7 HP)	6.5 (8.7 HP)	6.5 (8.7 HP)	7.5 (9.8 HP)	7.5 (9.8 HP)
Potenza nominale (KW)	6.0 (8 HP)	6.0 (8 HP)	6.0 (8 HP)	6.0 (8 HP)	7.0 (9.1 HP)	7.0 (9.1 HP)
Corrente nominale (A)	26	26	26	26	30	30
Frequenza nominale (Hz)	50	50	50	50	50	50
Fattore di potenza (cos φ)	1.0	1.0	1.0	1.0	1.0	1.0
Volume olio(L)	1.1 (0.3 gal)	1.1 (0.3 gal)	1.1 (0.3 gal)	1.1 (0.3 gal)	1.1 (0.3 gal)	1.1 (0.3 gal)
Tempo di funzionamento continuo	Dipende dalle dimensioni della bombola GPL/PROPANO					
Peso Netto (kg/lbs.)	95/209	95/209	95/209	95/209	95/209	95/209
Dimensioni dell'imballaggio (LxLxA) (mm)	700x570x500 27.5"X21.3"X19.6"					700x530x500 27.5"X20.8"X19.6"

*dipende dalla qualità del carburante (GPL, Propano, Butano, etc)

Modello generatore	GE-7000MUK	GE-7000UK	GE-7000TM	GE-7000T
Modello motore	GG6GN	GG6GN	GG6GN	GG6GN
Tipo motore	OHV, 25°tilt, Monocilindro, ,4-Tempi			
Alésaggio X corsa (mm)	92x66	92x66	92x66	92x66
Cilindrata(cc)	420	420	420	420
Tipo ignizione	T.C.I			
Rapporto di compressione	9.0:1	9.0:1	9.0:1	9.0:1
Tipo carburante	GPL/Propano	GPL/Propano	GPL/Propano	GPL/Propano
Sistema di avviamento	Manuale	Elettrico	Manuale	Elettrico
Tecnologia GPL/propano	ENERKIT BASIC			
Pressione GPL	1.0-2.5 BAR			
Consumo*(g/kWh)	↑318	↑318	↑318	↑318
Tensione (V)	110/230	110/230	230/410	230/410
Potenza massima (KW)	7.5 (9.8 HP)	7.5 (9.8 HP)	7.5 (9.8 HP)	7.5 (9.8 HP)
Potenza nominale (KW)	7.0 (9.1 HP)	7.0 (9.1 HP)	7.0 (9.1 HP)	7.0 (9.1 HP)
Corrente nominale (A)	30	30	30	30
Frequenza nominale (Hz)	50	50	50	50
Fattore di potenza (cos φ)	1.0	1.0	1.0	1.0
Volume olio (L)	1.1 (0.3 gal)	1.1 (0.3 gal)	1.1 (0.3 gal)	1.1 (0.3 gal)
Tempo di funzionamento continuo	Dipende dalle dimensioni della bombola GPL/PROPANO			
NW (kg/lbs.)	96/211	96/211	96/211	96/211
Dimensioni dell'imballaggio (LxLxA) (mm)	700x570x500 27.5"x21.3"x19.6"			

*dipende dalla qualità del carburante (GPL, Propano, Butano, etc)

Condizioni operative di riferimento standard:

AVVISO: I generatori possono essere caricati solo fino alla loro potenza nominale nelle condizioni ambientali nominali. La riduzione della potenza è probabilmente dovuta all'uso a temperature, altitudini, umidità più elevate rispetto a quelle indicate nelle condizioni di riferimento.

Il generatore è in grado di avviarsi e funzionare a temperature tra -5°C e 40°C, e le condizioni standard di riferimento sono:

Temperatura ambientale	25°C
Pressione ambientale	100 kPa
Umidità	30%
Altitudine	Inferiore a 1000 m

15. MONTAGGIO E VERIFICHE DA EFFETTUARE PRIMA DELL'UTILIZZO

15.1 MONTAGGIO

Modelli: GE5000M, GE5000, GE-5000UK, GE-5000MUK, GE-6000M, GE6000, GE-6000UK, GE-6000MUK, GE-6000TM, GE-6000T, GE-7000M, GE-7000, GE-7000MUK, GE-7000UK, GE-7000TM, GE-7000T. Wheels and handles come as standard.

Se l'unità è fornita con il kit di montaggio delle ruote e maniglie procedere con l'installazione utilizzando i seguenti componenti:

- 🔧 1 x Imbuto
- 🔧 2 x Chiave inglese
- 🔧 1 x chiave a tubo
- 🔧 1 x chiave a tubo a leva
- 🔧 1 x chiave esagonale

Maniglie:

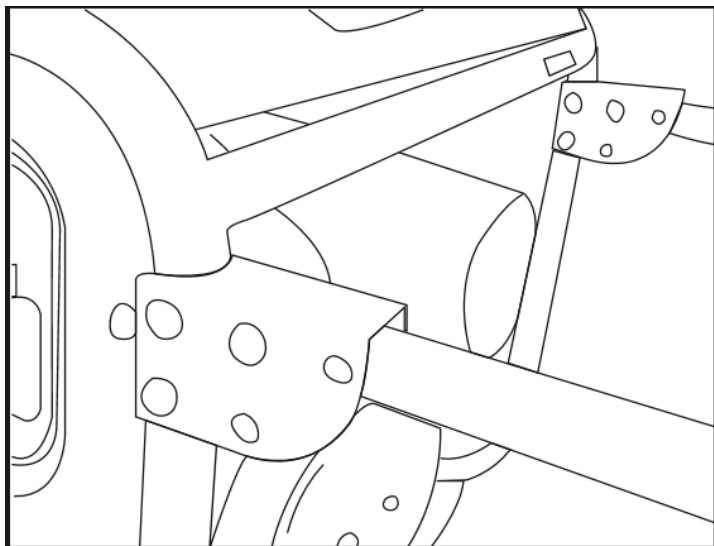
- 🔧 2 x maniglia
- 🔧 6 x bullone
- 🔧 6 x dado
- 🔧 2 x staffa maniglia

Ruote:

- 🔧 2 x ruota
- 🔧 2 x dado
- 🔧 2 x bullone 100mm
- 🔧 2 x rondella

Piedini:

- 🔧 2 x antivibrante in gomma,
- 🔧 2 x rondella
- 🔧 2 x bullone
- 🔧 2 x dado
- 🔧 1 x staffa di montaggio
- 🔧 2 x bullone per la staffa di montaggio
- 🔧 2 x dado per la staffa di montaggio



🔧 **Come collegare le maniglie:**
Collegare le maniglie con la staffa porta maniglie utilizzando le viti nere da 40mm e i relativi dadi come in figura

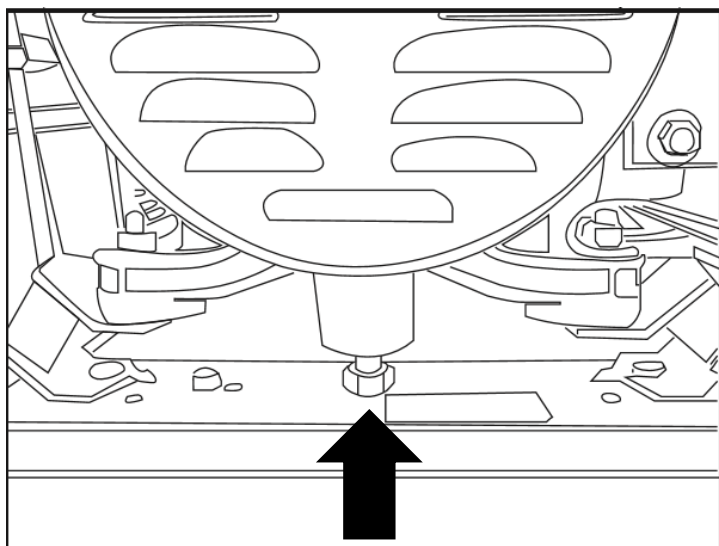
🔧 **Come collegare le ruote:**
Collegare le ruote alla staffa utilizzando le viti da 100mm con i relativi dadi

🔧 **Come collegare i piedini:**
collegare i piedini antivibranti alla parte inferiore del generatore e la staffa utilizzando le viti da 30mm e 20mm con relativi dadi

15.2 RIMUOVERE IL BULLONE DI TRASPORTO

NOTA: Questa unità viene fornita con un bullone di trasporto, prima di avviare il generatore assicurarsi di rimuoverlo e il manicotto di gomma dalla staffa di montaggio del motore.

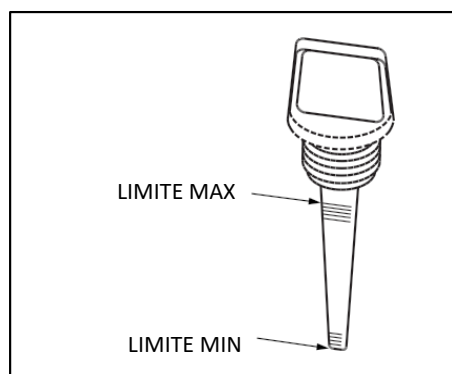
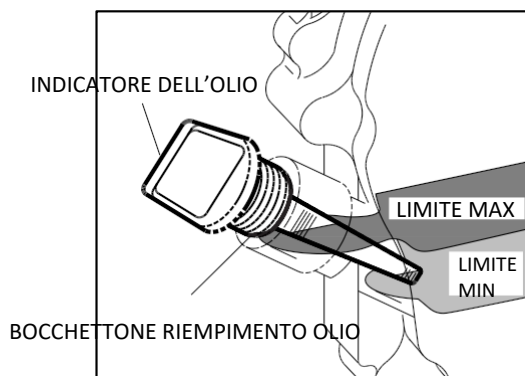
In caso contrario può causare gravi danni al generatore durante il funzionamento.



15.3 CONTROLLO OLIO MOTORE

NOTA: questa attrezzatura è fornita senza olio nel carter. Per evitare danni, mettere l'olio nel carter prima di tentare di avviare l'attrezzatura per la prima volta.

- 🔦 Prima di controllare o di riempire l'olio, assicurarsi che il generatore sia su una superficie piana con il motore spento.
- 🔦 Rimuovere il tappo di riempimento e controllare il livello dell'olio motore.
- 🔦 Se il livello dell'olio è al di sotto del limite, riempire con l'olio adatto (vedi tabella olio) fino al limite massimo.
- 🔦 Cambiare l'olio se contaminato vedi capitolo 7.1.



Capacità olio:

Modelli generatori GE-2000M, GE2000, GE3000M, GE-3000, GE-3000MUK, GE-3000UK: 0.6 litri (0.16 gal)

Modelli generatori GE5000M, GE5000, GE-5000UK, GE-5000MUK, GE-6000M, GE6000, GE-6000UK, GE-6000MUK

GE-6000TM, GE-6000T, GE-7000M, GE-7000, GE-7000MUK, GE-7000UK, GE-7000TM, GE-7000T: 1.1 litri (0.3 gal)

Olio motore raccomandato:

Utilizzare olio per motori a 4 tempi di API classe SE o successiva (SG, SH or SJ è raccomandato). Si raccomanda l'olio SAE 10W-30 or 10W-40 per un uso generico a tutte le temperature. Se si utilizza un olio con solo una viscosità, si deve selezionare quello adeguato alla temperatura media del territorio della sua residenza.

Tabella olio:

GRADO SINGOLO	5W	10W	20W	#20	#30	#40	
MULTIGRADO	10W-30		10W-40				
TEMP. AMBIENTALE	-20	-10	0	10	20	30	40°C
	-4	14	32	50	68	86	104°F

15.4 INSTALLAZIONE BOMBOLA GPL/PROPANO

ATTENZIONE: Zolfo, acqua, polvere sono dannosi per il motore. Se la fonte di rifornimento del gas contiene questi elementi nocivi, l'utente deve utilizzare un filtro per rimuovere lo zolfo, acqua ecc. e assicurare quindi una fornitura di gas pulita. In caso contrario la durata del motore sarà ridotta.

Utilizzare solo miscele di GPL/PROPANO di alta qualità per evitare danni al motore. Il GPL/PROPANO è un gas combustibile; è incolore e invisibile ad occhio nudo. Il GPL/PROPANO ha un odorizzante innocuo aggiunto in modo che sia possibile sentirne l'odore. L'utente deve avere familiarità con l'odore di GPL/PROPANO (odora di solfuro o uova marce). Se in qualsiasi momento viene identificato l'odore di GPL / PROPANO, spegnere il motore. Se la perdita persiste, rimuovere la bombola. Non tentare mai di utilizzare un'attrezzatura che ha una perdita sospetta.

- ⚠ Bruciando il GPL/PROPANO si produce monossido di carbonio. Esso è invisibile, inodore e può essere letale. Utilizzare il generatore in una zona chiusa può essere pericoloso.
- ⚠ Utilizzare solo nelle zone ben ventilate. Se si verificano mal di testa, sonnolenza o nausea, spegnere l'attrezzatura e prendere una boccata di aria fresca rapidamente.
- ⚠ Non utilizzare mai dove la gente dorme.
- ⚠ Seguire le istruzioni per un uso corretto.
- ⚠ Tenere fuori dalla portata dei bambini.
- ⚠ Non immagazzinare a temperature superiori a 49°C (120 F°)
- ⚠ Non immagazzinare negli spazi abitativi
- ⚠ Utilizzare la bombola finché non è completamente vuota.
- ⚠ Mai mettere nei bagagli o prendere sui treni o aerei .
- ⚠ Quando la bombola è vuota si prega di rispettare le normative locali e restituire al fornitore per il riempimento o in caso di contenitori non riutilizzabili, contattare il trasportatore di rifiuti locali o il centro di riciclaggio. Non mettere le bombole vuote sul fuoco o nell'inceneritore. Non forare.

PRIMA DELL'UTILIZZO

1-Controllare la bombola. Scartare la bombola se è sporca o se è presente della ruggine nella valvola.

2-Spegnere l'attrezzatura.

3-Collegare la bombola per uso esterno lontana da fiamme pilota, fiamme, scintille e da altre fonti di ignizione. Queste fonti possono infiammare perdite di gas.

4-Serrare solo manualmente. Non utilizzare strumenti per stringere. L'eccessivo serraggio può

danneggiare la bombola.

5-Controllare se ci sono perdite. Mettere dell'acqua saponata sulle connessioni. Cercare le bolle. Ascoltare il sibilo per verificare le perdite di gas. Verificare se la bombola è estremamente fredda. Odore di uova marce. Non utilizzare se perde.

6-Leggere e seguire le istruzioni.

DURANTE L'UTILIZZO

Non utilizzare vicino a fiamme pilota, fiamme, scintille e ad altre fonti di ignizione. Queste fonti possono infiammare se ci sono perdite di gas.

DOPO L'UTILIZZO

1) Spegner il motore e lasciarlo raffreddare.

2) Scollegare la bombola quando non è in uso.

3) Tenere all'aperto e lontano da fiamme pilota, fiamme, scintille e da altre fonti di ignizione. Queste fonti possono infiammare perdite di gas.

4) Sostituire il tappo per mantenere la valvola pulita.

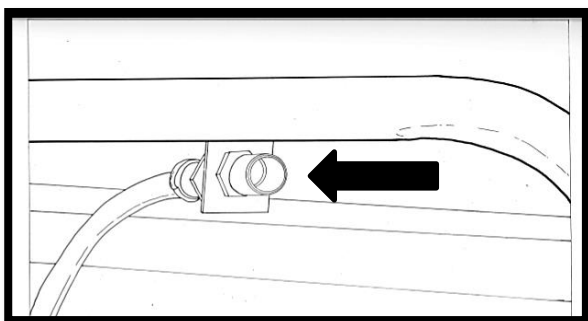
IN CASO DI INCENDIO

1-Lasciare l'area rapidamente e chiamare i vigili del fuoco locali per chiedere aiuto.

2-Lasciare la bombola bruciare.

Come collegare una bombola GPL/PROPANO (1):






- 🔧 Tenere la bombola chiusa.
- 🔧 Assicurarsi che il motore sia spento.
- 🔧 Collegare il tubo flessibile all'entrata del gas, inserire l'estremità filettata del tubo nell'entrata gas e avvitare in senso antiorario.



- 🔧 Collegare la bombola GPL/PROPANO
- 🔧 Utilizzare una chiave per stringere il dado a ciascuna estremità della tubazione e controllare che nel collegamento non vi siano perdite.
- 🔧 Tutte le giunture del tubo del gas devono essere accuratamente fissate prima di utilizzare l'attrezzatura. Controllare che non ci siano perdite o rotture, sostituire quelli danneggiati, se necessario. Controllare la tubazione per eventuali danni prima di ogni utilizzo. Il GPL / PROPANO deve essere sempre utilizzato in base alle istruzioni dei fornitori.
- 🔧 Utilizzare gli accessori e i componenti ufficiali di Greengear Global Ltd o Cavagna Group.

CONTROLLO DELLE PARTI COMPONENTI / AMBIENTE INTORNO AL GENERATORE

Controllare le seguenti prima di avviare il motore:

-  Controllare che la bombola sia in buone condizioni. Controlla che la connessione sia fissata strettamente e che non vi siano perdite.
-  Controllare che i bulloni e i dadi siano strettamente avvitati.
-  Controllare se vi siano dei componenti danneggiati.
-  Controllare che il generatore non sia appoggiato sul o contro ogni cavo adiacente.
-  Verificare che l'area circostante il generatore sia libera.



ATTENZIONE Assicurarsi di rivedere tutte le avvertenze per prevenire il rischio di incendi.



ATTENZIONE Mantenere l'area libera da materiali infiammabili e pericolosi.



ATTENZIONE Tenere il generatore ad almeno 1 metro di distanza dagli edifici e da altre strutture.



ATTENZIONE Mettere il generatore in funzione solo in un'area asciutta e ben ventilata.



ATTENZIONE Tenere il tubo di scarico libero da oggetti estranei.



ATTENZIONE Tenere il generatore lontano da fiamme libere. Non fumare!



ATTENZIONE Tenere il generatore su una superficie piana e stabile.



ATTENZIONE Non ostruire le aperture d'aria con carta o altro materiale.

15.5 INSTALLAZIONE DELLA BATTERIA



ATTENZIONE

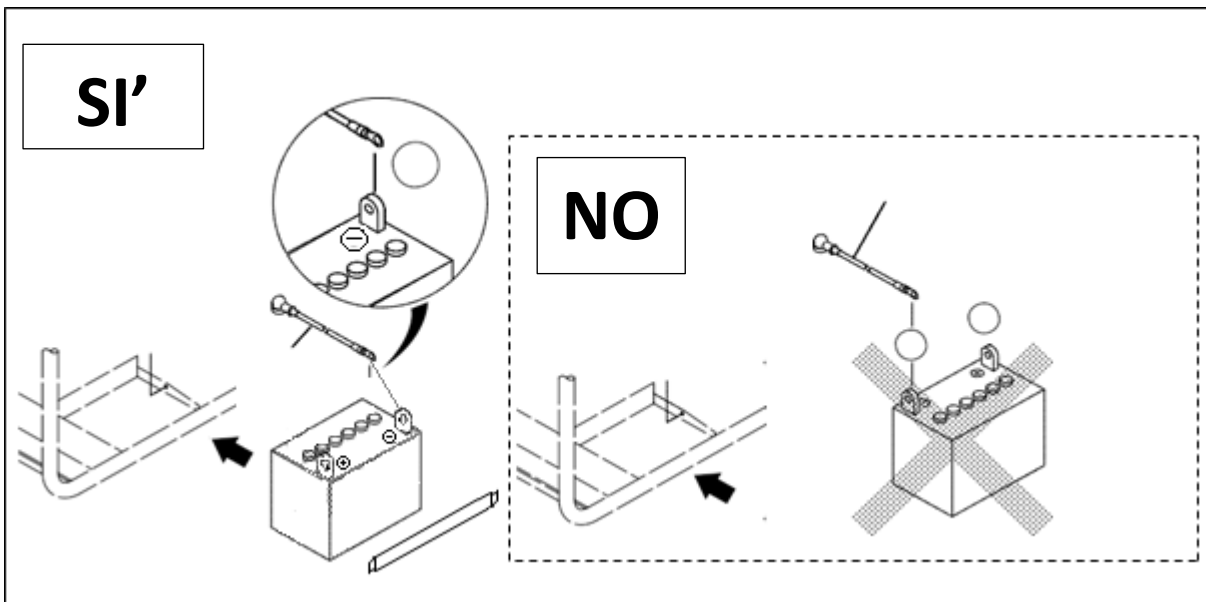
Morte, lesioni personali e/o danni alle proprietà si possono verificare a meno che le istruzioni vengano seguite attentamente. Utilizzare la capacità di batteria raccomandata.

Batteria raccomandata: 12V-24AH di capacità o superiore

Posizionare l'interruttore di avviamento su "STOP" quando si monta o si smonta la batteria. Quando si fissa la batteria, connettere prima il cavo positivo (+) e poi quello negativo alla batteria. Prestare attenzione per non tagliare i cavi della batteria. Quando si rimuove la batteria, disconnettere prima il cavo negativo (-).

CAVO ROSSO: Terminale(+) positivo

CAVO NERO: Terminale(-) negativo



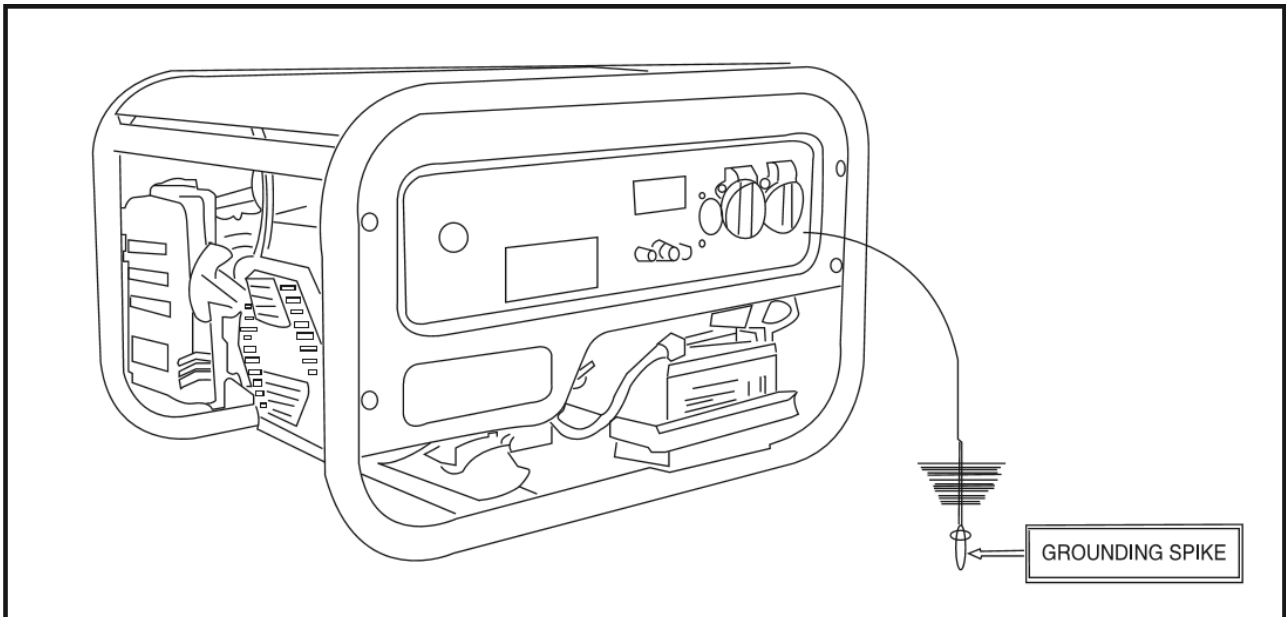
- ⚠ Se il collegamento viene effettuato in modo errato, il generatore non funzionerà correttamente.
- ⚠ Stringere saldamente i bulloni e i dadi in modo che non vengano allentati dalle vibrazioni.
- ⚠ Scollegare i cavi della batteria quando è in carica.

COME INSTALLARE LA BATTERIA (VEDI "PARTI OPZIONALI")

15.6 MESSA A TERRA DEL GENERATORE

Per la messa a terra del generatore, connettere il cavo al suolo o a un conduttore che è stato già collegato a terra.

Se tale conduttore di terra non è disponibile, collegare il capocorda di terra del generatore al terminale di terra dello strumento o apparecchio elettrico.



16. PROCEDURE OPERATIVE

16.1 AVVIAMENTO DEL MOTORE

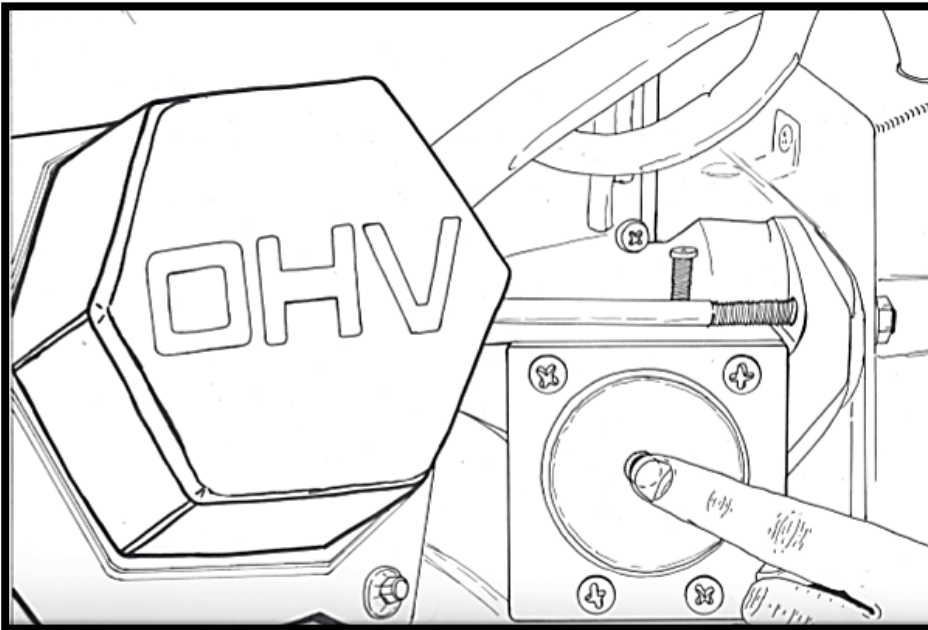
ATTENZIONE: Controllare il livello dell'olio prima di ogni operazione come indicato nel capitolo 4.2.

- 1- Aprire la bombola GPL/PROPANO girando la valvola in senso antiorario.
- 2- Se presente premere il pulsante di re-set sul regolatore.
- 3- Premere il pulsante di innesco sul carburatore ENERKIT (illustrazione) 1 or 2 volte altrimenti se il motore ha difficoltà ad avviarsi.

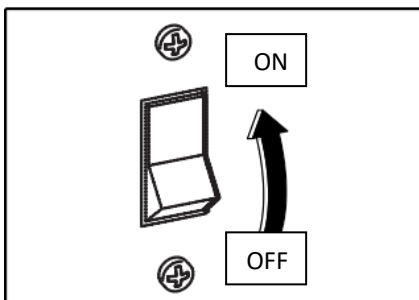


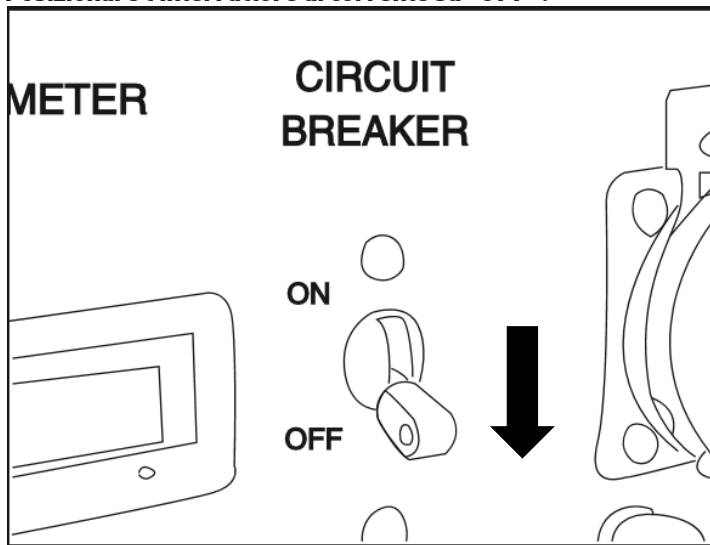
ATTENZIONE

- Premere il pulsante di innesco troppe volte quando il motore è spento può causare gravi problemi al motore.
- Premere il pulsante di innesco mentre il motore è acceso può alterare la carburazione e modificare la miscela di gas/aria aumentando così le emissioni e se viene eseguito per troppo tempo può causare gravi problemi al motore.

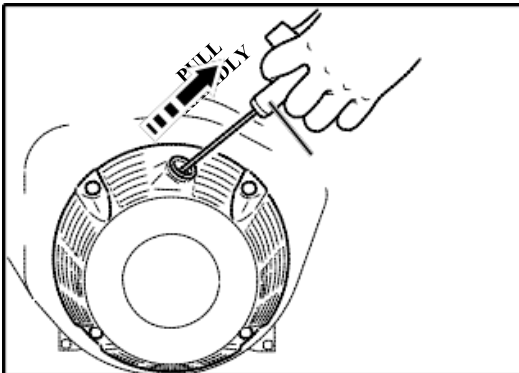


- 4- Posizionare l'interruttore del motore su "ON" (Solo per quelli manuali).



5- Posizionare l'interruttore di corrente su "OFF".**6a) Modello ad avviamento manuale**

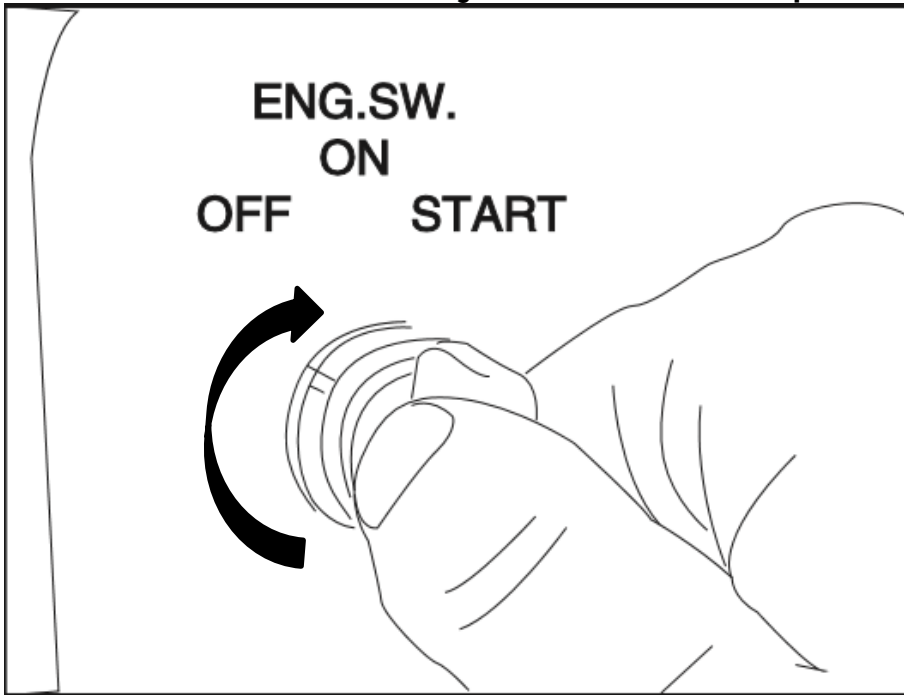
Tirare la manopola di avviamento lentamente fino a sentire una certa resistenza. Questo è il punto di "compressione". Rimettere la manopola nella posizione originaria e tirare rapidamente. Non tirare completamente fuori la corda. Dopo l'avviamento, lasciare la manopola di avviamento a ritornare nella posizione originaria pur tenendo la manopola.



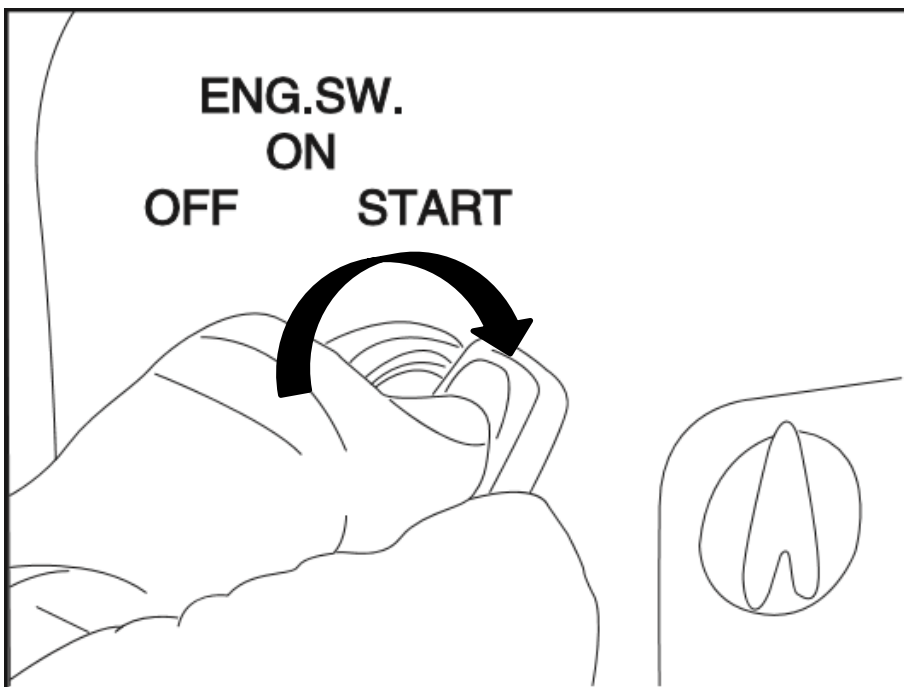
6b)

Modello ad avviamento elettrico

Inserire la chiave nell'interruttore e girala in senso orario nella posizione "ON" per avviare il motore.



Poi girare in seguito nella posizione "START". NOTA: Quando si avvia per la prima volta, utilizzare la manopola di avviamento fino a quando il motore non parte.



ATTENZIONE: Non eseguire l'avviamento del motore per più di 5 secondi. Se il motore non si avvia riportare la chiave nella posizione "ON" e attendere circa 10 secondi prima di avviare nuovamente. Non girare la chiave nella posizione "START" quando il motore è in funzione per evitare danni all'avviamento del motore.

Quando si avvia il motore con la manopola di avviamento, girare la chiave nella posizione "ON" e tirare la manopola.

16.2 UTILIZZO DEL PRODOTTO

ATTENZIONE: Assicurarsi che l'apparecchio sia spento prima di collegarlo al generatore. Non spostare il generatore mentre è in funzione. Assicurarsi di mettere a terra il generatore.

La mancata messa a terra dell' attrezzatura può causare una scossa elettrica.

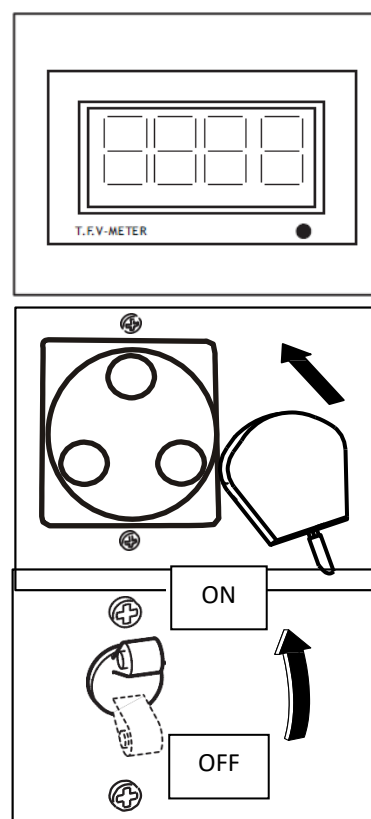
APPLICAZIONE AC

a) Controllare il voltmetro per la tensione corretta. Questo generatore è testato accuratamente e regolato nella fabbrica. Se il generatore non produce la tensione specificata, consultare la filiale più vicina.

b) Spegner l'apparecchio prima di collegarlo al generatore.

c) Inserire la spina dell'apparecchio nella presa. Controllare l'amperaggio usando come riferimento la tabella a pag.32 (Capitolo 11) ed essere sicuri di non superare l'amperaggio indicato. Assicurarsi che la potenza totale di tutti gli apparecchi non superi la potenza nominale del generatore.

d) Accendere l'apparecchio.



NOTA: Se l'interruttore si spegne durante il funzionamento, il generatore è sovraccaricato oppure l'apparecchio è difettoso. Spegner il generatore immediatamente, controllare l'apparecchio e/o il generatore per verificare la eventuale presenza di un guasto.

CONNESSIONE CON IL CIRCUITO ELETTRICO RESIDENZIALE



ATTENZIONE

Questo generatore è neutro a terra. Se il generatore deve essere collegato alla linea elettrica residenziale o commerciale, come fonte di alimentazione stand-by durante un'interruzione di corrente, tutti i collegamenti devono essere eseguiti da un elettricista autorizzato. Errori nel collegamento possono provocare la morte, lesioni gravi e danni al generatore, agli apparecchi e al cablaggio dell'edificio oppure incendi.

Quando si connette il generatore con il circuito elettrico di casa, la potenza output del generatore deve

essere presa dalla presa 220V.

Installare un interruttore di trasferimento. Esso deve essere installato per trasferire il carico dalla fonte di alimentazione commerciale al generatore. L'interruttore è necessario per evitare incidenti causati dalla ripresa dall'interruzione di corrente. Utilizzare un interruttore di trasferimento della giusta capacità. Installarlo tra il contatore e il fusibile o scatola dell'interruttore AC.

ATTENZIONE: Se il cavo neutro del circuito elettrico di casa è messo a terra, assicurarsi di mettere a terra il terminale del generatore. Altrimenti una scossa elettrica potrebbe verificarsi all'utente.

APPLICAZIONE DC

Carica della batteria

NOTA: Potrebbe essere necessario caricare direttamente la batteria dopo l'acquisto. Si consiglia di caricarla completamente con un caricabatteria durante la prima carica.

**Connettere il terminale (rosso) positivo del generatore al terminale (+) positivo della batteria.
Connettere il terminale (nero) negativo del generatore al terminale (-) negativo della batteria.**

Utilizzare la manopola di avviamento per avviare il generatore e la batteria inizierà a caricarsi quando entrerà in funzione.

Nota: Entrambi l'output AC e DC possono essere utilizzati allo stesso tempo se l'output totale è entro l'output nominale del generatore.

Caricabatteria

Scollegare i cavi della batteria quando è in carica..

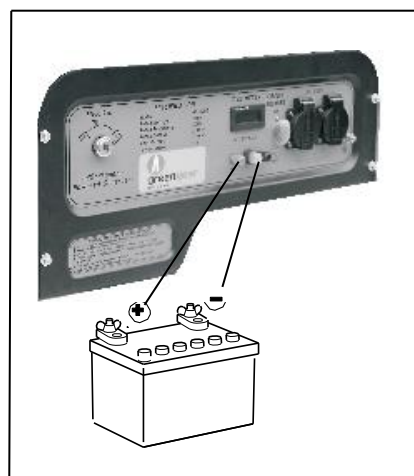
Collegare il caricabatteria.

Nota: Un ciclo di carica/scarica è consigliato.

Una volta ricaricata completamente ricollegare al generatore.

Connettere il terminale (rosso) positivo del generatore al terminale (+) positivo della batteria.

Connettere il terminale (nero) negativo del generatore al terminale (-) negativo della batteria.



PRECAUZIONI DI SICUREZZA QUANDO SI CARICA

- Un gas esplosivo viene scaricato attraverso i fori di ventilazione della batteria durante la carica. Non lasciare scintille e fiamme libere intorno al generatore o alla batteria quando è in carica.

- L'elettrolita liquido può bruciare gli occhi e gli indumenti. Prestare la massima attenzione per evitare il contatto. In caso di contatto, lavare immediatamente la parte interessata con l'acqua e consultare un medico per il trattamento.

-Quando si carica una batteria di grande capacità o una batteria completamente scarica, la corrente eccessiva può spingere l'interruttore DC a spegnersi. In questi casi, utilizzare un caricabatteria per caricare una grande batteria con AC output.

-I difetti della batteria possono spegnere l'interruttore DC. Controllare la batteria prima di sostituire l'interruttore DC.

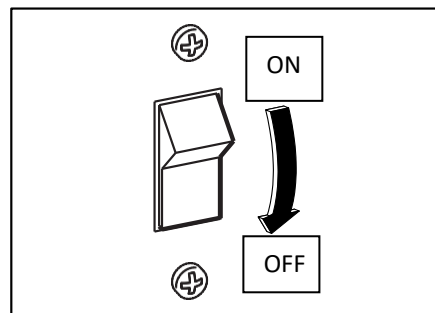
16.3 ARRESTO DEL GENERATORE

1-Spegnere l'apparecchio elettrico e staccare la spina dalla presa del generatore.

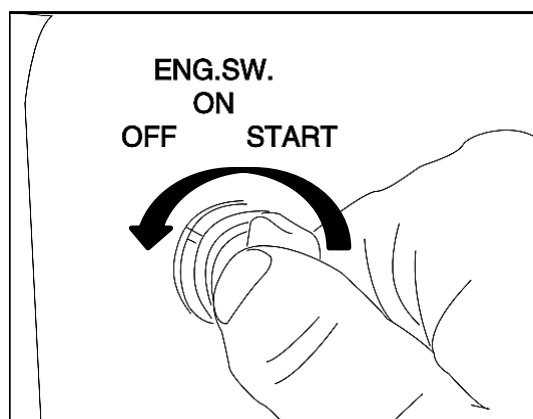
2-Posizionare l'interruttore della corrente alternata su "OFF".

3-Lasciare raffreddare il motore circa 3 minuti prima di spegnere.

4a) **Modello avviamento manuale:** Posizionare l'interruttore di avviamento su "OFF".



4b) **Modello avviamento elettrico:** Posizionare la chiave di accensione su "STOP".



5- Chiudere la valvola della bombola GPL/PROPANO

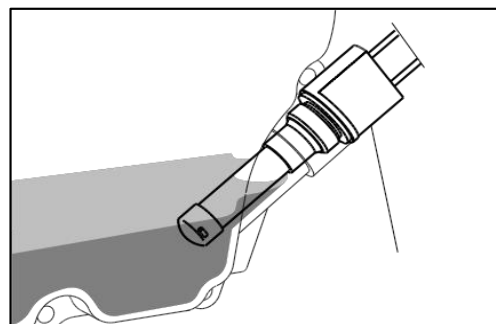
16.4 SENSORE OLIO

1-Il sensore dell'olio rileva l'abbassamento del livello dell'olio nel carter e arresta automaticamente il motore quando esso scende sotto quello predeterminato.

2-Quando si arresta il motore, spegnere l'interruttore del generatore, e controllare il livello dell'olio. Riempire fino al limite massimo come indicato nel capitolo 4.2 e riavviare il motore.

3-Se il motore non si avvia utilizzando le solite procedure di avviamento, controllare il livello dell'olio.

ATTENZIONE: Non rimuovere la sonda del sensore quando si riempie dell'olio. Rimuovere il tappo di riempimento dell'olio sul lato opposto del carburatore.



SENSORE OLIO

17. INFORMAZIONI SUI WATT

Alcuni prodotti hanno bisogno di una carica di energia quando devono essere accesi. Questo significa che la quantità di corrente elettrica necessaria per accendere il prodotto collegato può essere superiore a quella richiesta durante l'uso.

Gli elettrodomestici e utensili elettrici normalmente sono dotati di un'etichetta indicante la tensione, cicli / Hz, amperaggio (ampere) e potenza elettrica necessaria per far funzionare l'apparecchio o strumento.

Verificare con il rivenditore più vicino le domande riguardanti l'aumento di potenza di alcuni apparecchi o utensili elettrici.

Carichi elettrici quali lampade ad incandescenza e piastre richiedono la stessa potenza in accensione e anche durante l'utilizzo. Carichi come lampade fluorescenti richiedono da 1,2 a 2 volte il wattaggio indicato durante l'avviamento. Carichi di lampade al mercurio richiedono 2-3 volte il wattaggio indicato durante l'avvio.

I motori elettrici richiedono una grande quantità di corrente per accensione. I requisiti di alimentazione dipendono dal tipo di motore e dal suo uso. Una volta abbastanza "potenza" è raggiunto per avviare il motore, l'apparecchio richiede solo dal 50% al 30% della potenza per continuare a funzionare. La maggior parte degli utensili elettrici richiedono da 1,2 a 3 volte la loro potenza per il funzionamento sotto carico durante l'uso. Per esempio, un generatore di 5.000 watt può alimentare un attrezzo elettrico da 1800 a 4000 watt.

I carichi come quelli di pompe sommerse e compressori ad aria richiedono una grande quantità di corrente per l'accensione. Hanno bisogno da 3 a 5 volte la normale quantità di watt di funzionamento per accendersi. Per esempio, un generatore di 5.000 watt sarebbe solo in grado di far funzionare una pompa 1.000 a 1.700 watt.

NOTE: Fai riferimento ai tuoi prodotti per i watt corretti.

Per determinare i watt totali richiesti per far funzionare un particolare prodotto o strumento, moltiplicare il valore di tensione dell'apparecchio/strumento per l'amperaggio (Ampere) dello stesso. Le informazioni relative alla tensione e amperaggio possono essere trovate su una targhetta dei prodotti.

CONDIZIONI DI FUNZIONAMENTO

I generatori possono sopportare un carico fino alla potenza nominale in determinate condizioni ambientali. Quando si utilizza a temperature, altitudini, umidità più elevate rispetto a quelle indicate nelle condizioni di riferimento, la performance diminuisce. Le condizioni di riferimento standard sono:

Temperatura ambientale	25°C
Pressione ambientale	100 kPa
Umidità relativa	30%
Altitudine	1000 m

Il generatore può avviarsi e funzionare a temperature ambientali comprese tra -10°C and 40°C.

OPERAZIONE AD ALTE ALTITUDINI

La potenza diminuisce di circa 3.5% per ogni 300m (1,000 piedi) di aumento di altitudine. L'effetto dell'altitudine nel ridurre la potenza sarà maggiore se non viene effettuata alcuna modifica al carburatore.

TEMPERATURE

Le temperature basse causano una diminuzione della pressione del gas nella bombola provocando un congelamento prematuro di essa e compromettendo così la performance del generatore.








PRESSIONE AMBIENTALE

La bassa pressione atmosferica influisce sulla densità dell'aria e quindi riduce l'efficienza della combustione. Ciò comporta una riduzione della performance del generatore.

18. MANUTENZIONE

Gli interventi di manutenzione, riparazione e sostituzione del sistema di controllo delle emissioni e dei componenti devono essere eseguiti da un personale qualificato e autorizzato.

CONTROLLO GIORNALIERO

-  **Verificare la presenza di vibrazione eccessiva, rumori.**
-  **Controllare il livello dell'olio e la qualità.**
-  **Controlla che l'area circostante il generatore sia libera.**
-  **Controllare il filtro d'aria e pulire se necessario.**
-  **Controllare le giunture e il tubo del gas per perdite o rotture.**
-  **Controllare per eventuali dadi o bulloni allentati o rotti.**
-  **Controllare il motore per evidenti perdite di olio.**

MANUTENZIONE PERIODICA

La manutenzione periodica è fondamentale per il funzionamento sicuro e efficiente del generatore. Controllare la tabella sotto riportata per intervalli di manutenzione periodica.

E' anche necessario per l'utente assicurare la manutenzione e la regolazione delle parti relative all'emissione sotto elencate per mantenere il sistema di controllo delle emissioni efficace.

Il sistema di controllo delle emissioni consiste nelle seguenti parti:

- (1) Carburatore Enerkit**
- (2) Partenza a freddo, se applicabile**
- (3) Collettore di aspirazione, se applicabile**
- (4) Elementi nel filtro dell'aria**
- (5) Candela**
- (6) Sistema di accensione elettronico**
- (7) Anticipo di accensione, se applicabile**
- (8) Collettore di scarico, se applicabile**
- (9) Tubi, cinghie, connettori e componenti**

Il programma di manutenzione indicato nella tabella è basato sul normale funzionamento del generatore. Se il generatore viene usato in condizioni estremamente polverose o di carico più pesante, gli intervalli di manutenzione devono essere accorciati a seconda della contaminazione dell'olio, dell'intasamento degli elementi filtranti, delle parti usurate e così via.

Elementi di manutenzione	Ogni 8 ore (giornaliero)	Ogni 20 ore	Ogni 50 ore (settimanale)	Ogni 200 ore (mensile)	Ogni 500 ore	Ogni 1000 ore
PULIZIA GENERATORE E CONTROLLO BULLONI E DADI	🔧 (giornaliero)					
CONTROLLO E RIEMPIMENTO OLIO MOTORE	🔧 (riempire ogni giorno fino al livello massimo)					
CAMBIO OLIO MOTORE (*Nota1)		🔧 (iniziale)	🔧 (ogni 100 ore)			
PULIZIA CANDELA			🔧			
PULIZIA FILTRO ARIA			🔧			
PULIZIA ELEMENTI FILTRO ARIA				🔧		
PULIZIA FILTRO CARBURANTE				🔧		
PULIZIA E REGOLAZIONE CANDELA E ELETTRODI				🔧		
SOSTITUZIONE CANDELA					🔧	
PARASCINTILLE			🔧 (ogni 100 ore)			
CONTROLLO E REGOLAZIONE VALVOLE (*Nota 2)					🔧	
PULIZIA E REGOLAZIONE CARBURATORE (*Nota 2)					🔧	
PULIZIA E SOSTITUZIONE SPAZZOLE						🔧

***Nota 1.** Il cambio iniziale dell'olio deve essere eseguito dopo le prime venti (20) ore di funzionamento. Successivamente, cambiarlo ogni cento (100) ore. Prima di cambiarlo, cercare un modo adeguato per buttare via l'olio usato. Non scaricarlo nelle fognature, nel giardino o nei corsi d'acqua. Le norme ambientali locali daranno delle istruzioni più dettagliate per il corretto smaltimento.

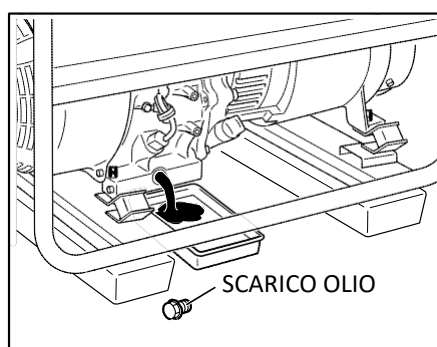
***Nota 2.** Deve essere eseguito dal rivenditore, a meno che siate dotati di strumenti di riparazione adatti e addestrati correttamente e qualificati meccanicamente.

18.2 CAMBIO OLIO DEL MOTORE

Cambiare l'olio dell'motore ogni 100 (Per motori nuovi, cambiarlo dopo 20 ore).

- 3- Scaricare l'olio rimuovendo il tappo di scarico e il tappo riempimento dell'olio mentre il motore è ancora caldo.
- 4- Reinstallare il tappo di scarico e riempire d'olio il motore fino al limite massimo.

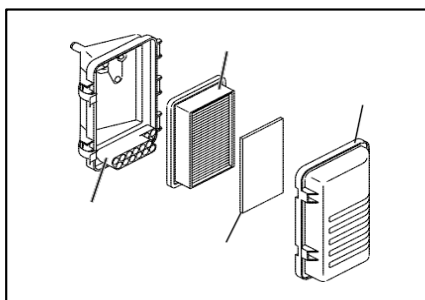
Utilizzare l'olio lubrificante di alta qualità fino al livello specificato come illustrato al capitolo 4.2. Se l'olio utilizzato è contaminato o deteriorato oppure la quantità non è sufficiente, il motore si danneggia e la durata prevista sarà notevolmente ridotta.



18.3 PULIZIA FILTRO D'ARIA

ATTENZIONE Non lavare gli elementi con cherosene, benzina o olio.

Un elemento del filtro d'aria sporco provoca difficoltà di avviamento, perdita di potenza, malfunzionamenti e la durata del motore ridotta. Tenere sempre l'elemento filtrante pulito.



1. Gomma di poliuretano

Lavare e pulire la schiuma in uretano con il detergente. Dopo la pulizia, asciugarla. Pulire la schiuma di uretano ogni 50 ore.

2. Elemento di carta

Pulire picchiettando delicatamente per rimuovere lo sporco e la polvere. Non utilizzare mai l'olio. Pulire l'elemento in carta ogni 50 ore di lavoro e sostituirlo ogni 200 ore.

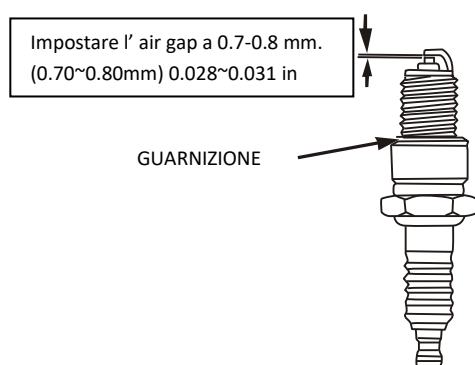
Pulire e sostituire gli elementi del filtro d'aria più frequentemente quando si lavora in ambienti polverosi.

18.4 PULIZIA E REGOLAZIONE DELLA CANDELA

Se la candela è contaminata con carbonio, rimuoverlo e pulirlo utilizzando spina pulente oppure una spazzola di ferro.

Controllare la distanza tra gli elettrodi. Regolare la distanza a 0.7-0.8 mm (0.028-0.031 in).

ATTENZIONE: Assicurarsi di stringere saldamente la candela, altrimenti può diventare calda e danneggiare così il motore. Non utilizzare mai una candela che abbia un grado termico non adeguato.



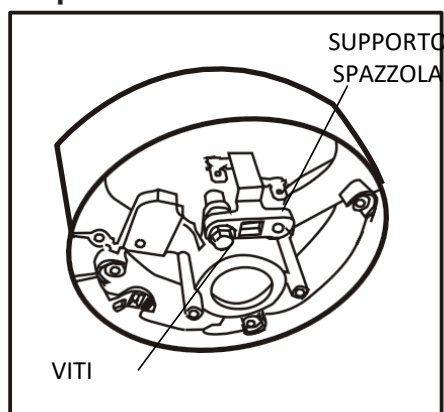
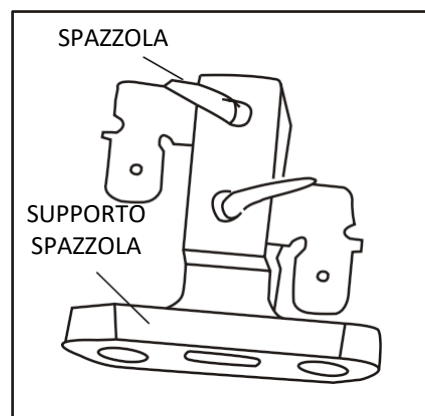
18.5 CONTROLLO DELLA SPAZZOLA DI CARBONE

Se la spazzola diventa eccessivamente usurata, la sua pressione di contatto con il collettore ad anello cambia e provoca una superficie ruvida ad esso, ottenendo prestazioni irregolari del generatore. Controllare la spazzola ogni 500 ore o quando la prestazione del generatore è irregolare. Se è lunga 5mm (0.2 in.) o di meno, sostituire con una nuova.

(a) Rimuovere il coperchio della spazzola.

(b) Scollegare il connettore del cavo e rimuovere la spazzola.

(c) Osservare con attenzione la direzione della spazzola e la posizione relativa con il collettore ad anelli quando si installa una nuova spazzola.



ADJUSTING VALVE CLEARANCE

Due to wear of the sealing ring of the valve, the gap "A" shown in the figure decreases over time, until the contact with the cam prevents its closure. To avoid this, after a certain number of hours, must restore the valve clearance initial.

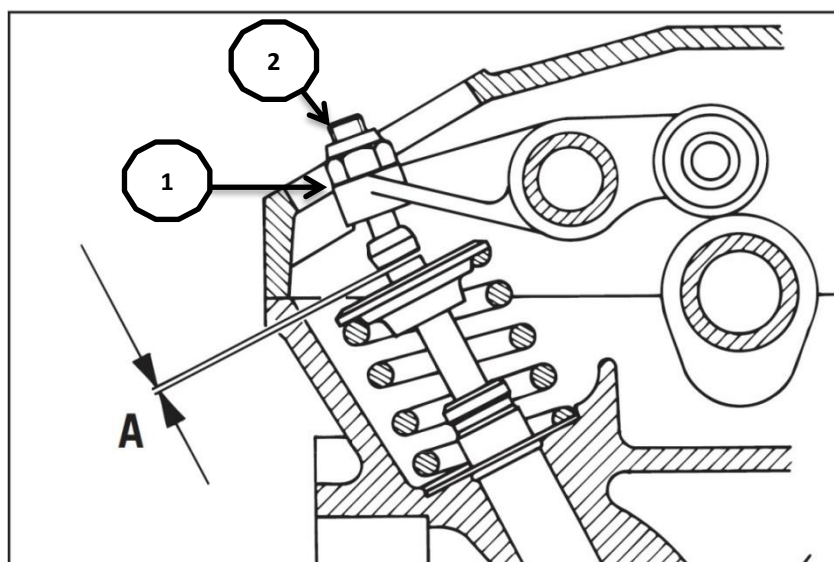
INITIAL GAP:

Intake: 27 μm

Exhaust: 27 μm

This operation should be done by your dealer, unless you are equipped with proper repair tools, and are properly trained and mechanically qualified.

⚠ WARNING: Before adjustment of the valve clearance make sure the engine is cold.



TOOLS REQUIRED:

- 🔧 Thickness Gauge
- 🔧 Screwdriver
- 🔧 Set of Allen keys

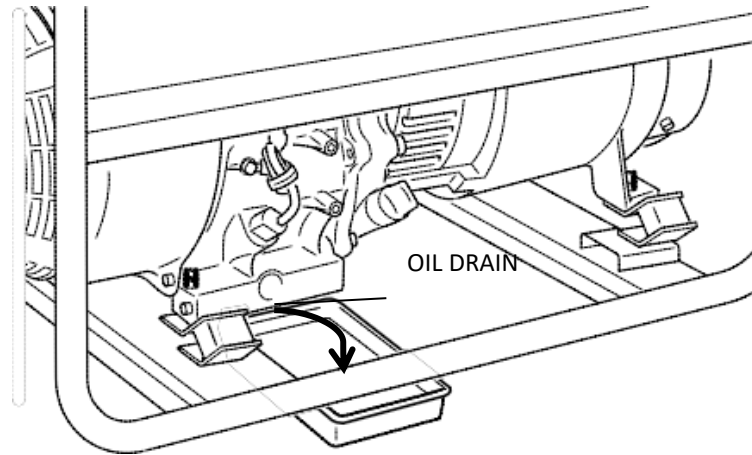
OPERATIONS:

- 8- Remove the spark plug
- 9- Remove the cylinder head cover
- 10- Check with the thickness gauge the valve clearance, if the gap is different from the initial to proceed with the adjustment.
- 11- Loosen the lock nut (1)
- 12- Turn register (2) putting the blade thickness gauge between valve and rocker
- 13- Once registered the valve clearance closes the lock nut and check that the gap has not changed (if it is changed to repeat the previous steps)
- 14- Replace the cylinder head cover.

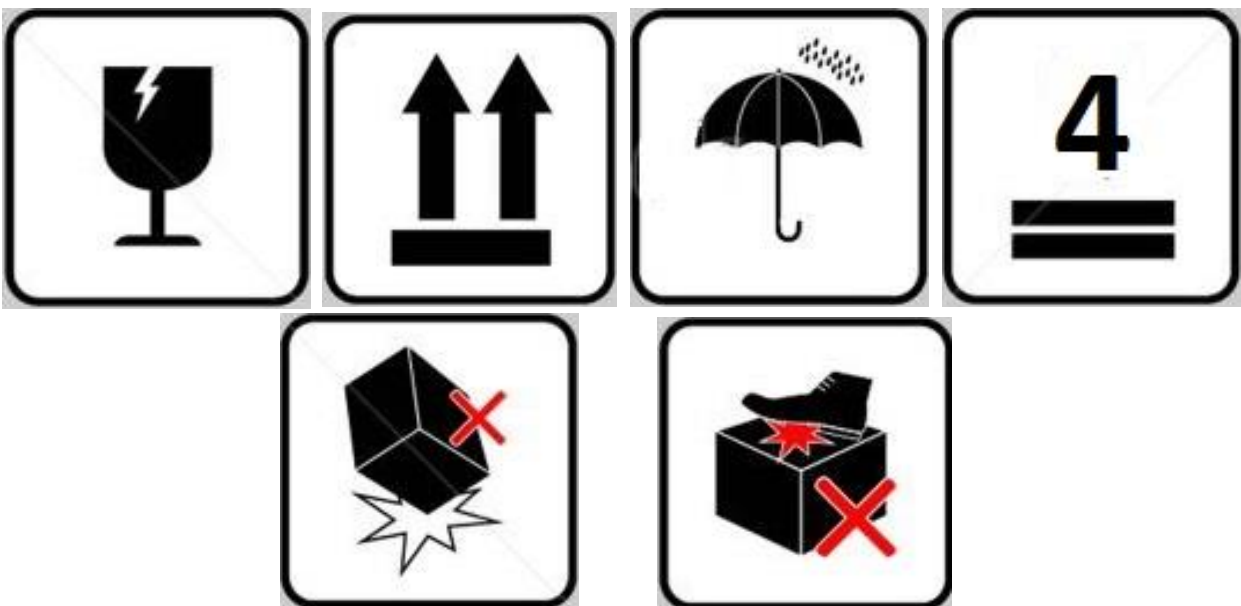
19. STOCCAGGIO E TRASPORTO

Le seguenti procedure devono essere seguite prima di immagazzinare il generatore per periodi di 6 mesi o superiori:

- ⚠ Scollegare la bombola GPL/PROPANO.
- ⚠ Lasciare raffreddare il motore. Rimuovere la candela e mettere 10 gocce dell'olio motore di alta qualità nel cilindro.
- ⚠ Scollegare la batteria utilizzata per i modelli ad avviamento elettrico, scollegando prima il cavo nero e poi quello rosso.
- ⚠ Cambiare l'olio motore.
- ⚠ Controllare i bulloni e le viti allentati, stringerli se necessario.
- ⚠ Pulire il generatore accuratamente con un panno oleato. Spruzzare con conservanti se disponibili. Non utilizzare mai l'acqua per pulire il generatore.
- ⚠ Tirare la manopola di avviamento fino a sentire una certa resistenza, lasciando la manopola in quella posizione.
- ⚠ Immagazzinarlo in un'area ben ventilata e con bassa umidità.



Non appoggiare mai il generatore a testa in giù.



20. RISOLUZIONE DEI PROBLEMI

Quando il motore del generatore non si avvia dopo diversi tentativi, o in mancanza di energia elettrica, controllare la seguente tabella. Se il generatore continua a non avviarsi o a non generare elettricità, contattare il rivenditore più vicino per ulteriori informazioni o procedure correttive.

Se il motore non si avvia:

Controllare se l'interruttore del motore è nella posizione "OFF".	Posizionare l'interruttore su "ON".
Controllare per assicurare che il generatore non sia collegato ad un apparecchio elettrico.	Se è collegato, spegnere l'apparecchio e scollegarlo.
Controllare se il filtro d'aria è sporco.	Pulire il filtro d'aria.
Controllare se il cappuccio della candela non è allentato	Se è allentato, spingere il cappuccio.
Problemi carburatore ENERKIT	Premere il pulsante di innesco
Controllare la candela se è contaminata	Rimuoverla e pulire gli elettrodi.
Bombola GPL/PROPANO vuota	Cambiare la bombola GPL/PROPANO

Se non genera energia elettrica:

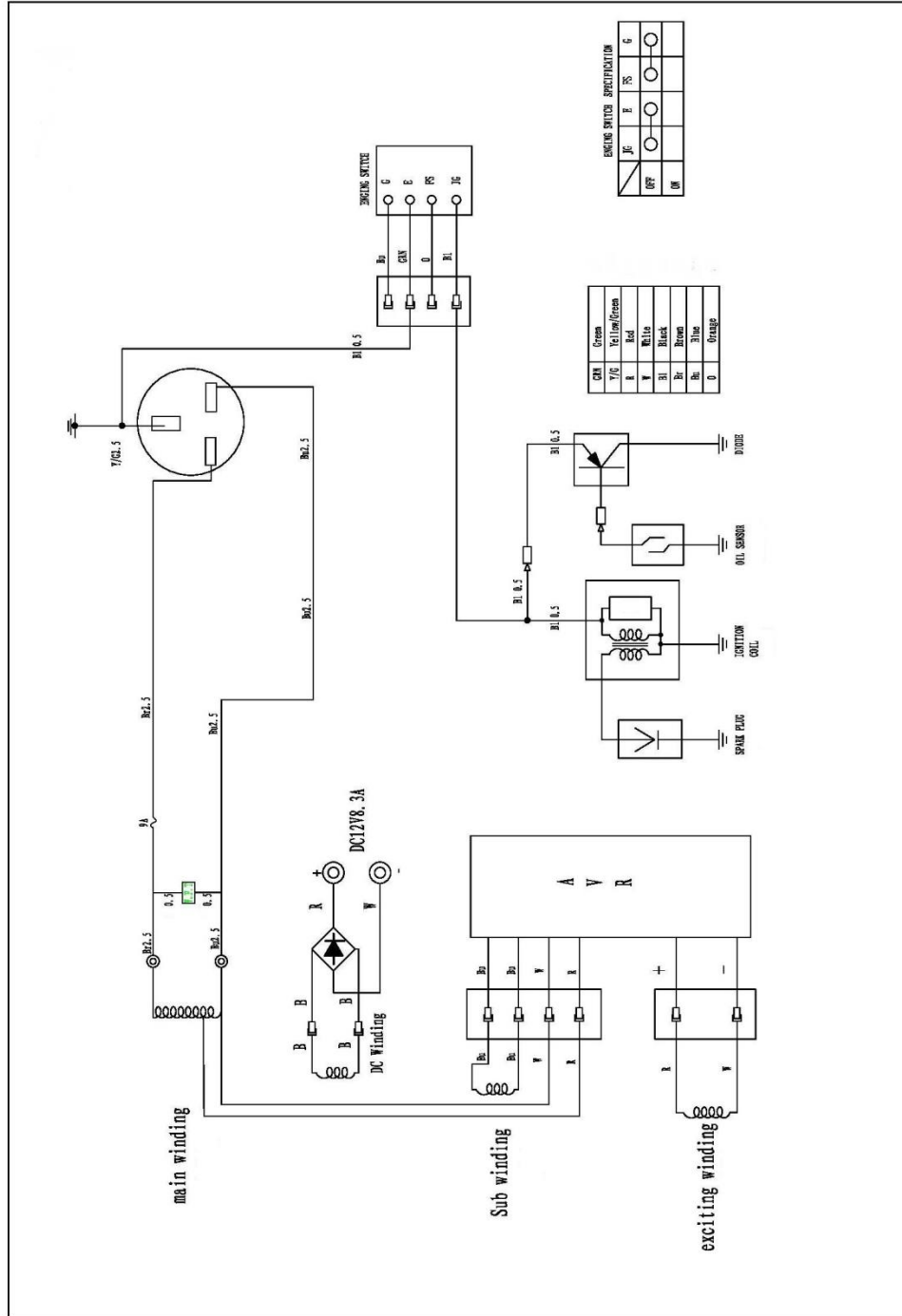
Controllare per assicurare che l'interruttore di corrente alternata sia nella posizione "ON".	Dopo aver verificato che la potenza totale degli apparecchi elettrici sia entro i limiti consentiti e che non ci siano difetti presenti all'apparecchio, posizionare l'interruttore di corrente alternata su "ON". Se l'interruttore continua ad azionarsi, rivolgersi al rivenditore più vicino.
Controllare i terminali AC e DC per collegamenti allentati.	Stringere i collegamenti se è necessario.
Controllare per assicurare che il generatore non sia collegato ad un apparecchio elettrico..	Se è collegato, spegnere l'apparecchio e scollegarlo. Ricollegare dopo che il generatore è stato avviato.
Bassa potenza	Spazzole di carbone eccessivamente usurate.

Osservare una brina sulla bombola GPL e regolatori è comune durante il funzionamento del generatore e non è una normale indicazione di un problema. Quando il GPL vaporizza e si sposta dalla bombola al generatore espande. La brina che si forma è influenzata dalla dimensione della bombola, dalla quantità di gas utilizzato, dall'umidità dell'aria e dal funzionamento del generatore. In condizioni particolari la brina può ridurre il flusso di gas al generatore risultando in performance peggiori. Ad esempio, se la temperatura della bombola diminuisce ad una velocità superiore a quella per cui il GPL vaporizza, il flusso di GPL potrebbe non essere sufficiente. Questa non è un problema con il generatore, ma è legato al flusso insufficiente di gas dalla bombola. Se le prestazioni del generatore sembrano deteriorarsi allo stesso momento con la formazione di brina sulla valvola, tubo o regolatore, possono essere intraprese alcune azioni per eliminare il sintomo. In queste rare situazioni, può essere utile ridurre o eliminare gli effetti sul sistema del carburante eseguendo una delle seguenti operazioni:

- 🔧 Scambio di serbatoi di carburante per permettere al primo serbatoio che si riscaldi; ripetendo se necessario;
- 🔧 Posizionamento della bombola GPL alla fine del generatore, dove l'aria del motore fuoriesce dal generatore. Quest'aria è leggermente scaldata passando sopra al motore. La bombola non deve essere messa davanti alla marmitta.

21. DIAGRAMMA ELETTRICO

Modelli generatori: GE-2000M, GE2000, GE3000M, GE-3000, GE-3000MUK, GE-3000UK, GE-5000M, GE-5000, GE-5000MUK, GE-5000UK, GE-6000M, GE-6000, GE-6000MUK, GE-6000UK, GE-7000M, GE-7000, GE-7000MUK, GE-7000UK.



22. CADUTA DI TENSIONE CON PROLUNGHE ELETTRICHE

Quando una lunga prolunga elettrica viene utilizzata per collegare un apparecchio o uno strumento al generatore, si verifica una perdita di una certa quantità di tensione che riduce la tensione effettiva disponibile per l'apparecchio o lo strumento.

Il grafico sotto è stato preparato per illustrare la perdita di tensione approssimativa quando un cavo di prolunga di 300 piedi (circa 100 metri) viene utilizzato per collegare un apparecchio o strumento al generatore.

Sezione nominale mm ²	A.W.G. No.	Corrente ammissibile A	Numero di fili No./mm	Resistenza /100m	Ampere							
					1A	3A	5A	8A	10A	12A	15A	
0.75	18	7	30/0.18	2.477	2.5	8V	12.5V					
1.27	16	12	50/0.16	1.486	1.5V	5V	7.5V	12V	15V	18V		
2.0	14	17	37/0.26	0.952	1V	3V	5V	8V	10V	12V	15V	
3.5	12 to	23	45/0.32	0.517		1.5	2.5V	4V	5V	6.5V	7.5V	
5.5	10 to	35	70/0.32	0.332		1V	2V	2.5V	3.5	4V	5V	



Condizione di garanzia limitata e Registrazione del prodotto

**La garanzia limitata è disponibile su
www.greengearglobal.com**

La suddetta garanzia è sostenuta dal rivenditore da cui è stato acquistato il prodotto (presentando la prova di acquisto)

Il modulo di registrazione deve essere compilato e inviato online su www.greengearglobal.com/productregistration al fine di ricevere i benefici della garanzia.



EC DECLARATION OF CONFORMITY



For the following machinery:

Product name: LPG/Propane powered generator
 Commercial name: N/A
 Function: Low power generator set
 Type: LPG/Propane
 Model No.: GE-2000M,GE-2000,GE-3000M,GE-3000,GE-3000MUK,GE-3000UK,GE-5000M,GE-5000,GE-5000MUK,GE-5000UK,GE-6000M,GE-6000,GE-6000MUK,GE-6000UK,GE-6000TM,GE-6000T,GE-7000M,GE-7000,GE-7000MUK,GE-7000UK,GE-7000TM,GE-7000T.

is herewith confirmed to fulfill all the relevant provisions of Machinery Directive (2006/42/EC) and comply with Low-Voltage Directive (2006/95/EC) and Electromagnetic Compatibility Directive (2004/108/EC) and Noise Emission Directive by equipment for use outdoors (2000/14/EC + 2005/88/EC)

and the following harmonized standard have been complied with:

- EN 12601:2010;
- EN 61000-6-2:2005;
- EN 61000-6-4:2007;

Responsible for marking this declaration is the:

Manufacturer x	Authorized representative established within the EU
Manufacturer's Name	: GREENGEAR GLOBAL SRL
Manufacturer's Address	: VIALE DUCA DEGLI ABRUZZI 163, BRESCIA, ITALY
Authorized Rep's Name	: -
Authorized Rep's Address	: -

Person responsible for compiling the technical files established within the EU

Name, Surname	: ANDREA FOGLIETTI
Address	: VIALE DUCA DEGLI ABRUZZI 163, BRESCIA, ITALY

Person responsible for making this declaration

Name, Surname	: ANDREA FOGLIETTI
Position/Title	: Managing Director

GREENGEAR GLOBAL SRL
 Via Duca Degli Abruzzi n° 163
 25124 BRESCIA
 C.F. e Part. I.V.A. 01687780906

Brescia, Italy	March 10, 2017
(Place)	(Date)



 (Company stamp and legal signature)

ISTRUZIONI ORIGINALI DI FUNZIONAMENTO E MANUTENZIONE



Greengear Global srl
Viale duca degli Abruzzi 163
25124 Brescia
www.facebook.com/greengear.co
Italia

www.greengearglobal.com
info@greengearglobal.com
Facebok:
Twitter: @greengear_



เครื่องกำเนิดไฟฟ้า เชื้อเพลิงแอลพีจี/โพรเพน (LPG/PROPANE POWER GENERATORS)

คู่มือการใช้งานและการบำรุงรักษา

Greengear power generators Models: GE-2000M, GE2000, GE3000M, GE-3000, GE-3000MUK, GE-3000UK, GE5000M, GE5000, GE-5000UK, GE-5000MUK, GE-6000M, GE6000, GE-6000UK, GE-6000MUK, GE-6000TM, GE-6000T, GE-7000M, GE-7000, GE-7000MUK, GE-7000UK, GE-7000TM, GE-7000T.



สารบัญ

1. ข้อควรระวังความปลอดภัย.....	4
2. ข้อมูลผลิตภัณฑ์.....	8
3. ข้อมูลจำเพาะ	9
4. การตรวจสอบการใช้งาน.....	13
5. ขั้นตอนการทำงาน	18
6. ข้อมูลกำลังไฟฟ้า	23
7. การบำรุงรักษา	24
8. การจัดเก็บและการขนส่ง	29
9. การแก้ไขปัญหา.....	30
10. วงจรไฟฟ้า	31
11. แรงดันไฟฟ้าลดลงในการต่อสายไฟ.....	33

1. ข้อควรระวังความปลอดภัย

ในการใช้งานอุปกรณ์ แอลพีจี/โพรเพน (ต่อไปนี้จะเรียก อุปกรณ์) ควรปฏิบัติตามข้อควรระวังพื้นฐานดังต่อไปนี้ เพื่อลดความเสี่ยงต่อการเกิดอุบัติเหตุร้ายแรง หรือความเสียหายต่ออุปกรณ์ หรือความเสียหายต่อทรัพย์สิน กรุณาอ่านคู่มือการใช้งานนี้ ก่อนเริ่มใช้งานผลิตภัณฑ์ และเก็บรักษาคู่มือการใช้งานไว้เพื่ออ้างอิงในอนาคต ข้อควรระวังต่อไปนี้เป็นสิ่งจำเป็นอย่างยิ่งสำหรับความปลอดภัยของคุณ ควรใช้อุปกรณ์อย่างเหมาะสมและระมัดระวัง รวมถึงคำนึงถึงผลกระทบที่อาจเกิดต่อบุคคลภายนอก ทั้งทางร่างกายและทรัพย์สิน

สัญลักษณ์ทั้งหมดด้านล่างมีการทำเครื่องหมายบนผลิตภัณฑ์



อ่านคู่มือการใช้งาน



เครื่องยนต์ร้อน



คว้นพิษ ห้ามใช้งานในสถานที่ปิด



ดับเครื่องทุกครั้งและรอให้เครื่องยนต์เย็นลงก่อนเปลี่ยนถังแก๊ส



ต่อสายดินเครื่องกำเนิดไฟฟ้า



ห้ามใช้งานในพื้นที่เปียกน้ำ



ระวังไฟฟ้าย้อนกลับ ควรแยกออกจากระบบไฟฟ้าของที่อยู่อาศัย



คำเตือน:

เครื่องนี้อาจทำให้เกิดสนามแม่เหล็กไฟฟ้า ในขณะที่เครื่องทำงาน สนามแม่เหล็กไฟฟ้านี้อาจมีผลกระทบกับผู้ใช้งานที่เคยผ่านการทำศัลยกรรม แนะนำให้ผู้ใช้งานที่เคยผ่านการทำศัลยกรรม ควรปรึกษาแพทย์ก่อนใช้งาน เพื่อลดความเสี่ยงที่อาจเกิดจากสนามแม่เหล็กไฟฟ้า

คำแนะนำในการเริ่มต้นใช้งาน

- ห้ามใช้งานอุปกรณ์ ในขณะที่กำลังอ่อนเพลีย ป่วย หรืออยู่ภายใต้ฤทธิ์ของยา แอลกอฮอล์

หรือยาเสพติด

- อ่านคู่มือการใช้งานอย่างละเอียด และทดลองใช้งานอุปกรณ์อย่างถูกต้อง เพื่อให้คุ้นเคยกับอุปกรณ์ก่อนเริ่มใช้งานจริง
- ไม่อนุญาตให้เด็กหรือผู้ที่ไม่คุ้นเคยใช้งานอุปกรณ์
- โปรดทราบว่าผู้ประกอบการหรือผู้ใช้งานเป็นผู้รับผิดชอบต่อการเกิดอุบัติเหตุหรืออันตรายที่เกิดขึ้นกับบุคคลภายนอกหรือทรัพย์สินของบุคคลภายนอก
- การให้หรือให้ยืมอุปกรณ์ รวมทั้งอุปกรณ์เสริมใด ๆ กับบุคคลอื่น ควรให้พร้อมคู่มือการใช้งานนี้ด้วย

การเตรียมการก่อนเริ่มใช้งาน

- ก่อนเริ่มใช้งาน ควรนำถุงพลาสติกและกล่องบรรจุภัณฑ์ทั้งหมดออก และเก็บให้พ้นมือเด็ก
- ตรวจสอบความพร้อมของอุปกรณ์ เมื่อพบชิ้นส่วนที่ขาดหายหรือชำรุด ควรรีบดำเนินการซ่อมหรือเปลี่ยนส่วนที่ชำรุด และห้ามใช้งานจนกว่าอุปกรณ์จะสมบูรณ์พร้อมใช้งาน

การใช้งาน

- ควรใช้งานอุปกรณ์นี้ให้ตรงกับวัตถุประสงค์การใช้งาน ห้ามนำอุปกรณ์นี้ไปใช้เพื่อวัตถุประสงค์อื่น เพราะอาจเป็นอันตรายหรือทำให้อุปกรณ์เสียหายได้
- ห้ามใช้งานอุปกรณ์ในพื้นที่ปิด หรืออากาศไม่ถ่ายเท เนื่องจากควันจากท่อไอเสียมีก๊าซคาร์บอนมอนอกไซด์ ซึ่งเป็นอันตรายต่อสุขภาพ
- ห้ามเปลี่ยนแปลงการตั้งค่าการควบคุมแรงดันไฟฟ้าอัตโนมัติหรือความเร็วรอบเครื่องยนต์เกินกว่าที่กำหนด
- ควรเพิ่มความระมัดระวังขณะสตาร์ทเครื่องยนต์ โดยปฏิบัติตามคำแนะนำอย่างเคร่งครัด และวางเท้าห่างจากพัดลมระบายอากาศ
- ห้ามวางอุปกรณ์เอียง หรือบนพื้นที่ไม่มั่นคง ทั้งขณะสตาร์ทเครื่องยนต์และขณะใช้งาน
- ห้ามสัมผัสสายไฟในขณะที่เครื่องยนต์กำลังทำงาน เนื่องจากอาจเกิดไฟฟ้าช็อต ทำให้บาดเจ็บได้

การบำรุงรักษาและการเก็บรักษา

- ตรวจสอบนอตและสกรู เพื่อให้แน่ใจว่าอุปกรณ์อยู่ในสภาพพร้อมใช้งาน
- ไม่ควรเก็บอุปกรณ์ที่มีถัง แอลพีจี/โพรเพน ในพื้นที่ดังต่อไปนี้
 - ก. ภายในอาคารที่มีเปลวไฟหรือประกายไฟ
 - ข. พื้นที่ที่โดนแสงแดดโดยตรง
 - ค. พื้นที่ที่มีอุณหภูมิสูงกว่า **49 องศาเซลเซียส (120 องศาฟาเรนไฮต์)**
- ไอเสียจากอุปกรณ์มีก๊าซคาร์บอนมอนอกไซด์เป็นส่วนประกอบ ซึ่งเป็นพิษต่อร่างกาย เมื่อได้รับก๊าซคาร์บอนมอนอกไซด์ในปริมาณมาก อาจทำให้หมดสติหรืออาจร้ายแรงถึงขั้นเสียชีวิตได้
- ในการจัดเก็บอุปกรณ์หลังจากใช้งาน ควรรอให้เครื่องยนต์เย็นลงก่อน

- เนื่องจากความร้อนของเครื่องยนต์อาจทำให้เกิดเพลิงไหม้ได้ หากวางใกล้กับวัสดุไวไฟ
- ควรทำการซ่อมบำรุงอุปกรณ์ให้อยู่ในสภาพสมบูรณ์อยู่เสมอ เพื่อป้องกันเครื่องยนต์เสียหาย
 - ควรรักษาความสะอาดของแถบสติกเกอร์คำแนะนำและข้อมูลต่างๆ บนอุปกรณ์



คำเตือน

ควรเปลี่ยนถังแก๊ส แอลพีจี / โพรเพน ในพื้นที่ที่มีอากาศถ่ายเทสะดวก และดับเครื่องยนต์ก่อน

กรีนเกียร์ โกลบอล

จำกัด ไม่มีส่วนรับผิดชอบในความเสียหายต่อบุคคลหรือทรัพย์สินที่เกิดขึ้นจากกรณีต่างๆ ดังนี้

1. การไม่ปฏิบัติตามคำแนะนำในคู่มือการใช้งาน

โดยเฉพาะอย่างยิ่งในเรื่องความปลอดภัยในการดำเนินงานและการบำรุงรักษา

2. การใช้งานผิดประเภทหรือไม่ได้ใช้อะไหล่แท้

ความเสียหายที่เกิดขึ้นจากกรณีดังกล่าวถือเป็นความรับผิดชอบของผู้ใช้งาน

กรีนเกียร์ โกลบอล จำกัด

ขอสงวนสิทธิ์ในการเปลี่ยนแปลงรายละเอียดและเงื่อนไขในคู่มือนี้ได้โดยไม่ต้องแจ้งให้ทราบล่วงหน้า



คำเตือน

กรุณาอ่านคู่มือการใช้งานอย่างละเอียด



คำเตือน

ห้ามใช้งานเครื่องกำเนิดไฟฟ้าใกล้กับที่เก็บเชื้อเพลิงน้ำมัน



คำเตือน

แอลพีจี/โพรเพน เป็นวัตถุไวไฟและไวระเหยติดไฟง่าย



คำเตือน

ห้ามสูบบุหรี่หรือทำให้เกิดประกายไฟในขณะที่เครื่องยนต์ทำงาน



คำเตือน

ดับเครื่องยนต์ทุกครั้งและรอเครื่องยนต์เย็นลงก่อนที่จะเปลี่ยนถัง

แอลพีจี/โพรเพน



คำเตือน

ห้ามก่อให้เกิดเปลวไฟหรือประกายไฟใกล้กับเครื่องกำเนิดไฟฟ้า



คำเตือน

ห้ามใช้เครื่องกำเนิดไฟฟ้าภายในพื้นที่ปิดหรือมีการระบายอากาศไม่เพียงพอ เนื่องจากอาจทำให้เกิดเครื่องยนต์ร้อนเกินไป และพิษจากก๊าซคาร์บอนมอนอกไซด์ในไอเสียเป็นอันตรายต่อร่างกาย หากจำเป็นต้องใช้เครื่องกำเนิดไฟฟ้าภายในที่อยู่อาศัย



คำเตือน

ไม่ควรวางหรือตั้งวัตถุอื่นปิดกั้นการระบายอากาศของเครื่องกำเนิดไฟฟ้า



คำเตือน

ควรวางเครื่องกำเนิดไฟฟ้าบนพื้นระนาบ และมั่นคง เนื่องจากขณะที่เครื่องกำเนิดไฟฟ้าทำงานจะมีการสั่นสะเทือน หากวางบนพื้นที่ไม่ลาดเอียงหรือไม่มั่นคง



คำเตือน

ควรใช้สายไฟที่ได้มาตรฐานในการต่อใช้งานกับเครื่องกำเนิดไฟฟ้า และระวังไม่ให้เครื่องวางทับสายไฟ หรือวางสายไฟพาดส่วนที่สั่นสะเทือนของเครื่องกำเนิดไฟฟ้า



คำเตือน

ห้ามใช้เครื่องกำเนิดไฟฟ้าระหว่างฝนตก มือเปียกน้ำ หรืออยู่ในพื้นที่เปียกชื้น



คำเตือน

ในกรณีที่เครื่องกำเนิดไฟฟ้าเปียกน้ำ ต้องเช็ดหรือทิ้งไว้ให้แห้งก่อนใช้งาน และห้ามฉีดน้ำหรือใช้น้ำล้างทำความสะอาดเครื่องกำเนิดไฟฟ้า



คำเตือน

ควรต่อสายดินทุกครั้งที่ใช้งานเครื่องกำเนิดไฟฟ้า เนื่องจากหากเกิดไฟฟ้าช็อต



คำเตือน

ห้ามต่อเครื่องกำเนิดไฟฟ้ากับสายไฟฟ้าของการไฟฟ้า เนื่องจากอาจเกิดกระแสไฟฟ้ากลับ ทำให้เครื่องกำเนิดไฟฟ้าเสียหายได้



คำเตือน

ห้ามสูบบุหรี่ในขณะที่ถือหรือดำเนินการใดๆ กับแบตเตอรี่ เนื่องจากแบตเตอรี่มีแก๊สไฮโดรเจน ซึ่งเป็นแก๊สไวไฟ



คำเตือน

ในระหว่างที่เครื่องยนต์ทำงาน เครื่องยนต์จะมีความร้อนสูง หลีกเลี่ยงการวางสิ่งของที่ติดไฟได้ง่ายไว้ใกล้กับเครื่องยนต์ และห้ามสัมผัสชิ้นส่วนเครื่องยนต์ที่ร้อน โดยเฉพาะอย่างยิ่งบริเวณท่อไอเสีย

การใช้งานเครื่องกำเนิดไฟฟ้าควรคำนึงถึงความปลอดภัยและใช้งานอย่างถูกต้อง ผู้ใช้งานควรอ่านคู่มือก่อนการใช้งานและปฏิบัติตามคู่มืออย่างเคร่งครัด รู้ถึงข้อจำกัดของเครื่องมือและอุปกรณ์ที่จะใช้งาน



คำเตือน



คำเตือน

ควรใช้สายต่อพวงที่ได้มาตรฐานเท่านั้น สำหรับเครื่องมือที่ใช้งานกลางแจ้ง ให้ใช้สายต่อพวงที่ระบุ "สำหรับใช้งานกลางแจ้ง" เท่านั้น

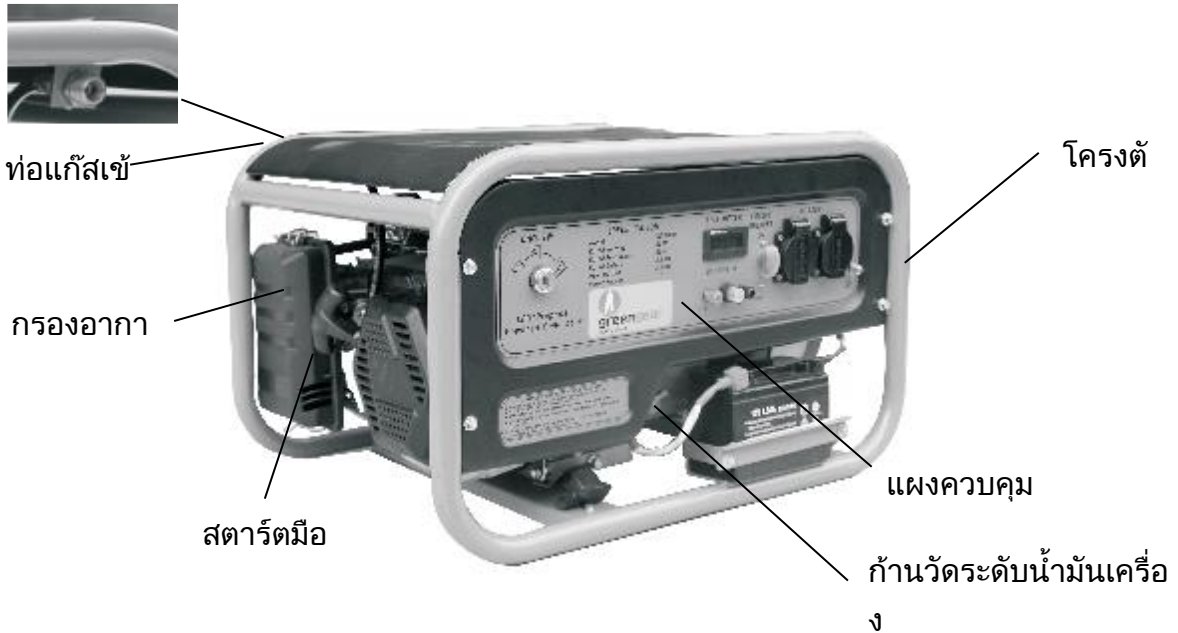


คำเตือน

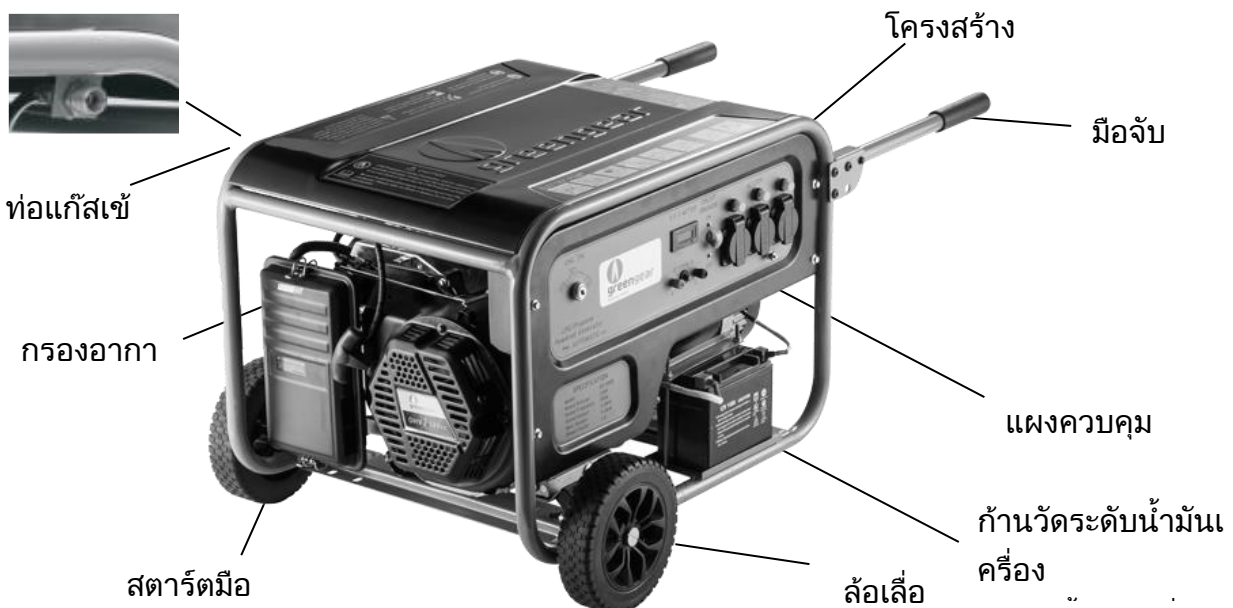
ปิดสวิตช์กุญแจและปิดเบรกเกอร์หรือฟิวส์ทุกครั้ง เมื่อไม่ใช้งาน หรือเมื่อต้องการปรับแต่งหรือซ่อมบำรุง และติดตั้งอุปกรณ์ต่างๆ

2. ข้อมูลผลิตภัณฑ์

GE-2000M, GE-2000, GE-3000M, GE-3000, GE-3000MUK, GE-3000UK



GE-5000M, GE-5000, GE-5000UK, GE-5000MUK, GE-6000M, GE-6000, GE-6000UK, GE-6000MUK, GE-6000TM, GE-6000T, GE-7000M, GE-7000, GE-7000MUK, GE-7000UK, GE-7000TM, GE-7000T



Generator model	GE-2000M	GE-2000	GE-3000M	GE-3000	GE-3000MUK	GE-3000UK
Engine model	GG3GN	GG3GN	GG3GN	GG3GN	GG3GN	GG3GN
Engine type	OHV,25°tilt, Single Cylinder, Forced Air Cooling,4-Stroke					
Bore x stroke(mm)	68 x 54	68 x 54	68 x 54	68 x 54	68 x 54	68 x 54
Displacement(cc)	212	212	212	212	212	212
Ignition type	T.C.I.					
Compression ratio	8.5:1	8.5:1	8.5:1	8.5:1	8.5:1	8.5:1
Fuel type	LPG/Propane	LPG/Propane	LPG/Propane	LPG/Propane	LPG/Propane	LPG/Propane
Starting system	Recoil start	Electric start	Recoil start	Electric Start	Recoil Start	Electric Start
LPG/propane technology	ENERKIT BASIC					
Pressure range for inlet LPG	1.0 – 2.5 BAR					
Consumption*(g/kWh)	↑523	↑523	↑441	↑441	↑441	↑441
Voltage (V)	230	230	230	230	230	110/230
Max output (KW)	2.2 (3 HP)	2.2 (3 HP)	3.1 (3.8 HP)	3.1 (3.8 HP)	3.1 (3.8 HP)	3.1 (3.8 HP)
Rated output (KW)	2.0 (2.7 HP)	2.0 (2.7 HP)	2.8 (3.4 HP)	2.8 (3.4 HP)	2.8 (3.4 HP)	2.8 (3.4 HP)
Rated current (A)	9	9	11.5	11.5	11.5	11.5
Rated frequency (Hz)	50Hz	50Hz	50Hz	50Hz	50Hz	50Hz
Power Factor (cos ϕ)	1.0	1.0	1.0	1.0	1.0	1.0
Oil volume (L)	0.6 (0.16 gal)	0.6 (0.16 gal)	0.6 (0.16 gal)	0.6 (0.16 gal)	0.6 (0.16 gal)	0.6 (0.16 gal)
Continuous run time	Depends on the type of the LPG/Propane Cylinder size.					
Nett weight (kg/lbs.)	43.5/96	43.5/96	49/108	49/108	49/108	49/108
Package dimension	605X445X420					

(LxWxH) (mm)	23.8"x17.5"x16.5"
--------------	-------------------

3. ข้อมูลจำเพาะ

*depends on the quality of the fuel (LPG, Propane, Butane, etc)

Generator model	GE-5000M	GE-5000	GE-5000MUK	GE-5000UK	GE-6000M	GE-6000
Engine model	GG4GN	GG4GN	GG4GN	GG4GN	GG5GN	GG5GN
Engine type	OHV,25°tilt, Single Cylinder, Forced Air Cooling,4-Stroke					
Bore x stroke(mm)	88x64	88x64	88x64	88x64	90x66	90x66
Displacement(cc)	389	389	389	389	420	420
Ignition type	T.C.I					
Compression ratio	8.5:1	8.5:1	8.5:1	8.5:1	8.5:1	8.5:1
Fuel type	LPG/Propane	LPG/Propane	LPG/Propane	LPG/Propane	LPG/Propane	LPG/Propane
Starting system	Recoil start	Electric start	Recoil start	Electric start	Recoil start	Electric start
LPG/propane technology	ENERKIT BASIC					
Pressure range for inlet LPG	1.0 – 2.5 BAR					
Consumption*(g/kWh)	↑398	↑398	↑398	↑398	↑235	↑235
Voltage (V)	230	230	115/230	115/230	230	230
Max output (KW)	5.5 (7.4 HP)	5.5 (7.4 HP)	5.5 (7.4 HP)	5.5 (7.4 HP)	6.5 (8.7 HP)	6.5 (8.7 HP)
Rated output (KW)	5 (6.7 HP)	5 (6.7 HP)	5 (6.7 HP)	5 (6.7 HP)	6.0 (8 HP)	6.0 (8 HP)
Rated current (A)	21.7	21.7	21.7	21.7	26	26
Rated frequency (Hz)	50	50	50	50	50	50
Power Factor (cos φ)	1.0	1.0	1.0	1.0	1.0	1.0
Oil volume (L)	1.1 (0.3 gal)	1.1 (0.3 gal)	1.1 (0.3 gal)	1.1 (0.3 gal)	1.1 (0.3 gal)	1.1 (0.3 gal)

Continuous run time	Depends on the type of LPG/Propane Cylinder					
Nett weight (kg/lbs.)	93/205	93/205	93/205	93/205	93/205	93/205
Package dimension (LxWxH) (mm)	700x570x500 27.5"x21.3"x19.6"	700x530x500 27.5"x20.8"x22.4"	700x570x500 27.5"x21.3"x19.6"			700x530x500 27.5"x20.8"x22.4"

*depends on the quality of the fuel (LPG, Propane, Butane, etc)

Generator model	GE-6000MUK	GE-6000UK	GE-6000TM	GE-6000T	GE-7000M	GE-7000
Engine model	GG5GN	GG5GN	GG5GN	GG5GN	GG6GN	GG6GN
Engine type	OHV,25°tilt, Single Cylinder, Forced Air Cooling,4-Stroke					
Bore x stroke(mm)	90x66	90x66	90x66	90x66	92x67	92x67
Displacement(cc)	420	420	420	420	445	445
Ignition type	T.C.I					
Compression ratio	8.5:1	8.5:1	8.5:1	8.5:1	9.0:1	9.0:1
Fuel type	LPG/Propane	LPG/Propane	LPG/Propane	LPG/Propane	LPG/Propane	LPG/Propane
Starting system	Recoil start	Electric start	Recoil start	Electric start	Recoil start	Electric start
LPG/propane technology	ENERKIT BASIC					
Pressure range for inlet LPG	1.0 – 2.5 BAR					
Consumption*(g/kWh)	↑523	↑523	↑441	↑398	↑235	↑318
Voltage (V)	115/230	115/230	230/400	230/400	230	230
Max output (KW)	6.5 (8.7 HP)	6.5 (8.7 HP)	6.5 (8.7 HP)	6.5 (8.7 HP)	7.5 (9.8 HP)	7.5 (9.8 HP)
Rated output (KW)	6.0 (8 HP)	6.0 (8 HP)	6.0 (8 HP)	6.0 (8 HP)	7.0 (9.1 HP)	7.0 (9.1 HP)
Rated current (A)	26	26	26	26	30	30
Rated frequency (Hz)	50	50	50	50	50	50
Power Factor (cos φ)	1.0	1.0	1.0	1.0	1.0	1.0

Oil volume (L)	1.1 (0.3 gal)	1.1 (0.3 gal)	1.1 (0.3 gal)	1.1 (0.3 gal)	1.1 (0.3 gal)	1.1 (0.3 gal)
Continuous run time	Depends on the type of LPG/Propane Cylinder					
Nett weight (kg/lbs.)	95/209	95/209	95/209	95/209	95/209	95/209
Package dimension (LxWxH) (mm)	700x570x500 27.5"x21.3"X19.6"					700x530x500 27.5"X20.8" X19.6"

*depends on the quality of the fuel (LPG, Propane, Butane, etc.)

Generator model	GE-7000MUK	GE-7000UK	GE-7000TM	GE-7000T
Engine model	GG6GN	GG6GN	GG6GN	GG6GN
Engine type	OHV,25°tilt, Single Cylinder, Forced Air Cooling,4-Stroke			
Bore x stroke(mm)	92x66	92x66	92x66	92x66
Displacement(cc)	420	420	420	420
Ignition type	T.C.I			
Compression ratio	9.0:1	9.0:1	9.0:1	9.0:1
Fuel type	LPG/Propane	LPG/Propane	LPG/Propane	LPG/Propane
Starting system	Recoil start	Electric start	Recoil start	Electric start
LPG/propane technology	ENERKIT BASIC			
Pressure range for inlet LPG	1.0 – 2.5 BAR			
Consumption*(g/kWh)	↑318	↑318	↑318	↑318
Voltage (V)	110/230	110/230	230/410	230/410
Max output (KW)	7.5 (9.8 HP)	7.5 (9.8 HP)	7.5 (9.8 HP)	7.5 (9.8 HP)
Rated output (KW)	7.0 (9.1 HP)	7.0 (9.1 HP)	7.0 (9.1 HP)	7.0 (9.1 HP)
Rated current (A)	30	30	30	30
Rated frequency (Hz)	50	50	50	50
Power Factor (cos φ)	1.0	1.0	1.0	1.0

Oil volume (L)	1.1 (0.3 gal)	1.1 (0.3 gal)	1.1 (0.3 gal)	1.1 (0.3 gal)
Continuous run time	Depends on the type of LPG/Propane Cylinder size.			
Nett weight (kg/lbs.)	96/211	96/211	96/211	96/211
Package dimension (LxWxH) (mm)	700x570x500 27.5"x21.3"x19.6"			

***depends on the quality of the fuel (LPG, Propane, Butane, etc.)**

สภาพแวดล้อมในการใช้งานตามมาตรฐานอ้างอิง

ขั้ว อ ลี ง เ ก ก ต :
เครื่องกำเนิดไฟฟ้าสามารถทำงานได้เต็มประสิทธิภาพภายใต้เงื่อนไขสภาพแวดล้อมปกติ

ประสิทธิภาพของเครื่องกำเนิดไฟฟ้าจะลดลงเมื่ออยู่ในสภาพแวดล้อมที่อุณหภูมิสูงกว่าค่ามาตรฐานที่ใช้อ้างอิง

เครื่องกำเนิดไฟฟ้าสามารถใช้งานได้ภายใต้อุณหภูมิ -5°C ถึง 40°C

ตามมาตรฐานอ้างอิง

อุณหภูมิอากาศแวดล้อม	25°C
ความดันอากาศโดยรอบ	100 kPa
ความชื้นสัมพัทธ์	30%
ระดับความสูง	น้อยกว่า 1000 m

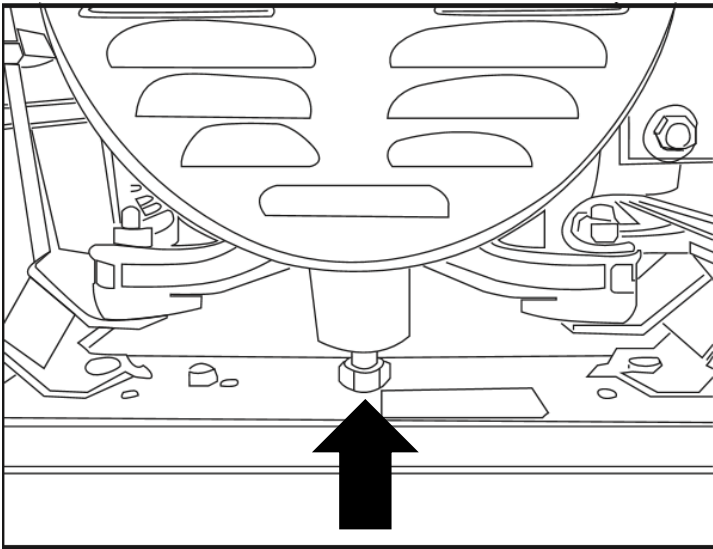
4. การตรวจสอบการใช้งาน

4.1 ถอดนอตสำหรับขนส่ง

ข้อสังเกต: สำหรับการขนส่งทางเรือ

ก่อนสตาร์ทเครื่องยนต์ให้ถอดนอตสำหรับขนส่งที่อยู่ตรงกลางของโครงสร้างที่ยึดแทนเครื่อง(ตามภาพ)

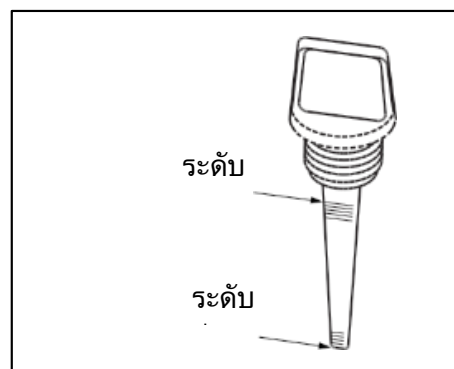
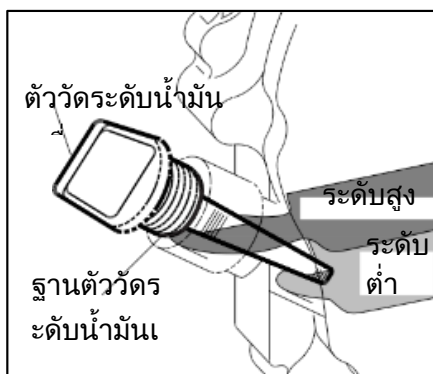
มิเช่นนั้นจะทำให้เครื่องกำเนิดไฟฟ้าเสียหายได้



4.2 ตรวจสอบระดับน้ำมันเครื่อง

ข้อสังเกต: ในการขนส่ง จะไม่มีการเติมน้ำมันเครื่องในห้องเพลาช้อเหวี่ยง เพื่อหลีกเลี่ยงความเสียหาย ดังนั้น ก่อนสตาร์ทเครื่องยนต์ครั้งแรกต้องทำการเติมน้ำมันเครื่องในห้องเพลาช้อเหวี่ยง

- 1) ก่อนตรวจสอบระดับน้ำมันเครื่องหรือเติมน้ำมันเครื่อง โปรดตรวจสอบให้แน่ใจว่าเครื่องกำเนิดไฟฟ้าตั้งอยู่ในพื้นที่ไม่ลาดเอียง
- 2) ถอดตัววัดระดับน้ำมันเครื่อง
- 3) ถ้าระดับน้ำมันเครื่องต่ำกว่าเส้นที่กำหนด ให้เติมน้ำมันเครื่องให้ถึงระดับสูง (ตรวจสอบสเปคน้ำมันเครื่องในตารางน้ำมันเครื่อง)
- 4) ระยะเวลาการเปลี่ยนน้ำมันเครื่องหัวข้อ 7.1



ความจุน้ำมันเครื่อง:

เครื่องกำเนิดไฟฟ้ารุ่น **GE-2000M, GE2000, GE3000M, GE-3000, GE-3000MUK, GE-3000UK: 0.6 ลิตร (0.16 gal)**

เครื่องกำเนิดไฟฟ้ารุ่น **GE5000M, GE5000, GE-5000UK, GE-5000MUK, GE-6000M, GE6000, GE-6000UK, GE-6000MUK, GE-6000TM, GE-6000T, GE-7000M, GE-7000, GE-7000MUK, GE-7000UK, GE-7000TM, GE-7000T: 1.1 ลิตร (0.3 gal)**

น้ำมันเครื่องที่แนะนำ:

ควรใช้น้ำมันเครื่องที่ได้รับมาตรฐาน **API** เกรด **SE** หรือสูงกว่า (แนะนำ **SG, SH** หรือ **SJ**) และ **SAE 10W-30** หรือ **10W-40** สำหรับการวิ่งงานทั่วไปทุกอุณหภูมิ ถ้าใช้น้ำมันความหนืดเดียว ให้เลือกความหนืดที่เหมาะสมสำหรับอุณหภูมิเฉลี่ยในพื้นที่ของคุณ

ตารางน้ำมันเครื่อง:

เกรดดี	5W	10W	20W	#20	#30	#40	
เกรดรว	10W-40						
อุณหภูมิ	-20	-10	0	10	20	30	40°C
	-4	14	32	50	68	86	104°F

4.3 ติดตั้งถังบรรจุแก๊ส แอลพีจี/โพรเพน

คำเตือน: ก๊าซธรรมชาติ น้ำ ผุ่น ฯลฯ เป็นอันตรายต่อเครื่องยนต์ หากเชื้อเพลิงแก๊ส (แอลพีจี/โพรเพน) ไม่สะอาดและมีสิ่งเหล่านี้ปะปนอยู่ ต้องกรองเพื่อเอาสิ่งที่ไม่สะอาดออก และให้แน่ใจว่าแก๊สที่จ่ายเข้าเครื่องยนต์นั้นสะอาด เพราะจะส่งผลให้เครื่องยนต์มีอายุการใช้งานจะสั้นลง แนะนำให้ใช้แก๊ส แอลพีจี/โพรเพน ที่มีคุณภาพสูง เพื่อป้องกันความเสียหายของเครื่องยนต์

แอลพีจี/โพรเพน เป็นแก๊สที่ติดไฟได้ ไม่มีสีและไม่สามารถมองเห็นด้วยตาเปล่า จึงมีการเติมกลิ่นที่ไม่เป็นอันตราย (กลิ่นเหมือนแก๊สโซลีน) ห้ามใช้งานเครื่องยนต์ในขณะที่ได้กลิ่น แอลพีจี/โพรเพน หากผู้ใช้ได้กลิ่นขณะใช้งานเครื่องยนต์ ให้ดับเครื่องยนต์ทันที และตรวจสอบหาจุดที่แก๊สรั่ว

- ห้ามใช้งานเครื่องกำเนิดไฟฟ้าในพื้นที่ปิด เนื่องจากการเผาไหม้แก๊ส แอลพีจี/โพรเพน ทำให้เกิดก๊าซคาร์บอนมอนอกไซด์ (**CO**) ซึ่งไม่มีกลิ่น

แต่เป็นอันตรายต่อสุขภาพถึงขั้นเสียชีวิต

- ควรใช้เครื่องกำเนิดไฟฟ้าในที่ที่มีอากาศถ่ายเท หากมีอาการปวดหัว ง่วงนอน หรือคลื่นไส้ ควรดับเครื่องยนต์และระบายอากาศ
- ห้ามใช้เครื่องกำเนิดไฟฟ้าในที่ที่มีคนนอนหลับ
- ปฏิบัติตามคู่มือการใช้งานอย่างเคร่งครัด
- ควรจัดเก็บให้พ้นมือเด็ก
- ห้ามเก็บในที่ที่มีอุณหภูมิสูงกว่า **120 องศา °F (49°C)**
- ห้ามเก็บถังแก๊สแอลพีจีไว้ในบ้าน
- ควรใช้แก๊สแอลพีจีจนหมดถังเสมอ
- ห้ามใส่ในกระเป๋าหรือขนส่งโดยเครื่องบิน
- เมื่อใช้แก๊สหมดถัง ให้ปฏิบัติตามข้อบังคับของท้องถิ่น หรือนำถังแก๊สคืนให้แก่ตัวแทนจำหน่ายถึง เพื่อนำกลับไปบรรจุใหม่ หรือในกรณีที่เป็นการใช้แล้วทิ้ง ให้นำไปทิ้งกับผู้ที่รับทำลายหรือนำกลับไปใช้ใหม่ ห้ามนำถังแก๊สไปเผาไฟหรือนำไปเผาในเตาเผาขยะ ห้ามเจาะถังแก๊ส

ก่อนใช้งาน

- 1) ตรวจสอบถังสภาพถังและซีลที่วาล์วถัง ไม่ใช่ถังที่เป็นสนิม
- 2) เปิดวาล์วถัง ตรวจสอบรอยรั่วของท่อแก๊ส รอยขีดข่วน หรือ ความเสียหายอื่นๆ
- 3) เชื่อมต่อท่อแก๊สเข้ากับถังแก๊สในที่แจ้ง และห่างจากจุดที่อาจเกิดประกายไฟ เปลวไฟ หรือแหล่งติดไฟอื่นๆ แหล่งประกายไฟสามารถที่จะทำให้เกิดไฟไหม้จากแก๊สที่รั่วได้
- 4) ถ้าเชื่อมต่อท่อถึงแก๊สต้องใช้เครื่องสำหรับขันข้อต่อถึงแก๊ส ให้ใช้เครื่องขันข้อต่อ ถ้าข้อต่อแก๊สออกแบบให้สามารถใช้มือขันได้ ให้ขันข้อต่อให้แน่น ห้ามขันข้อต่อท่อให้แน่นมากเกินไป เพราะอาจทำให้ซีลข้อต่อเสียหายได้
- 5) ถ้าถังแก๊สเย็นมาก หรือได้กลิ่นแก๊ส แสดงว่าแก๊สอาจรั่ว ให้ทดสอบรอยรั่ว โดยใช้น้ำฟองสบู่ ทาลงบริเวณที่คาดว่าเกิดรอยรั่ว ให้สังเกตฟองอากาศและฟังเสียงแก๊สรั่ว
- 6) อ่านและปฏิบัติตามคู่มือการใช้งาน

ระหว่างใช้งาน

ห้ามใช้ในที่ที่สามารถเกิดประกายไฟได้, เปลวไฟ, ประกายไฟ, หรือ แหล่งประกายอื่นๆ, ประกายไฟสามารถทำให้ก๊าซที่รั่วติดไฟได้

หลังจากใช้งาน

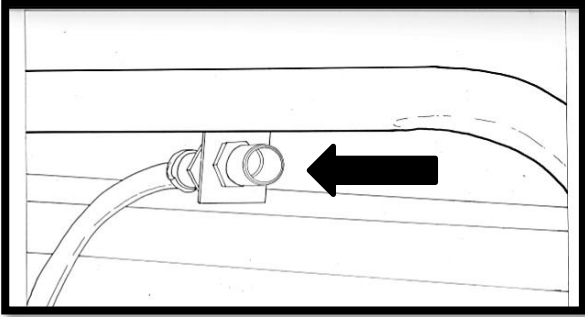
- 1) ดับเครื่องและปล่อยให้เย็น
- 2) ถอดข้อต่อสายแก๊สออกจากถังเมื่อไม่ใช้งาน
- 3) ถอดสายออกจากถังแก๊สในที่แจ้ง ห่างจากที่สามารถเกิดประกายไฟ เปลวไฟ หรือ แหล่งประกายไฟอื่นๆ ประกายไฟสามารถทำให้แก๊สที่รั่วติดไฟได้
- 4) ใส่ฝาครอบวาล์วถัง ป้องกันวาล์วถังเสียหายและสกปรก

กรณีเกิดไฟไหม้

- 1) ออกจากพื้นที่อย่างรวดเร็ว และเรียกหน่วยดับเพลิงเพื่อขอความช่วยเหลือ
- 2) ปลดปล่อยให้ไฟไหม้ถึงแก๊ส

วิธีการเชื่อมต่อแอลพีจี / โพรเพนจากถังบรรจุแก๊ส ⁽¹⁾ :

- ปิดแหล่งจ่ายแก๊ส
- ห้ามติดเครื่องยนต์
- เชื่อมข้อต่อสายแก๊ส
ชั้นเกลียวสายต่อแก๊สเข้ากับข้อต่อแก๊สที่โครงสร้างตัวถังและชั้นเกลียวให้แน่น (เกลียวซ้าย)



- เชื่อมต่อสายแก๊สเข้ากับเครื่องกำเนิดไฟฟ้า จัดวางเครื่องกำเนิดไฟฟ้าในพื้นที่เรียบ
- ใช้ประแจขันข้อต่อสายแก๊สให้แน่นและตรวจเช็คการรั่วของแก๊ส
- เพื่อความปลอดภัย ควรตรวจเช็คข้อต่อหรือสายแก๊สก่อนการใช้งานเสมอ
ทุกข้อต่อสายจ่ายแก๊สต้องแน่นหากพบรอยรั่วหรือสายฉีกขาด ให้ทำการเปลี่ยนทันที

⁽¹⁾ ใช้อุปกรณ์ที่ได้รับมาตรฐานจาก กรีนเกียร์หรือ คาว์ญญา กรุ๊ป เท่านั้น

4.4 ตรวจสอบอุปกรณ์ภายนอกเครื่องกำเนิดไฟฟ้า

ตรวจสอบต่อไปนี้ก่อนสตาร์ทเครื่องยนต์:

- ตรวจเช็คข้อต่อสายจ่ายแก๊สต้องแน่นและไม่มีการรั่วของแก๊ส
- ตรวจสอบนอตทุกตัวต้องแน่น
- ตรวจสอบความเสียหายของอุปกรณ์
- ตรวจสอบเครื่องกำเนิดไฟฟ้าไม่วางทับสายไฟฟ้าหรือต่อกับสายไฟฟ้า
- ตรวจสอบพื้นที่รอบเครื่องกำเนิดไฟฟ้าไม่มีสิ่งกีดขวาง



คำเตือน

กรุณาอ่านคู่มือการใช้งานอย่างละเอียด และปฏิบัติตามอย่างเคร่งครัด

เพื่อป้องกันการเกิดเพลิงไหม้



คำเตือน

พื้นที่ใช้งานควรปราศจากวัตถุไวไฟ



คำเตือน

ควรวางเครื่องกำเนิดไฟฟ้าห่างจากผนัง สิ่งกีดขวาง

หรือโครงสร้างอาคารอย่างน้อย 1 เมตร



คำเตือน

ควรวางเครื่องกำเนิดไฟฟ้าในพื้นที่ที่มีอากาศถ่ายเทสะดวก และไม่เปียกชื้น

เนื่องจากอาจเกิดไฟฟ้าช็อตได้



คำเตือน

ไม่ควรมีสิ่งกีดขวางท่อไอเสีย



คำเตือน

ควรจัดเก็บเครื่องกำเนิดไฟฟ้าให้ห่างจากพื้นที่ที่อาจเกิดเปลวไฟ

หรือประกายไฟ



คำเตือน

ควรวางเครื่องกำเนิดไฟฟ้าบนพื้นระนาบและมั่นคง



คำเตือน

ไม่ควรวางหรือตั้งวัตถุปิดกั้นการระบายอากาศของเครื่องยนต์

เนื่องจากจะทำให้เครื่องมีความร้อนสูง

4.5 การติดตั้งแบตเตอรี่



คำเตือน

โปรดปฏิบัติตามคำแนะนำอย่างเคร่งครัด

เนื่องจากอาจเกิดไฟฟ้าช็อตหรือเพลิงไหม้

แบตเตอรี่ที่แนะนำ: ขนาดความจุ **12V-24AH** หรือ ใหญ่กว่า

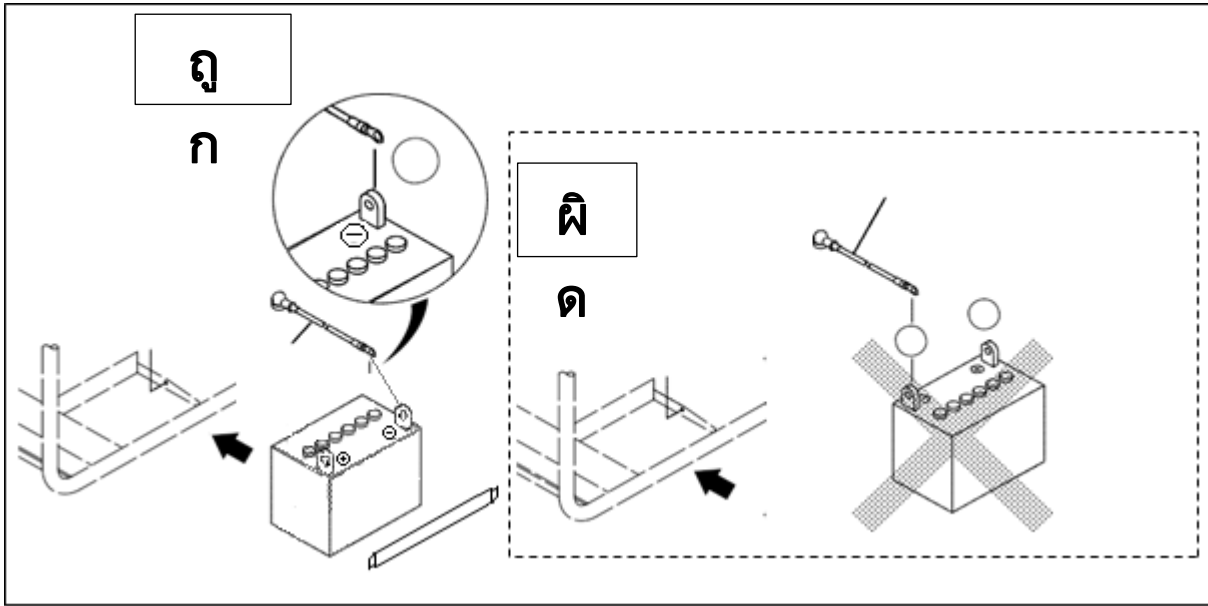
- 1) บิดกุญแจไปที่ **"STOP"** ก่อนเชื่อมต่อหรือถอดขั้วแบตเตอรี่
- 2) การถอดสายขั้วแบตเตอรี่ให้ถอดขั้วลบ (-) ออกก่อนเสมอ
- 3) การต่อขั้วแบตเตอรี่ให้ต่อขั้วบวก (+) ก่อนและต่อขั้วลบ (-) ตามลำดับ

สายสีแดง: ขั้วบวก (+)

สายสีดำ: ขั้วลบ (-)

- 4) หากต่อสายขั้วแบตเตอรี่ไม่ถูกต้อง เครื่องกำเนิดไฟฟ้าอาจทำงานผิดปกติ หรือเกิดความเสียหายได้
- 5) ควรขันขั้วแบตเตอรี่ให้แน่น
ขณะที่เครื่องยนต์ทำงานแรงสั่นสะเทือนอาจทำให้ขั้วแบตเตอรี่หลวมได้
- 6) ขณะชาร์จแบตเตอรี่ ควรถอดสายแบตเตอรี่ออกจากเครื่องกำเนิดไฟฟ้า
- 7) การชาร์จไฟเข้าแบตเตอรี่ ควรเลือกใช้การชาร์จอย่างช้า

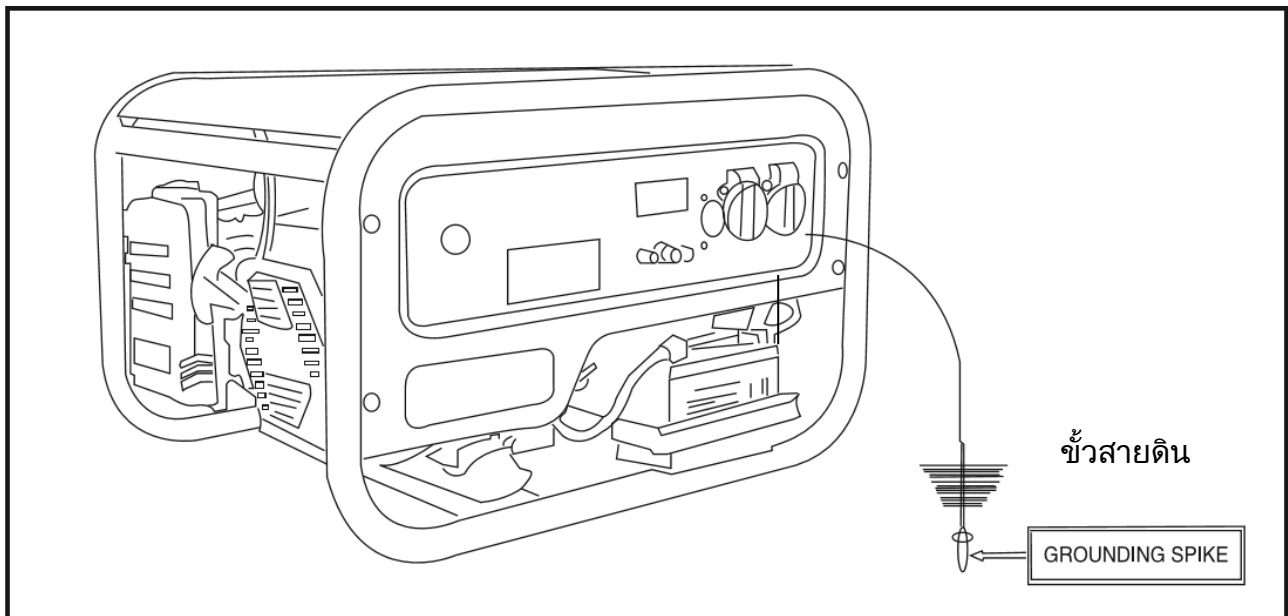
วิธีการติดตั้งแบตเตอรี่ (ดูหน้าอุปกรณ์เสริม)



4.6 สายดินเครื่องกำเนิดไฟฟ้า

ขั้นตอนการต่อสายดินลงพื้น ต่อสายดินเข้ากับเครื่องกำเนิดไฟฟ้า และตอกขั้วต่อที่มีตัวนำลงกับพื้นดิน

ถ้าเชื่อมต่อระบบไฟฟ้าจากเครื่องกำเนิดไฟฟ้าเข้าระบบไฟฟ้าของตัวบ้านต้องต่อสายดินเข้ากับระบบสายดินของตัวบ้าน สายดินบางแบบยังต้องใช้ตัวตอกเข้ากับพื้นดิน

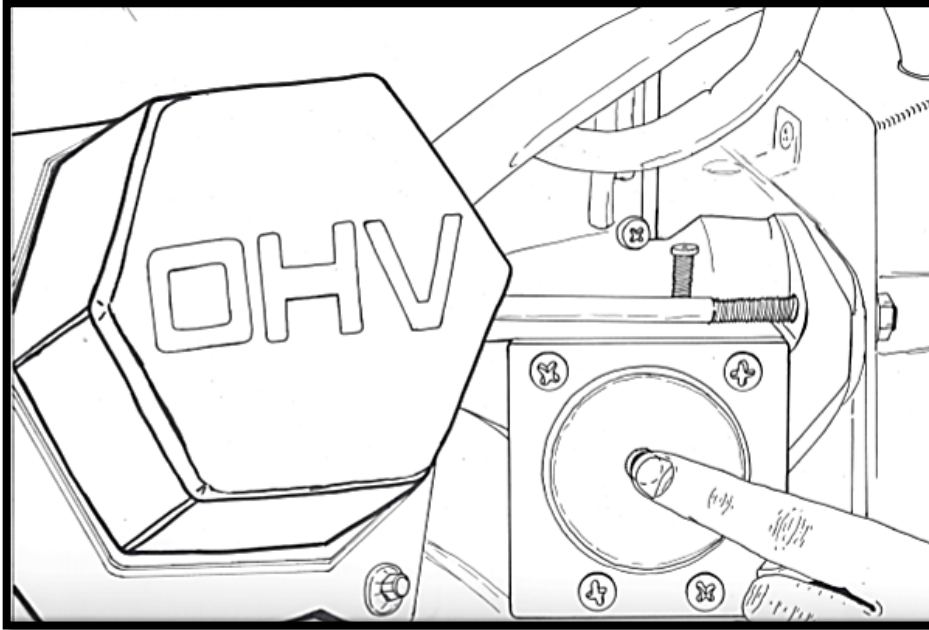


5. ขั้นตอนการทำงาน

5.1 สตาร์ทเครื่องยนต์

ข้อควรระวัง: ตรวจสอบระดับน้ำมันเครื่องก่อนใช้งาน (อ่านรายละเอียดเพิ่มเติม หัวข้อ 4.2)

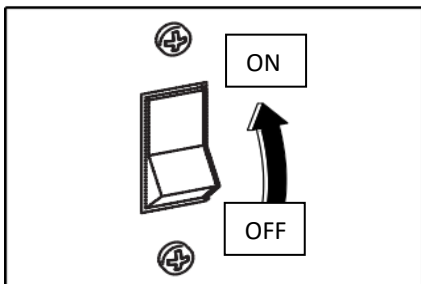
- 1) เปิดวาล์วถังแก๊ส
- 2) ถ้ามีการติดตั้งตัวควบคุมแรงดัน ให้กดปุ่มที่ตัวควบคุมแรงดัน
- 3) กดปุ่มจ่ายแก๊สที่คาบูเรเตอร์ **1-2** ครั้ง เมื่อเครื่องยนต์ติดยาก



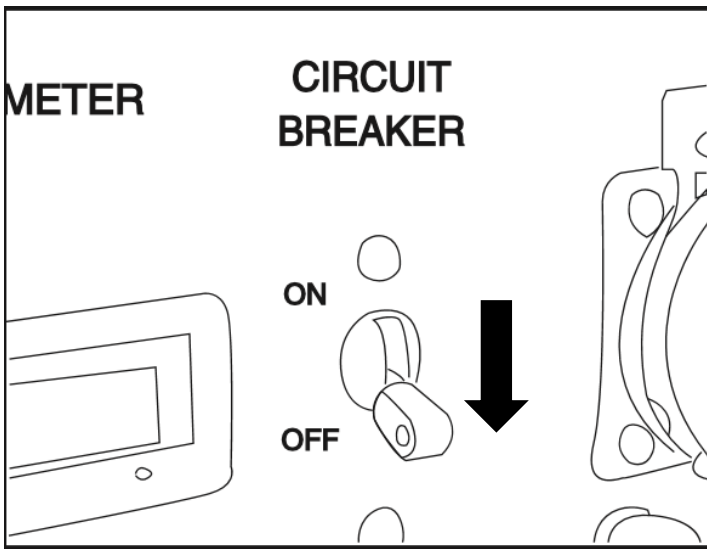
คำเตือน

- กดปุ่มจ่ายแก๊สที่คาบูเรเตอร์ในขณะที่เครื่องยนต์ไม่ใช้งาน อาจทำให้เกิดความเสียหายกับเครื่องยนต์ได้

- 4) เปิดสวิตช์ไปที่ตำแหน่ง **"ON"** (เฉพาะที่ใช้ระบบสตาร์ทมือ)

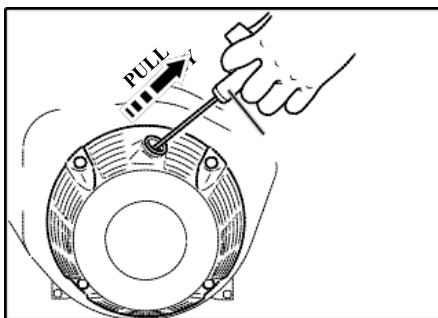


5) เปิดสวิตช์เบรกเกอร์ไปที่ตำแหน่ง "OFF"



6.1) รุนสตาร์ทมือ

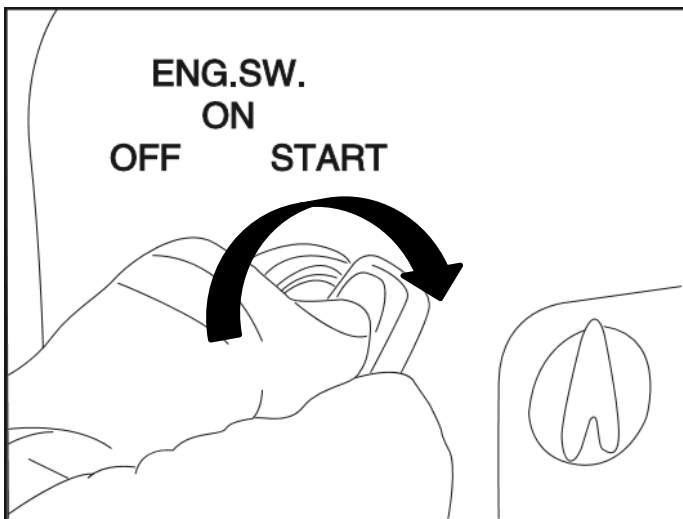
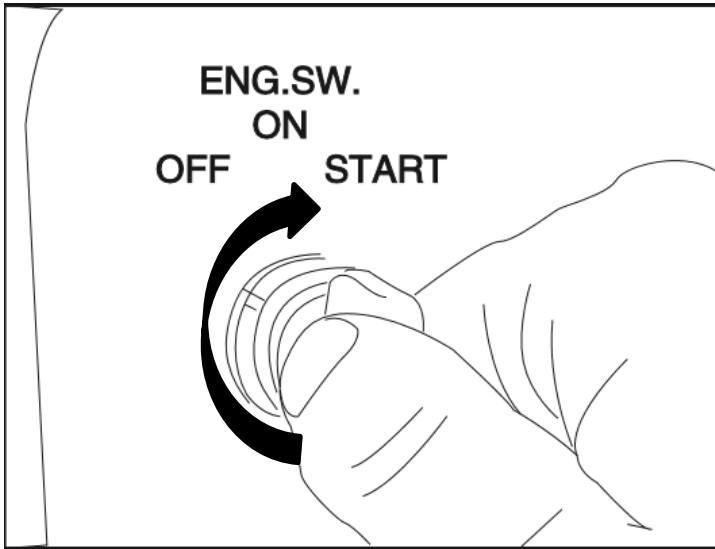
ดึงมือจับอย่างช้าๆ กระทั่งมีแรงต้าน ซึ่งเป็นจุดที่เครื่องยนต์อยู่ในตำแหน่งกำลังอัดสูงสุด ปลดมือจับกลับในจุดเดิม แล้วจึงกระตุกขึ้นอีกครั้ง และระวังอย่าดึงจนสุดความยาวเชือก หลังจาก que เครื่องยนต์ทำงานแล้ว ให้ปลดมือจับกลับไปยังตำแหน่งเริ่มต้น หากเครื่องยนต์ยังไม่ทำงาน ให้ทำซ้ำ



6.2) ร่นสตาร์ทไฟฟ้า

เสียบกุญแจเข้าไปในสวิทช์กุญแจและหมุนตามเข็มนาฬิกาไปที่ตำแหน่ง **"ON"** เพื่อจะสตาร์ทเครื่องยนต์ จากนั้นให้หมุนกุญแจไปที่ตำแหน่ง **"START"** ค้างไว้จนเครื่องยนต์ติด เครื่องยนต์ทำงานโดยมอเตอร์สตาร์ท

ข้อแนะนำ: สตาร์ทเครื่องยนต์ครั้งแรก ให้สตาร์ทด้วยมือจนกว่าเครื่องยนต์ทำงาน



คำแนะนำ: ห้ามบิดกุญแจสตาร์ทเครื่องยนต์ต่อเนื่องนานเกิน **5** วินาที หากสตาร์ทเครื่องยนต์ไม่ติด ให้หมุนสวิทช์กุญแจกลับไปตำแหน่ง **"ON"** และให้รอประมาณ **10** วินาที แล้วจึงบิดกุญแจสตาร์ทเครื่องยนต์อีกครั้ง

ห้ามบิดสวิทช์กุญแจไปที่ตำแหน่ง **"START"** ขณะที่เครื่องยนต์กำลังทำงาน เพื่อป้องกันมอเตอร์สตาร์ทเสียหาย

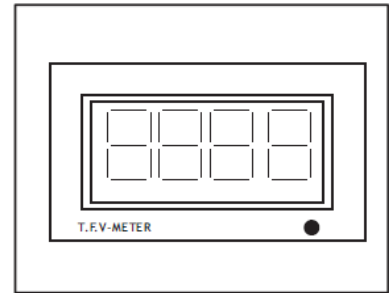
เมื่อสตาร์ทเครื่องยนต์ด้วยมือ ให้บิดกุญแจไปที่ตำแหน่ง **"ON"** แล้วจึงดึงมือจับสตาร์ท

5.2 การใช้ไฟฟ้า

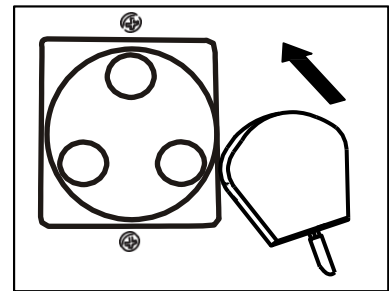
คำเตือน: ปิดสวิตช์เครื่องใช้ไฟฟ้าทุกครั้งก่อนใช้งานกับเครื่องกำเนิดไฟฟ้า ห้ามเคลื่อนย้ายเครื่องกำเนิดไฟฟ้าในขณะที่เครื่องยนต์ทำงาน ต้องแน่ใจว่าได้ทำการต่อสายดินของเครื่องกำเนิดไฟฟ้าและเครื่องใช้ไฟฟ้าแล้ว เพื่อความปลอดภัยหากเกิดเหตุการณ์กระแสไฟฟ้ารั่ว

5.2.1 การใช้งานกับไฟฟ้ากระแสสลับ

1) ตรวจสอบโวลต์มิเตอร์สำหรับแรงดันที่เหมาะสม เครื่องกำเนิดไฟฟ้าได้รับการปรับแต่งและทดสอบโดยโรงงานผู้ผลิต ถ้าเครื่องกำเนิดไฟฟ้าทำงานไม่สมบูรณ์ให้ติดต่อตัวแทนจำหน่ายใกล้บ้าน

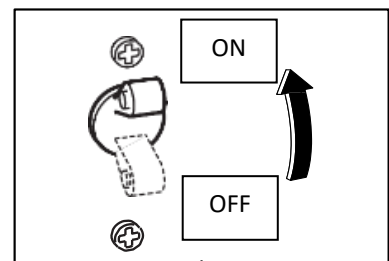


2) ปิดสวิตช์ของเครื่องใช้ไฟฟ้าก่อนที่จะต่อเข้ากับเครื่องกำเนิดไฟฟ้า



3) เสียบปลั๊กเครื่องใช้ไฟฟ้าเข้ากับเต้าเสียบที่เครื่องกำเนิดไฟฟ้า เช็ครางแอมแปร์ของปลั๊กต่อและสายต่อพ่วงได้ที่หน้า**33** (หัวข้อ **11**) และต้องแน่ใจว่าสายต่อไม่เกินมาตรฐาน ต้องแน่ใจว่าอุปกรณ์และเครื่องใช้ไฟฟ้ากำลังวัตต์รวมต้องไม่เกินกำลังของเครื่องกำเนิดไฟฟ้า

4) เปิดสวิตช์เบรกเกอร์ไปที่ **"ON"**



ข้อแนะนำ: เมื่อสวิตช์เบรกเกอร์ติดกลับมายังตำแหน่ง **OFF** ในขณะที่กำลังใช้งาน แสดงว่าเครื่องกำเนิดไฟฟ้าทำงานเกินกำลัง ให้หยุดใช้งานเครื่องกำเนิดไฟฟ้า และทำการตรวจสอบเครื่องใช้ไฟฟ้า และ/หรือ เครื่องกำเนิดไฟฟ้าทำงานเกินกำลัง

กรณีเชื่อมต่อกับวงจรไฟฟ้าภายในบ้าน



คำเตือน

เครื่องกำเนิดไฟฟ้าสายดินเป็นกลาง ถ้าเครื่องกำเนิดไฟฟ้าเชื่อมต่อกับสายไฟฟ้าของระบบไฟฟ้าในครัวเรือนหรือระบบไฟฟ้าสาธารณะ เช่น ใช้เป็นเครื่องกำเนิดไฟฟ้าสำรองขณะไฟฟ้าดับ

เมื่อเชื่อมต่อเครื่องกำเนิดไฟฟ้ากับสายไฟบ้าน จะต้องต่อเชื่อมต่อสายไฟที่ช็อกเกิด **220V** ติดตั้งสวิตช์สลับการใช้งาน

สวิตช์สลับการใช้งานต้องต่อกับสายไฟภายในบ้านเพื่อต่อการใช้งานอุปกรณ์ไฟฟ้าภายในบ้านเข้ากับเครื่องกำเนิดไฟฟ้า

สวิตช์สลับการใช้งานนี้ต้องเป็นระบบอัตโนมัติเมื่อเกิดไฟฟ้าดับ

ใช้สวิตช์สลับการใช้งานต้องสามารถรับภาระไหลได้

ติดตั้งสวิตช์สลับการใช้งานระหว่างมิเตอร์ไฟฟ้ากับฟิวส์หรือกล่องเบรกเกอร์

คำแนะนำ: ถ้าสายกลางของระบบไฟฟ้าภายในบ้านเป็นสายดิน ต้องต่อสายดินของเครื่องกำเนิดไฟฟ้าเข้ากับสายกลาง มิฉะนั้นอาจเกิดไฟฟ้าช็อตได้ขณะใช้งาน

5.2.2 การใช้งานกับไฟฟ้ากระแสตรง

ชาร์จแบตเตอรี่

ข้อแนะนำ: ถ้ามีความจำเป็นต้องชาร์จแบตเตอรี่โดยตรง

แนะนำให้ชาร์จแบตเตอรี่ให้เต็มในการชาร์จครั้งแรก

ต่อขั้วบวก (แดง) จากเครื่องกำเนิดไฟฟ้า เข้ากับขั้วบวก (+) ของแบตเตอรี่

ต่อขั้วลบ (ดำ) จากเครื่องกำเนิดไฟฟ้า เข้ากับขั้วลบ (-) ของแบตเตอรี่

ด้วยระบบรีคอยล์สตาร์ทเตอร์ แบตเตอรี่จะได้รับการชาร์จ ขณะที่เครื่องยนต์ทำงาน

ข้อแนะนำ: สามารถใช้การจ่ายไฟทั้งกระแสสลับ (AC) และกระแสตรง (DC)

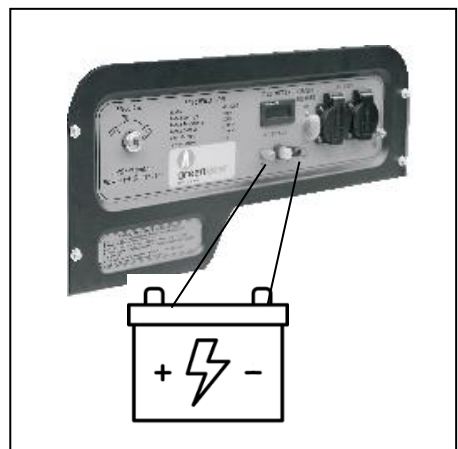
ในเวลาเดียวกันได้ ถ้ากำลังที่ใช้งานไม่เกินกำลังของเครื่องกำเนิดไฟฟ้า

เครื่องชาร์จแบตเตอรี่

ถอดสายแบตเตอรี่ออก ก่อนทำการชาร์จแบตเตอรี่

แล้วจึงต่อเครื่องชาร์จแบตเตอรี่

ข้อแนะนำ: แนะนำให้ชาร์จแบตเตอรี่อย่างช้า



เมื่อแบตเตอรี่ชาร์จเต็มให้ต่อแบตเตอรี่เข้าเครื่องกำเนิดไฟฟ้า

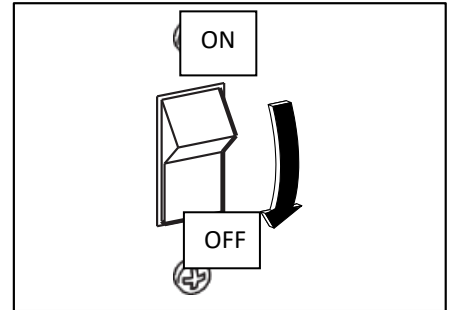
ต่อขั้วบวก (แดง) ของเครื่องกำเนิดไฟฟ้าเข้ากับขั้วบวก (+) ของแบตเตอรี่
ต่อขั้วลบ (ดำ) ของเครื่องกำเนิดไฟฟ้าเข้ากับขั้วลบ (-) ของแบตเตอรี่

ข้อควรระวังระหว่างชาร์จแบตเตอรี่

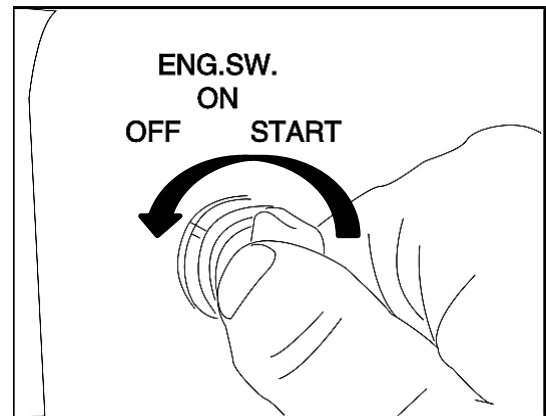
- ก๊าซไฮโดรเจนระเหยผ่านท่อที่ติดอยู่กับแบตเตอรี่ระหว่างที่ชาร์จ ห้ามทำให้เกิดประกายไฟหรือเปลวไฟใกล้กับเครื่องกำเนิดไฟฟ้าหรือแบตเตอรี่ในขณะที่ทำการชาร์จแบตเตอรี่
- อิเล็กโทรไลต์อาจทำให้ตาบอดและอาจทำให้เสื้อผ้าไหม้ได้ ควรใช้ความระมัดระวังอย่างยิ่ง ห้ามสัมผัส หากสัมผัสให้ออกจากพื้นที่โดยทันทีและทำความสะอาดด้วยน้ำสะอาดและรีบพบแพทย์
- เมื่อชาร์จแบตเตอรี่ที่ใหญ่เกินขนาด หรือแบตเตอรี่ชาร์จเกินขนาด สวิตช์เบรกเกอร์ไฟกระแสดตรงจะปิดทันที
- หากแบตเตอรี่ชำรุดจะทำให้สวิตช์เบรกเกอร์ไฟกระแสดตรงปิดทันที ควรตรวจสอบแบตเตอรี่ก่อนที่จะเปิดสวิตช์เบรกเกอร์ไฟกระแสดตรง

5.3 การดับเครื่องกำเนิดไฟฟ้า

- 1) ปิดสวิตช์ของเครื่องใช้ไฟฟ้าและถอดปลั๊กที่ต่อพ่วงเข้ากับเครื่องกำเนิดไฟฟ้าออกทั้งหมด
- 2) ปิดสวิตช์เบรกเกอร์วงจรไฟฟ้าไปที่ตำแหน่ง "OFF"
- 3) ปลดปล่อยให้เครื่องยนต์เดินเบาประมาณ 3 นาทีก่อนดับเครื่องยนต์
- 4) 4.1) รุนสตาร์ทมือ: ปิดสวิตช์เครื่องยนต์ไปที่ตำแหน่ง "OFF"



- 4.2) รุนสตาร์ทไฟฟ้า: ปิดสวิตช์กุญแจไปที่ตำแหน่ง "OFF"



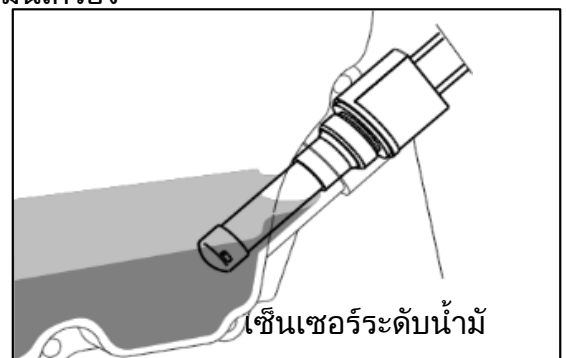
- 5) ปิดวาล์วถังแก๊ส แอลพีจี/โพรเพน

5.4 เซ็นเซอร์น้ำมันเครื่อง

- 1) เซ็นเซอร์ตรวจจับระดับน้ำมันเครื่องในห้องเพลลาข้อเหวี่ยง
เมื่อระดับน้ำมันลดลงต่ำกว่าระดับที่กำหนดไว้ เซ็นเซอร์จะดับเครื่องยนต์โดยอัตโนมัติ
- 2) เมื่อเครื่องยนต์ดับแล้วให้ปิดสวิตช์เบรกเกอร์ ให้ทำการตรวจสอบระดับน้ำมันเครื่อง
และเติมน้ำมันเครื่องให้อยู่ในระดับสูง (อ่านรายละเอียดเพิ่มเติม หัวข้อ 7.1) สตาร์ทเครื่องยนต์
- 3) ถ้าเครื่องยนต์ไม่สามารถติดเครื่องได้ตามปกติ ตรวจสอบระดับน้ำมันเครื่อง

ข้อควรระวัง: ห้ามถอดเซ็นเซอร์ระดับน้ำมันเครื่องขณะที่เติมน้ำมันเครื่อง

ถอดฝาปิดบรรจุน้ำมันเครื่องฝั่งตรงข้ามของคาร์บูเรเตอร์



6. ข้อมูลกำลังไฟฟ้า

เครื่องใช้ไฟฟ้าบางชนิดต้องการกำลังไฟฟ้าช่วงสตาร์ทสูงเป็นพิเศษ อาจเป็นผลให้ปริมาณของกำลังไฟฟ้าที่ใช้ในการสตาร์ทเกินจำนวนกำลังไฟฟ้าที่ใช้งานตามปกติ (ควรตรวจสอบข้อมูลต่างๆกับศูนย์บริการใกล้บ้าน เพื่อป้องกันอุปกรณ์เสียหาย) ตัวอย่างเช่น

- หลอดไส้และเตาทำความร้อนมีกำลังไฟฟ้าในตอนสตาร์ทเท่ากับตอนใช้งาน
- หลอดฟลูออเรสเซนต์ ต้องใช้กำลังไฟฟ้า **1.2 - 2** เท่าในตอนสตาร์ท เมื่อเทียบกับกำลังไฟฟ้าขณะใช้งาน
- โคมไฟปรอท ต้องใช้กำลังไฟฟ้า **2 - 3** เท่าในตอนสตาร์ท เมื่อเทียบกับกำลังไฟฟ้าขณะใช้งาน

มอเตอร์ไฟฟ้าต้องการกระแสไฟฟ้ามาก

กำลังไฟฟ้าที่ใช้งานขึ้นอยู่กับขนาดและชนิดของมอเตอร์

โดยควรเลือกให้มีกำลังเพียงพอต่อการสตาร์ทมอเตอร์เครื่องใช้ไฟฟ้าต้องการกำลัง **30% - 50%** ของกำลังไฟฟ้าขณะใช้งาน

เครื่องมือไฟฟ้าส่วนใหญ่ต้องการกำลังไฟฟ้า **1.2 - 3** เท่าตอนสตาร์ท ตัวอย่างเช่น

เครื่องกำเนิดไฟฟ้าขนาด **5,000** วัตต์ สามารถใช้พลังงานไฟฟ้า **1,800 - 4,000** วัตต์

ปั๊มสูบน้ำแบบจุ่มและปั๊มลมใช้กำลังไฟฟ้าตอนสตาร์ทสูงมาก ประมาณ **3 - 5**

เท่าของกำลังไฟฟ้าเมื่อเทียบกับการทำงานตามปกติ ยกตัวอย่างเช่นเครื่องกำเนิดไฟฟ้า **5,000** วัตต์สามารถขับรถปั๊มได้เพียง **1,000** ถึง **1,700** วัตต์เท่านั้น

คำแนะนำ: แผนภูมิกำลังไฟฟ้าต่อไปนี้เป็นคำแนะนำทั่วไปเท่านั้น

อ้างอิงข้อมูลกำลังไฟฟ้าที่ถูกต้องกับเครื่องใช้ไฟฟ้าที่ใช้งาน

ตรวจสอบกำลังไฟฟ้าทั้งหมดที่จำเป็นในการใช้งานโดยเฉพาะอย่างยิ่งกับเครื่องใช้ไฟฟ้าหรือเครื่องมือที่ใช้ไฟฟ้า เครื่องใช้ไฟฟ้ามีความหลากหลายของแรงดันไฟฟ้า (**Volt**) /

เครื่องมือที่ใช้กำลังเป็นแอมแปร์ (**Amps**) รายละเอียดของแรงดันไฟฟ้า (**Volt**) และแอมแปร์

(**Amps**) สามารถตรวจสอบได้บนฉลากที่แนบมากับเครื่องใช้ไฟฟ้า

เพื่อเป็นการระบุรายละเอียดของเครื่องใช้ไฟฟ้าและเครื่องมือที่ใช้ไฟฟ้า

เงื่อนไขการใช้งาน

เครื่องกำเนิดไฟฟ้าจะทำงานได้อย่างสมบูรณ์ภายใต้อุณหภูมิปกติ เมื่อใช้ภายใต้อุณหภูมิสูงระดับความสูงและความชื้น อาจทำให้ประสิทธิภาพของเครื่องกำเนิดไฟฟ้าลดลง

เงื่อนไขการอ้างอิงมาตรฐาน

อุณหภูมิอากาศ	25°C
ความดันอากาศ	100 kPa
ความชื้นสัมพัทธ์	30%
ระดับความสูง	1,000 m

เครื่องกำเนิดไฟฟ้าสามารถสตาร์ทเครื่องยนต์และทำงานได้ภายใต้อุณหภูมิระหว่าง **-10°C ถึง 40°C**

การใช้เครื่องกำเนิดไฟฟ้าในพื้นที่สูง

แรงม้าจะลดลงประมาณ **3.5%** สำหรับความสูงที่ระดับ **300 เมตร (1,000 ฟุต)**

ผลของระดับความสูงที่มีผลกระทบต่อแรงม้าจะสูงกว่านี้

ถ้าไม่มีการปรับเปลี่ยนขนาดของคาร์บูเรเตอร์

อุณหภูมิ

อุณหภูมิที่ต่ำจะทำให้เกิดการแข็งตัวของแก๊สในถังและจะมีผลทำให้ประสิทธิภาพของเครื่องกำเนิดไฟฟ้าลดลง

ความดันอากาศ

ความดันบรรยากาศต่ำส่งผลกระทบต่อความหนาแน่นของอากาศและจะมีผลกระทบต่อประสิทธิภาพของการเผาไหม้ ทำให้เครื่องกำเนิดไฟฟ้ามีประสิทธิภาพลดลง

7. การบำรุงรักษา

การบำรุงรักษา การซ่อมบำรุง และการเปลี่ยนระบบการควบคุมการปล่อยไอเสียและส่วนประกอบอื่นๆ ควรจะดำเนินการโดยช่างเทคนิคที่มีประสบการณ์และได้รับอนุญาต

ตรวจสอบประจำวัน

- ตรวจสอบการสิ้นสະเทือนและเสียง
- ตรวจสอบคุณภาพและระดับน้ำมันเครื่อง
- ตรวจสอบพื้นที่รอบๆ เครื่องกำเนิดไฟฟ้าต้องไม่มีสิ่งกีดขวาง
- ตรวจสอบกรองอากาศและทำความสะอาดเมื่อมีสิ่งสกปรก
- ตรวจสอบการรั่วและการเสียหายของข้อต่อสายแก๊ส
- ตรวจสอบการสูญหายหรือเสียหายของนอตๆ
- ตรวจสอบการรั่วของน้ำมันเครื่อง

การบำรุงรักษาตามระยะ

การบำรุงรักษาตามระยะมีความสำคัญอย่างยิ่ง ซึ่งจะส่งผลโดยตรงต่อประสิทธิภาพการทำงานและความปลอดภัย กรุณาตรวจสอบตาราง (หน้า**25**) สำหรับการบำรุงรักษาตามระยะ

นอกจากนี้ ยังจำเป็นอย่างยิ่งสำหรับผู้ใช้เครื่องกำเนิดไฟฟ้านี้ เพื่อให้แน่ใจว่าการบำรุงรักษาและการปรับแต่งในส่วนที่เกี่ยวข้องกับการปล่อยแก๊สไอเสียที่ได้ระบุไว้ด้านล่าง เพื่อให้ระบบการควบคุมการปล่อยแก๊สมีประสิทธิภาพ

ระบบการควบคุมการปล่อยแก๊สประกอบด้วยชิ้นส่วนดังต่อไปนี้

- (1) คาร์บูเรเตอร์ **ENERKIT**
- (2) ระบบเพิ่มเชื้อเพลิงตอนเครื่องยนต์เย็น (ถ้ามี)
- (3) ท่อร่วมไอดี (ถ้ามี)
- (4) ส่วนประกอบกรองอากาศ
- (5) หัวเทียน
- (6) แมกนีโตหรือระบบจุดระเบิดอิเล็กทรอนิกส์
- (7) ระบบปรับการจุดระเบิดล่วงหน้า/หน่วงเวลา (ถ้ามี)
- (8) ท่อร่วมไอเสีย (ถ้ามี)
- (9) ท่อ, เช็มขัด, ข้อต่อและส่วนประกอบต่างๆ

การบำรุงรักษาที่ระบุไว้ในตารางนี้ เป็นมาตรฐานสำหรับการใช้งานตามปกติเท่านั้น หากใช้งานเครื่องกำเนิดไฟฟ้าในสถานที่ที่มีความสกปรกมาก หรือใช้งานหนักมาก รอบในการบำรุงรักษาจะเร็วกว่าการบำรุงรักษาตามปกติ ได้แก่ การเปลี่ยนถ่ายน้ำมันเครื่อง การถอดตันของไส้กรอง การสึกหรอของชิ้นส่วนและอื่น ๆ

รายการบำรุงรักษา	ทุกๆ 8 ชั่วโมง ทุกวัน	ทุกๆ 20 ชั่วโมง	ทุกๆ 50 ชั่วโมง (สัปดาห์)	ทุกๆ 200 ชั่วโมง (เดือน)	ทุกๆ 500 ชั่วโมง	ทุกๆ 1,000 ชั่วโมง
ทำความสะอาดและตรวจสอบนอต	Ⓐ (ทุกวัน)					
ตรวจสอบระดับน้ำมันเครื่อง	Ⓐ (เติมน้ำมันเครื่องให้ได้ระดับสูงสุด)					
เปลี่ยนน้ำมันเครื่อง (*คำแนะนำ1)		Ⓐ (เร็ว มต้น)	Ⓐ (ทุก100 ชั่วโมง)			
ทำความสะอาดหัวเทียน			Ⓐ			
ทำความสะอาดกรองอากาศ			Ⓐ			
เปลี่ยนกรองอากาศ				Ⓐ		
ทำความสะอาดกรองเชื้อเพลิง				Ⓐ		
ทำความสะอาดหัวเทียนและปรับระยะห่างขั้วหัวเทียน				Ⓐ		
เปลี่ยนหัวเทียน					Ⓐ	
ตัวป้องกันประกายไฟที่ท่อไอเสีย			Ⓐ (ทุก100 ชั่วโมง)			
ทำความสะอาดฝาสูบ(*คำแนะนำ2)					Ⓐ	
ตรวจสอบและปรับตั้งระยะห่างของวาล์ว (*คำแนะนำ2)					Ⓐ	
ตรวจสอบและปรับจูนคาร์บูเรเตอร์ (**คำแนะนำ2)					Ⓐ	
ทำความสะอาดและเปลี่ยนแปรงถ่าน						Ⓐ

***คำแนะนำ 1:** การเปลี่ยนน้ำมันเครื่องครั้งแรกควรเปลี่ยนหลังจากใช้งานครั้งแรกไม่เกิน **20** ชั่วโมงนับจากเริ่มใช้งาน หลังจากนั้นให้เปลี่ยนน้ำมันเครื่องทุก ๆ **100** ชั่วโมง และควรจัดเก็บน้ำมันเครื่องเก่าอย่างถูกวิธี ห้ามเทลงท่อระบายน้ำ ลงในดินหรือคลอง ปฏิบัติตามกฎหมายควบคุมและกำจัดวัตถุอันตรายต่อสิ่งแวดล้อม

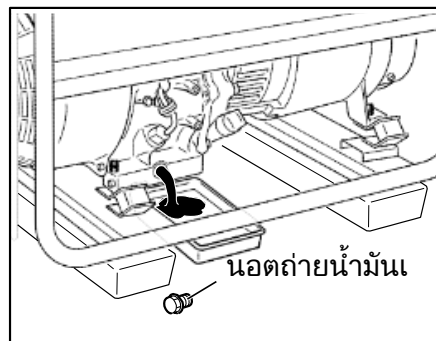
***คำแนะนำ 2:** ควรกระทำโดยตัวแทนจำหน่าย ซึ่งมีเครื่องมือที่เหมาะสมในการซ่อมบำรุง และผ่านการอบรมการซ่อมบำรุงเครื่องยนต์

7.1 การเปลี่ยนถ่ายน้ำมันเครื่อง

ควรเปลี่ยนน้ำมันเครื่องทุกๆ **100** ชั่วโมง (สำหรับเครื่องยนต์ใหม่ แนะนำให้เปลี่ยนถ่ายน้ำมันเครื่องครั้งที่ **20** ชั่วโมง)

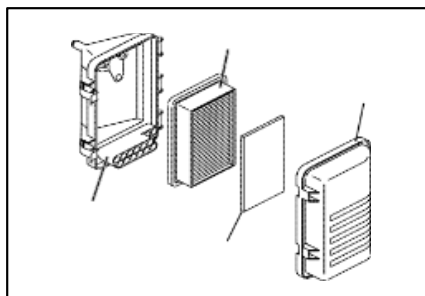
- 5- ถ่ายน้ำมันเครื่องในขณะที่เครื่องยนต์อุ่น โดยถอดนอตสำหรับถ่ายน้ำมันเครื่องออก และเปิดฝาตัวเติมน้ำมันเครื่อง
- 6- ใส่ นอตตัวถ่ายน้ำมันเครื่องกลับตำแหน่งเดิม และเติมน้ำมันเครื่องให้ได้ระดับสูงสุดของตัววัดระดับน้ำมันเครื่อง

ควรใช้น้ำมันเครื่องใหม่และได้มาตรฐานตามที่แนะนำไว้ในหัวข้อ **4.2** ถ้าน้ำมันที่ปนเปื้อนหรือเสื่อมสภาพจะทำให้ปริมาณของน้ำมันเครื่องไม่เพียงพอ อาจทำให้เครื่องยนต์เสียหาย และจะส่งผลให้อายุการใช้งานของเครื่องยนต์สั้นลงอย่างมาก



7.2 การทำความสะอาดกรองอากาศ

ข้อควรระวัง ไม่ควรล้างกรองอากาศด้วยน้ำมันก๊าด น้ำมันเบนซิน หรือน้ำมัน ควรดูแลให้กรองอากาศสะอาดอยู่เสมอ เพราะหากกรองอากาศสกปรกจะทำให้เครื่องยนต์สตาร์ทติดยาก แรงตก ทำงานผิดพลาด และอายุการใช้งานสั้นลง



- 1) ส่วนประกอบที่ทำจากโพลียูรีเทน ให้ล้างและทำความสะอาดโพลียูรีเทนด้วยผงซักฟอก ล้างให้สะอาด และตากลมแห้ง

ควรทำความสะอาดส่วนประกอบที่ทำจากโพลียูรีเทนทุกๆ 50 ชั่วโมง

- 2) ส่วนประกอบที่ทำจากกระดาษ ทำความสะอาดโดยการเคาะเบา ๆ เพื่อเคาะขจัดสิ่งสกปรกและฝุ่นให้หลุดออก ห้ามโดนน้ำมัน

ควรทำความสะอาดส่วนประกอบที่ทำจากกระดาษทุกๆ 50 ชั่วโมง และเปลี่ยนทุกๆ 200 ชั่วโมง

ในกรณีที่ใช้เครื่องกำเนิดไฟฟ้าในพื้นที่ที่สกปรกมาก ควรทำความสะอาดกรองอากาศ และเปลี่ยนกรองอากาศให้บ่อยกว่าการบำรุงรักษาตามปกติ

7.3 การทำความสะอาดและปรับระยะห่างขี้นหัวเทียน

ถ้าขี้นหัวเทียนมีความสกปรกและมีคราบเขม่า

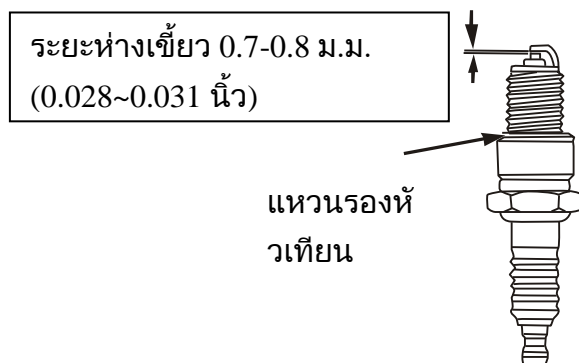
ให้ทำความสะอาดโดยใช้น้ำยาทำความสะอาดหัวเทียนหรือใช้แปรงทำความสะอาด

และทำการตรวจสอบระยะห่างของขี้นหัวเทียน ระยะห่างของขี้นหัวเทียนที่แนะนำคือ **0.7 - 0.8 มิลลิเมตร (0.028 - 0.031 นิ้ว)**

ข้อควรระวัง: ควรขันหัวเทียนอย่างถูกต้องและแน่นหนา

มิฉะนั้นอาจทำให้เครื่องยนต์มีความร้อนสูง และเป็นอันตรายได้

และควรเลือกใช้หัวเทียนให้ตรงตามสเปคที่กำหนด



7.4 การตรวจสอบแปรงถ่าน

ถ้าแปรงถ่านใกล้หมด

จะทำให้แรงกดระหว่างแปรงถ่านกับตัวหมุนแปรงถ่าน

ลดลงและเกิดเป็นผิวขรุขระ

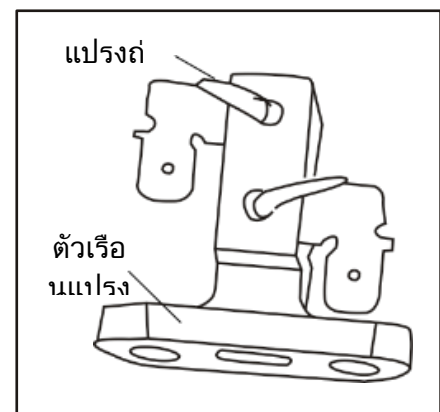
ส่งผลต่อประสิทธิภาพของเครื่องกำเนิดไฟฟ้า

ควรตรวจสอบแปรงถ่านทุก ๆ 500 ชั่วโมง

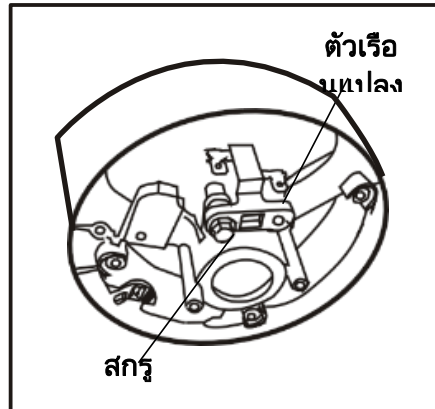
หรือเมื่อเครื่องกำเนิดไฟฟ้าทำงานผิดปกติ

ถ้าแปรงถ่านเหลือความยาวเพียง 5 มม. (0.2 นิ้ว)

หรือน้อยกว่า ให้เปลี่ยนแปรงถ่านอันใหม่



- 1) ถอดฝาครอบแปรงถ่าน
- 2) ถอดสายไฟและตัวครอบแปรงถ่าน
- 3) ใช้ความระมัดระวังขณะที่ถอดแปรงถ่าน และต้องใส่แปรงถ่านอันใหม่ให้ตรงตำแหน่งของหน้าสัมผัสระหว่างแปรงถ่านและทุน



7.5 การปรับตั้งระยะห่างวาล์ว

เนื่องจากการสึกหรอของปาวาล์วและวาล์ว (ระยะห่าง "A" ตามภาพ) ลดลงตลอดเวลา จนกระทั่งทำให้วาล์วกับปาวาล์วปิดไม่สนิท เมื่อใช้งานเครื่องยนต์ไประยะหนึ่งแล้ว จึงต้องมีการปรับระยะห่างของวาล์ว

ระยะการตั้งวาล์ว:

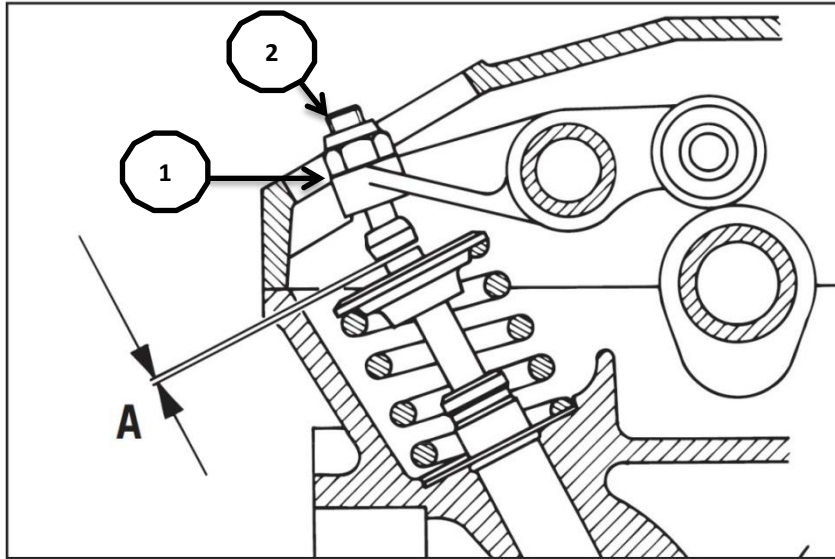
วาล์วไอดี **20 μm**

วาล์วไอเสีย **30 μm**

การปรับตั้งระยะห่างของวาล์วควรปรับตั้งโดยตัวแทนจำหน่าย ซึ่งมีเครื่องมือที่เหมาะสม และผ่านการรับการอบรมการซ่อมบำรุงเครื่องยนต์



คำเตือน: ควรปรับตั้งระยะห่างของวาล์วในขณะที่เครื่องยนต์เย็น



เครื่องมือ:

- เครื่องมือวัดระยะวาล์ว
- ไขควงแบน
- ประแจ

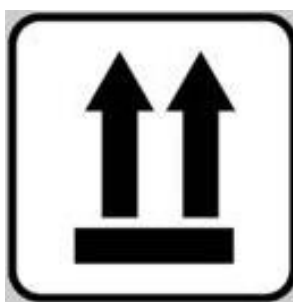
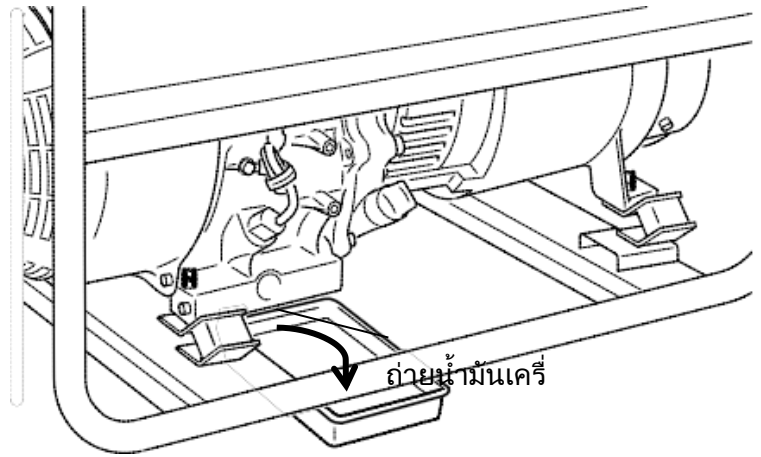
ขั้นตอนการทำงาน:

- 1) ถอดหัวเทียน
- 2) ถอดฝาครอบวาล์ว
- 3) ตรวจสอบระยะห่างของวาล์วด้วยเครื่องมือวัดระยะวาล์ว
ถ้าระยะห่างของวาล์วไม่เป็นไปตามค่าที่กำหนดไว้ ให้ทำการปรับตั้งใหม่
- 4) คลายนอต (1)
- 5) คลายสกรูปรับระยะ (2) ใส่เครื่องมือวัดระยะวาล์วระหว่างตัวกดวาล์วกับตัววาล์ว แล้วปรับระยะห่างของวาล์วให้ได้ระยะตามเครื่องมือวัดระยะวาล์ว
- 6) หลังจากทำการปรับตั้งระยะห่างเสร็จแล้วให้ทำการล็อคนอตปรับตั้งและตรวจสอบระยะห่างอีกครั้ง (ถ้าระยะห่างไม่ตามค่าที่กำหนดให้ทำการปรับตั้งใหม่)
- 7) ปิดฝาครอบวาล์วกลับเข้าตำแหน่งเดิม

8. การจัดเก็บและการขนส่ง

กรณีที่ไม่ได้ใช้เครื่องกำเนิดไฟฟ้าเป็นระยะเวลา 6 เดือนหรือมากกว่าในการจัดเก็บควรปฏิบัติตามขั้นตอนดังต่อไปนี้

- ถอดสายถังแก๊ส แอลพีจี/โพรเพน และปล่อยให้เครื่องยนต์เย็น
- ถอดหัวเทียนและทำการหยดน้ำมันเครื่องใส่ในกระบอกสูบประมาณ 10 หยด
- ถอดสายแบตเตอรี่ ถอดสายสีดำ (ขั้วลบ) ก่อน และค่อยถอดสายสีแดง (ขั้วบวก)
- ถ่ายน้ำมันเครื่อง
- ตรวจสอบนอต ชั้นนอตที่หลวม
- ทำความสะอาดเครื่องกำเนิดไฟฟ้าโดยใช้ผ้าชุบน้ำมัน และฉีดสเปรย์ป้องกันความชื้น (ห้ามใช้น้ำล้างเครื่องกำเนิดไฟฟ้า)
- ดึงตัวสตาร์ทจนรู้สึกว่ามีแรงต้าน แล้วปล่อย
- เก็บเครื่องกำเนิดไฟฟ้าไว้ในที่มีการถ่ายเทอากาศไม่มีความชื้น
- เก็บเครื่องกำเนิดไฟฟ้าใส่กล่องตามเดิม
- ห้ามวางเครื่องกำเนิดไฟฟ้าบนที่ลาดเอียง



9. การแก้ไขปัญหา

กรณีเครื่องกำเนิดไฟฟ้าสตาร์ทไม่ติดหลังจากที่ใช้งานได้ระยะเวลาหนึ่ง หรือไม่มีกระแสไฟฟ้าที่ปลั๊กเสียบสายไฟ ตรวจสอบตามตาราง ถ้ายังไม่สามารถสตาร์ทเครื่องยนต์หรือไม่มีกระแสไฟฟ้า ติดต่อตัวแทนจำหน่ายใกล้บ้าน เพื่อสอบถามข้อมูลที่ถูกต้อง ป้องกันเครื่องกำเนิดไฟฟ้าเสียหาย

เมื่อเครื่องยนต์สตาร์ทไม่ติด:

ตรวจสอบสวิตช์ถ้าอยู่ตำแหน่ง "OFF"	เปิดสวิตช์ไปยังตำแหน่ง "ON"
ตรวจสอบเครื่องกำเนิดไฟฟ้า ต้องไม่มีปลั๊กต่อพ่วงกับเครื่องใช้ไฟฟ้า	ถ้ามี ให้ดับเครื่องกำเนิดไฟฟ้า และให้ถอดปลั๊กต่อพ่วงออกจากเครื่องกำเนิดไฟฟ้า
ตรวจสอบกรองอากาศถ้าสกปรก	ทำความสะอาดกรองอากาศ
ตรวจสอบระยะห่างของเข็มหัวเทียน	ปรับตั้งระยะห่างของเข็มหัวเทียนถ้าระยะห่างไม่ได้ตามกำหนด
ปัญหาจาก คาร์บูเรเตอร์ ENERKIT	ถอดตัวจ่ายแก๊สข้างคาร์บูเรเตอร์
ตรวจสอบหัวเทียน ถ้าสกปรก	ถอดหัวเทียนทำความสะอาด
แก๊สแอลพีจี/โพรเพน หมุดถ่วง	เปลี่ยนถังแอลพีจี/โพรเพน

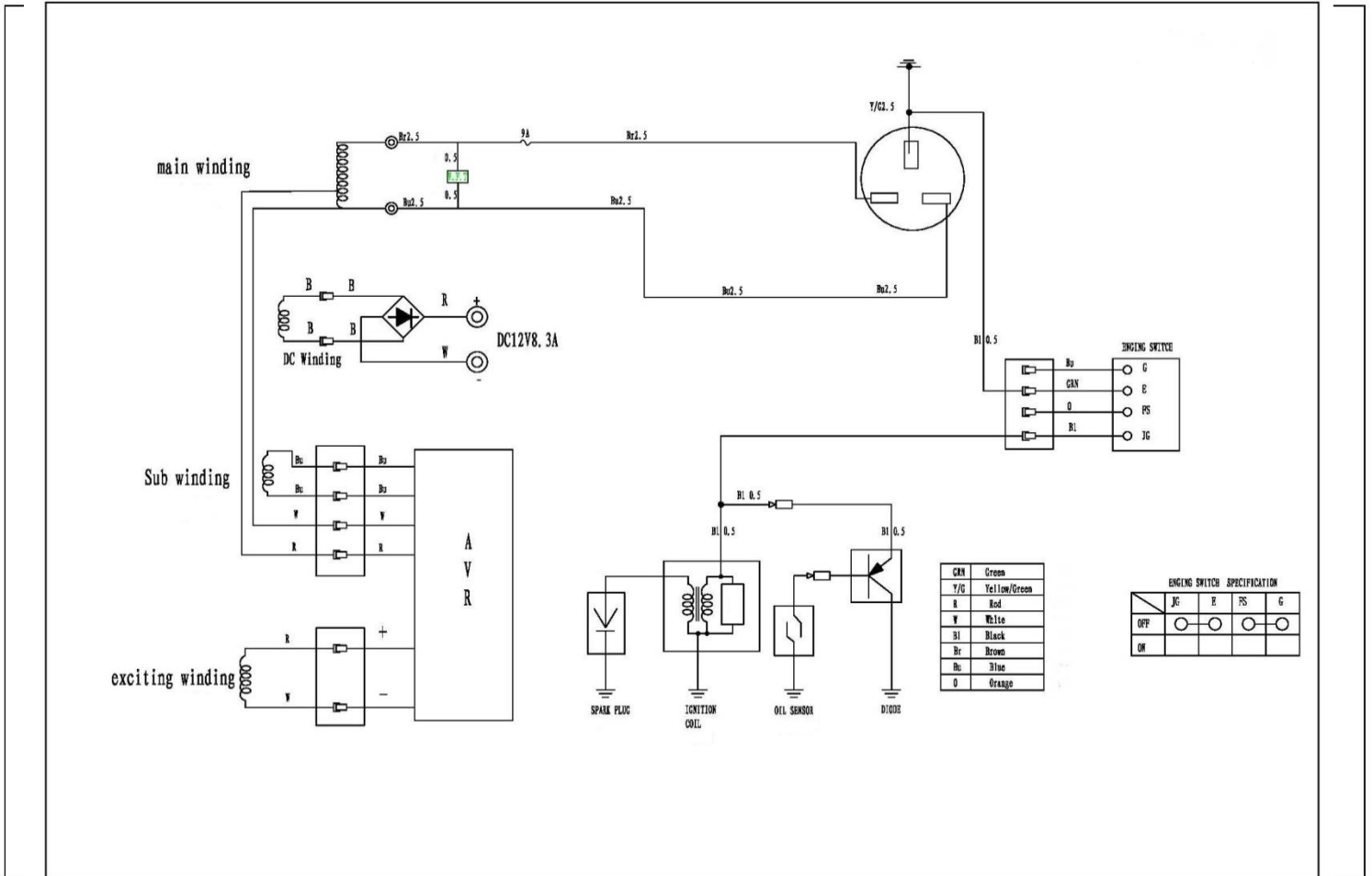
ไม่มีกระแสไฟฟ้าที่ช่องเสียบปลั๊กไฟฟ้า:

ตรวจสอบให้แน่ใจว่าสวิตช์เบรกเกอร์ อยู่ในตำแหน่ง "ON"	หลังจากที่ตรวจสอบสวิตช์เบรกเกอร์แล้วให้ตรวจสอบกำลังรวมของเครื่องใช้ไฟฟ้า ต้องไม่เกินขนาดของเครื่องกำเนิดไฟฟ้า เปิดสวิตช์เบรกเกอร์ไปตำแหน่ง "ON" . ถ้าสวิตช์เบรกเกอร์ยังทำงานปกติ ให้ปรึกษากับศูนย์บริการใกล้บ้าน
ตรวจสอบขั้วไฟฟ้า AC และ DC ไม่มีการเชื่อมต่อ	เชื่อมต่อขั้วไฟฟ้า ถ้ามีความจำเป็น
ตรวจสอบขณะที่สตาร์ทเครื่องยนต์ ต้องไม่มีเครื่องใช้ไฟฟ้าต่อใช้งานในขณะที่สตาร์ทเครื่องยนต์	ดับเครื่องยนต์ และถอดสายต่อพ่วงที่มีเครื่องใช้ไฟฟ้าต่อใช้งานอยู่ และต่อเครื่องใช้ไฟฟ้าเข้ากับเครื่องกำเนิดไฟฟ้าหลังจากเครื่องยนต์ทำงานตามปกติแล้ว
กระแสไฟฟ้าตก	แปรงถ่านหลวม ให้เปลี่ยนแปรงถ่านอันใหม่

ถ้าสังเกตเห็นไอน้ำแข็งเกาะตามถังแก๊สแอลพีจี ตัวปรับแรงดันหรืออุปกรณ์ควบคุมอื่น ๆ เป็นเรื่องปกติ ไม่มีผลกระทบต่อประสิทธิภาพของเครื่องกำเนิดไฟฟ้า แอลพีจีมีสถานะเป็นก๊าซและขณะที่ไหลจากถังไปสู่เครื่องกำเนิดไฟฟ้าจะเกิดการขยายตัวของแก๊ส ปริมาณของการเป็นไอน้ำแข็งขึ้นอยู่กับขนาดของถังแก๊ส

- ปริมาณของการใช้แก๊สของเครื่องกำเนิดไฟฟ้า
 เงื่อนไขของความชื้นในอากาศในขณะที่เครื่องยนต์ทำงาน
 ในสถานการณ์ที่ไม่ปกติไอน้ำแข็งอาจทำให้การไหลของแก๊สมีปัญหาได้
 ถ้าอุณหภูมิแก๊สต่ำกว่าอุณหภูมิการเป็นไอของแก๊สแอลพีจีก็จะทำให้ประสิทธิภาพของเครื่อง
 กำเนิดไฟฟาลดลงได้
 เป็นปัญหาที่ไม่ใช่ปัญหาที่เกิดขึ้นจากตัวเครื่องกำเนิดไฟฟ้าแต่เป็นปัญหาที่เกิดจากการไหลของ
 แก๊ส ถ้าปัญหาของเครื่องกำเนิดไฟฟ้ามีความรุนแรงมากขึ้นจากไอน้ำแข็ง
 ตั้งข้อสังเกตกับวาล์วถัง, ท่อแก๊ส, หรือตัวปรับแรงดัน
 ปัญหาอาจเกิดจากอุปกรณ์เหล่านี้ทำงานผิดพลาดหรือตัวอุปกรณ์ทำงานผิดปกติ
 แต่เป็นปัญหาที่พบได้ยาก
 สามารถแก้ปัญหาได้โดยทำให้ตัวอุปกรณ์อุ่นขึ้นหรือปฏิบัติตามอย่างใดอย่างหนึ่งนี้
- เปลี่ยนถังแก๊สถังใหม่เพื่อให้ถังที่มีไอน้ำแข็งอุ่นขึ้น ทำซ้ำเรื่อย ๆ จนกว่าปัญหาจะหมดไป
 - วางถังแก๊สแอลพีจีใกล้กับเครื่องกำเนิดไฟฟ้า
 ตรงตำแหน่งที่มีการระบายความร้อนเครื่องยนต์
 เป็นอากาศร้อนที่ระบายออกมาจากเครื่องยนต์ ไม่ควรวางถังแก๊สใกล้กับท่อไอเสีย

10. วงจรไฟฟ้า



11. แรงดันไฟฟ้าลดลงในการต่อสายไฟ

ความยาวของสายต่อพ่วงระหว่างเครื่องกำเนิดไฟฟ้ากับอุปกรณ์ไฟฟ้ามีผลต่อปริมาณแรงดันไฟฟ้า หากความยาวของสายต่อพ่วงยิ่งมาก จะทำให้แรงดันไฟฟ้ายิ่งลดลง ซึ่งจะส่งผลกระทบต่ออุปกรณ์ไฟฟ้าที่ต่อพ่วง

ด้านล่างเป็นตารางเปรียบเทียบสายต่อพ่วงที่มีความยาว **300 ฟุต (ประมาณ 100 เมตร)** ใช้สำหรับเชื่อมต่อระหว่างเครื่องกำเนิดไฟฟ้ากับเครื่องใช้ไฟฟ้าหรือเครื่องมือที่ใช้ไฟฟ้า

Nominal cross section	A.W.G.	Allowable	No. of strands	Resistance /100m	Current Amp.						
					1A	3A	5A	8A	10A	12A	15A
mm ²	No.	A	No./mm								
0.75	18	7	30/0.18	2.477	2.5V	8V	12.5V				
1.27	16	12	50/0.16	1.486	1.5V	5V	7.5V	12V	15V	18V	
2.0	14	17	37/0.26	0.952	1V	3V	5V	8V	10V	12V	15V
3.5	12 to 10	23	45/0.32	0.517		1.5V	2.5V	4V	5V	6.5V	7.5V
5.5	10 to 8	35	70/0.32	0.332		1V	2V	2.5V	3.5V	4V	5V

การรับประกันตามกฎหมาย - การลงทะเบียน

ลงทะเบียนการรับประกันตามกฎหมายได้ที่: www.greengearglobal.com

การรับประกันตามกฎหมายนั้นทำการลงทะเบียนโดยตัวแทนจำหน่ายอย่างเป็นทางการ
(โดยการแสดงหลักฐานการซื้อ)

เปิดใช้งานการรับประกัน กรอกแบบฟอร์มการลงทะเบียนออนไลน์ได้ที่
www.greengearglobal.com/productregistration





EC DECLARATION OF CONFORMITY



For the following machinery:

Product name: LPG/Propane powered generator

Commercial name: N/A

Function: Low power generator set

Type: LPG/Propane

Model No.: GE-2000M,GE-2000,GE-3000M,GE-3000,GE-3000MUK,GE-3000UK,GE-5000M,GE-5000,GE-5000MUK,GE-5000UK,GE-6000M,GE-6000,GE-6000MUK,GE-6000UK,GE-6000TM,GE-6000T,GE-7000M,GE-7000,GE-7000MUK,GE-7000UK,GE-7000TM,GE-7000T.

is herewith confirmed to fulfill all the relevant provisions of Machinery Directive (2006/42/EC) and comply with Low-Voltage Directive (2006/95/EC) and Electromagnetic Compatibility Directive (2004/108/EC) and Noise Emission Directive by equipment for use outdoors (2000/14/EC + 2005/88/EC)

and the following harmonized standard have been complied with:

- EN 12601:2010;
- EN 61000-6-2:2005;
- EN 61000-6-4:2007;

Responsible for marking this declaration is the:

Manufacturer x	Authorized representative established within the EU
Manufacturer's Name	: GREENGEAR GLOBAL SRL
Manufacturer's Address	: VIALE DUCA DEGLI ABRUZZI 163, BRESCIA, ITALY
Authorized Rep's Name	: -
Authorized Rep's Address	: -

Person responsible for compiling the technical files established within the EU

Name, Surname	: ANDREA FOGLIETTI
Address	: VIALE DUCA DEGLI ABRUZZI 163, BRESCIA, ITALY

Person responsible for making this declaration

Name, Surname	: ANDREA FOGLIETTI
Position/Title	: Managing Director

Brescia, Italy	March 10, 2017
----------------	----------------

(Place)

(Date)

(Company stamp and legal signature)

GREENGEAR GLOBAL SRL
Via Duca Degli Abruzzi n° 163
25124 BRESCIA
C.F. e Part. I.V.A. 01687780906



คู่มือการใช้งาน และการบำรุงรักษา



Greengear Global srl
Viale Duca degli Abruzzi 163
25124 Brescia
Italy

Website: www.greengearglobal.com
Mail: info@greengearglobal.com
www.facebook.com/greengear.c0



greengear

looking ahead

СУГ/ПРОПАНОВЫЕ ГЕНЕРАТОРЫ

ИНСТРУКЦИЯ И ТЕХНИЧЕСКИЕ ХАРАКТЕРИСТИКИ
ГЕНЕРАТОРОВ

Модели генераторов Greengear: GE2000, GE-3000, GE5000, GE6000, GE-7000, GE-6000T, GE-7000T



PGE2017/ Rev. 1



Благодарим вас за приобретение генератора Greengear Global

LPG / Propane генераторной установки

Мы хотим помочь вам получить наилучшие результаты от вашего нового генератора и безопасно использовать его. Это руководство содержит информацию о том, как это сделать; Пожалуйста, прочитайте его внимательно.

Данное руководство пользователя описывает работу и техническое обслуживание LPG / Propane генераторной установки, работающей на сжиженном нефтяном газе / пропане. Вся информация в этой публикации основана на последней информации о продукте, доступной на момент печати, Greengear Global Srl. оставляет за собой право вносить изменения в любое время без уведомления и без каких-либо обязательств. Никакая часть данной публикации не может быть воспроизведена без письменного разрешения. Это руководство следует рассматривать как постоянную часть генератора и должно оставаться с ним.

Надеемся, вам понравится ваш новый генератор!

С наилучшими пожеланиями,

Greengear Global Srl.

СОДЕРЖАНИЕ

Contents

1. ПРАВИЛА ТЕХНИКИ БЕЗОПАСНОСТИ 137
2. ТЕХНИЧЕСКИЕ ХАРАКТЕРИСТИКИ 141
3. SPECIFICATIONS 142
4. ПРЕД-ПУСКОВЫЕ ПРОВЕРКИ 147
5. РАБОЧИЕ ПРОЦЕДУРЫ 153
6. ИНФОРМАЦИЯ ВАТТНОСТИ 159
7. ТЕХНИЧЕСКОЕ ОБСЛУЖИВАНИЕ 160
8. ХРАНЕНИЕ И ТРАНСПОРТИРОВКА 166
9. ПОИСК И ИСПРАВЛЕНИЕ НЕИСПРАВНОСТЕЙ 168
10. ЦИФРОВАЯ СХЕМА 169



Благодарим вас за приобретение генератора *Greengear*
Global LPG / Propane!

Мы хотим помочь вам получить лучшие результаты от вашего нового генератора. Это руководство содержит информацию о том, как это сделать; Пожалуйста, прочитайте его внимательно.

Данное руководство пользователя описывает работу и техническое обслуживание генераторной установки, работающей на сжиженном нефтяном газе / пропане. Вся информация в этой публикации основана на последней информации о продукте, доступной на момент печати **Greengear Global Srl**. Резервирует право вносить изменения в любое время без уведомления и без каких-либо обязательств. Никакая часть данной публикации не может быть воспроизведена без письменного разрешения. Это руководство следует рассматривать как постоянную часть генератора и должно оставаться с ним.

Надеемся, вам понравится ваш новый генератор!

Best Wishes,

Greengear Global Srl.

1. ПРАВИЛА ТЕХНИКИ БЕЗОПАСНОСТИ

Перед использованием LPG/PROPANE оборудования, соблюдайте элементарные меры предосторожности, всегда должны соблюдать правила перечисленные в данном руководстве, для избежания получения серьезных травм или повреждения оборудования. Прочитайте это руководство полностью перед использованием оборудования и сохраните ее для дальнейшего благополучного использования. Следующие меры предосторожности необходимы для вашей безопасности, однако этот перечень мер не является исчерпывающим. Всегда используйте оборудование только по назначению и помните, что оператор несет ответственность за несчастные случаи при несоблюдении норм безопасности.

СИМВОЛЫ, ИСПОЛЬЗУЕМЫЕ В ДАННОМ РУКОВОДСТВЕ



Прочитайте руководство использования



Внимание: горячий элемент



Ядовитые пары, не работать в замкнутом помещении



Всегда выключайте двигатель и дайте ему остыть перед заменой баллона



генератор должен быть заземлен.



Не использовать во время осадков.



To avoid back feeding into utility systems, isolation of the residence electrical system is required.



WARNING:

Эта машина излучает электромагнитное поле во время работы. Это поле может при некоторых обстоятельствах мешать пассивным или активным имплантам. Для того чтобы снизить риск серьезных или смертельных травм, мы рекомендуем лицам с медицинскими имплантами проконсультироваться с врачом или производителем имплантов для безопасной работы.

Подготовка

- Если вы устали, больны или под действием алкоголя, наркотиков или медицинских препаратов пользоваться оборудованием не рекомендуется.
- Прочитайте эту инструкцию внимательно. Ознакомьтесь с правильным использованием.
- Никогда не оставляйте детей без присмотра рядом с оборудованием.
- Помните, что оператор несет ответственность за несчастные случаи при неправомерном использовании.
- Давайте работать с оборудованием только людям ознакомившимся с данной инструкцией и знакомых с данным оборудованием.

Подготовка к использованию

- Перед использованием снимите все упаковочные пакеты и транспортировочные элементы.
- Перед использованием проверьте оборудование. Проверьте, чтоб всем компоненты были на месте и были соединены. Не включайте оборудование если что то неисправно или не достает чего-либо.

Использование

- Используйте данное оборудование только по назначению. Использовать для других целей не допускается, это может быть опасным и в результате вывести из строя оборудование.
- Не использовать в замкнутом пространстве, где нет вентиляции из-за опасности скопления выхлопных газов;
- Не менять характеристики двигателя и не менять кол-во оборотов самостоятельно;
- Запускать двигатель согласно инструкциям и держать ноги дальше от лезвий;
- Не качать оборудование во время запуска двигателя;
- Не прикасайтесь к проводам во время работы: может привести к ударам тока и нанести серьезные увечья.

Техническое обслуживание и хранение

- Все болты, гайки и винты должны быть крепко затянуты, чтобы оборудование находилось в безопасном рабочем режиме;
- Никогда не храните оборудование с LPG/PROPANE баллонами внутри помещения где пары могут достигнуть открытого огня или искр; Никогда не оставляйте под прямыми солнечными лучами. Не храните при температуре свыше 49 °C (120° F).
- Выхлопные газы содержат ядовитый угарный газ, который может достичь опасного уровня содержания в закрытых помещениях. Вдыхание угарного газа может привести к головокружению, потери сознания или смерти.
- Давайте двигателю остыть перед переносом в место хранения, горячие части могут привести к серьезным ожогам.
- Замените изношенные или поврежденные детали ради безопасности;
- Информационные наклейки всегда должны быть чистые и читаемые.

**WARNING**

Заменять баллон необходимо только на открытом воздухе и выкл. двигателе.

GREENGEAR GLOBAL LTD не несет ответственности за материальный или личный ущерб причиненного в случае не соблюдения информации, находящейся в данном руководстве по эксплуатации, в частности, в отношении безопасности, эксплуатации и технического обслуживания, или который возникают в случае использования не подходящих зап. частей и комплектующих. Любое повреждение, вызванное несоблюдением инструкции по технике безопасности, эксплуатации и техническому обслуживанию является исключительной ответственностью пользователя.

GREENGEAR GLOBAL LTD также оставляет за собой право вносить изменения в описание в данном руководстве по эксплуатации в любое время без предварительного уведомления. Воспроизведение, передача или перевод на другой язык частично или полностью в любой форме данного руководства категорически запрещено без предварительно письменного согласия со стороны GREENGEAR GLOBAL LTD.

**WARNING**

Внимательно прочитайте данное руководство.

**WARNING**

Не использовать генератор вблизи бензина или газообразного топлива

**WARNING**

LPG/PROPANE очень горюч и может взорваться при взаимодействии с открытым огнем

**WARNING**

Не курить и не пользоваться открытым огнем вблизи рабочей зоны.



WARNING Всегда выключайте двигатель и дайте ему остыть перед заменой баллона.



WARNING Не оставляйте горючие материалы вблизи генератора



WARNING

Не заводите генератора в закрытом или плохо вентилируемом помещении. Использовать только в хорошо вентилируемом помещении, потому что двигатель может быстро перегреться и ядовитая окись углерода, содержащаяся в выхлопных газах будет ставить под угрозу человечески жизни. Ставьте генератор не ближе 1 метра от здания во время работы. Если генератор используется в помещении, то она должна быть хорошо вентилируема и должны быть продуманы способы вывода выхлопных газов.



WARNING

Не накрывайте генератора, потому что он оснащен системой принудительного воздушного охлаждения. В противном случае он будет перегреваться.



WARNING

Использовать генератор на ровной горизонтальной поверхности. Нет необходимости подготавливать специальную площадку. Тем не менее, генератор будет вибрировать на неровной поверхности. Если генератор находится на неровной поверхности или переносится во время работы, то он может опрокинуться, что вызовет опасную ситуацию. Находясь на неровной поверхности масло может не равномерно смазывать рабочие детали, что приведет к неисправности.



WARNING

Обратите внимание на электропроводку или удлинитель подключенные к генератору. Если провод находится под генератором или в контакте с вибрирующими частями, что может привести к поломке и, возможно, к пожару, выгорание генератора или поражение электрическим током.



WARNING

Не включайте во время дождя или во влажные условия, или влажными руками. Оператор может получить удар током, если генератор влажный.



WARNING

Если генератор влажный, вытереть и хорошо высушить перед началом работы. Не лейте воду непосредственно над генератором. Не мойте его водой.

**WARNING**

Будьте внимательны, чтоб каждая электрическая процедура сопровождалась заземлением. Не соблюдение этого правила может привести к летальному исходу.

**WARNING**

Не подключайте генератор к линии электропередач. Подключение к линии электропередач может привести короткое замыкание генератора и повредить его или привести к поражению электрическим током. Используйте только подключение к домашней сети.

**WARNING**

Не курить при взаимодействии с батареей. Аккумуляторная батарея выделяет горючий газ водород, который может взорваться при взаимодействии с электрической искрой или открытого пламени. Держите в хорошо проветриваемом помещении и вдали от открытого огня.

**WARNING**

Во время работы двигатель нагревается и после остановки надо какое-то время, чтоб остыл. Держите горючие материал подальше от генератора. Будьте осторожны и не прикасайтесь к горячим частям двигателя, особенно области глушителя, это может привести к серьезным ожогам. Держите детей подальше

**WARNING**

Все операторы должны прочитать, понять и соблюдать правила эксплуатации и безопасности. Все технические и инструментальные характеристики должны быть поняты. Следуйте всем предупреждения и указаниям на этикетках. Храните все инструкции и литературу в надежном месте для дальнейшего использования.

**WARNING**

Когда используете оборудование на открытом воздухе, используйте только удлинитель с маркировкой «для наружного применения».

**WARNING**

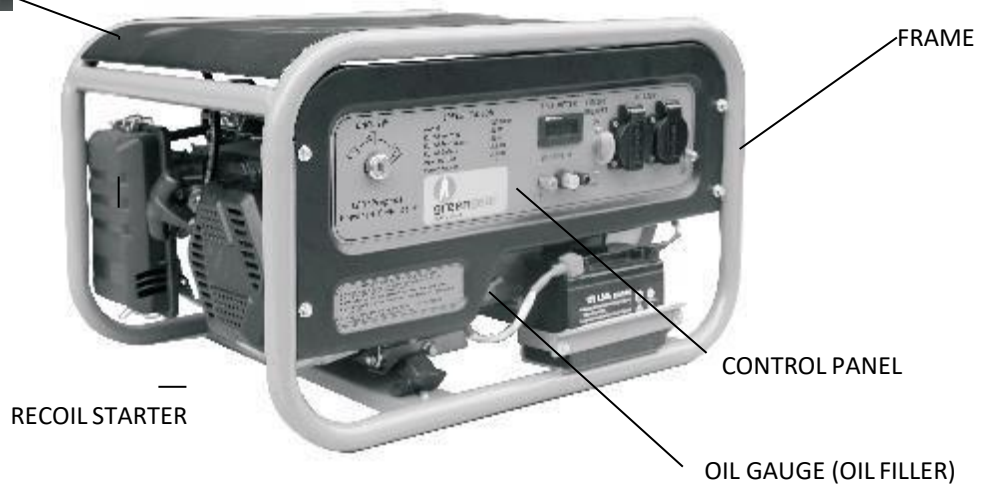
Всегда отключайте автоматический предохранитель генератора и отключайте все приборы, когда он не работает, перед обслуживанием, регулировкой или установкой дополнительных принадлежностей.

2. ТЕХНИЧЕСКИЕ ХАРАКТЕРИСТИКИ

GE-2000, GE-3000



ВХОД



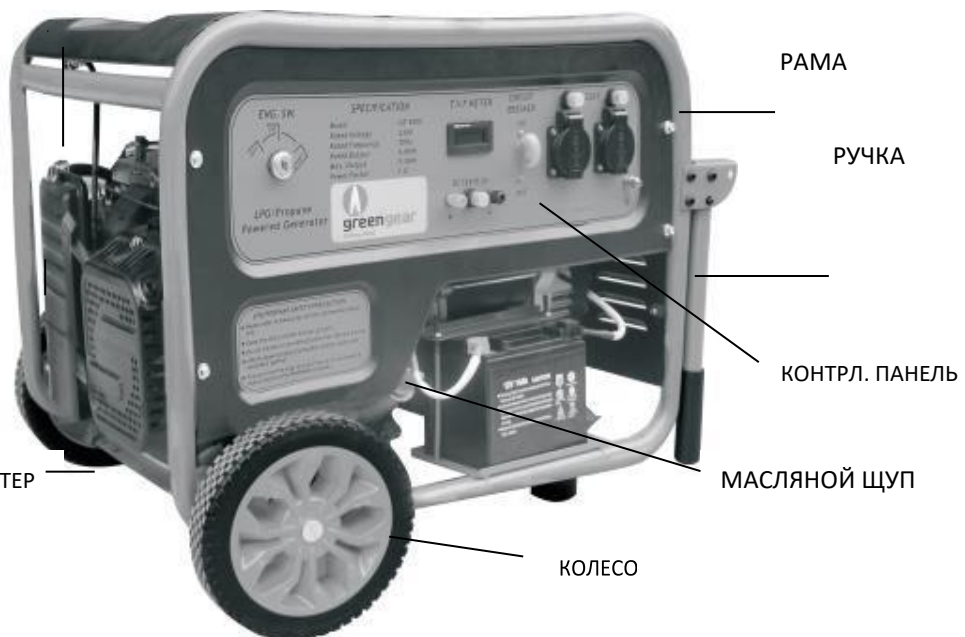
GE-5000, GE-6000, GE-6000T, GE- 7000, GE-7000T



ВХОД

AIR CLEANER

РУЧНОЙ СТАРТЕР



3. SPECIFICATIONS

МОДЕЛЬ ГЕНЕРАТОРА	GE-2000	GE-3000
Модель двигателя	GGN3GN	GG3GN
Тип двигателя	OHV, 25°наклон, одноцилиндровый, воздушное охлаждение, 4х-тактный	
Диаметр цилиндра*ход(мм)	68 x 54	68 x 54
Объем(см3)	212	212
Тип зажигания	T.C.I.	
Степень сжатия	8.5:1	8.5:1
Топливо	LPG/Propane	LPG/Propane
Запуск	Электрический	Электрический
СУГ/пропан технология	ENE RKIT	
Расход*(г/кВтч)	>523	>441
Напряжение (V)	230	230
Макс. мощность (KW)	2.2 (3HP)	3.1 (3.8 HP)
Ном. мощность (KW)	2.0 (2.7 HP)	2.8 (3.4 HP)
Ном. ток (A)	9	11.5
Частота (Hz)	50Hz	50Hz
Коеф. мощности(cos φ)	1.0	1.0
Объем масла (л)	0.6	0.6
Масса (кг)	43.5	49

Модель генератора	GE-5000	GE-6000
Модель двигателя	GGN4GN	GG5GN
Тип двигателя	OHV, 25°наклон, одноцилиндровый, воздушное охлаждение, 4х-тактный	
Диаметр цилиндра*ход (мм)	88x64	90x66
Объем (см3)	389	420
Степень сжатия	8.5:1	8.5:1
Топливо	LPG/Propane	LPG/Propane
Тип запуска	Электрически	Электрический
СУГ/пропановая технология	ENERKIT BASIC	
Расход*(г/кВтч)	>398	>235
Напряжение (V)	230	230
Макс.мощность(KW)	5.5 (7.4 HP)	6.5 (8.7 HP)
Ном. мощность (KW)	5 (6.7 HP)	6.0 (8 HP)
Ном. ток (A)	21.7	26
Частота (Hz)	50	50
Кэф. Мощности (cos φ)	1.0	1.0
Объем масла (л)	1.1	1.1
Рабочее время	Зависит от кач-ва пропановой смеси и объема баллона	
Масса (кг)	93	93



Модель генератора	GE-6000T	GE-7000
Модель двигателя	GG5GN	GG6GN
Тип двигателя	ОНV,25°наклон, одноцилиндровый, воздушное охлаждение, 4х-тактный	
Диаметр цилиндра*ход (мм)	90x66	92x67
Объем (см3)	420	445
Степень сжатия	8.5:1	9.0:1
Тип топлива	СУГ/Пропан	СУГ/Пропан
Запуск	Электрически	Электрический
СУГ/пропановая технология	ENERKIT BASIC	
Расход (г/кВтч)	>398	>318
Напряжение (V)	230/400	230
Макс.мощность (KW)	6.5 (8.7 HP)	7.5 (9.8 HP)
Ном.мощность (KW)	6.0 (8 HP)	7.0 (9.1 HP)
Ном. ток (A)	26	30
Частота (Hz)	50	50
Коэф. мощности (cos Φ)	1.0	1.0
Объем масла (л)	1.1	1.1
Масса (кг)	95	95

Модель генератора	GE-7000T
Модель двигателя	GG6GN
Тип двигателя	ОНV,25°наклон, одноцилиндровый, воздушное охлаждение, 4х-тактный
Диаметр цилиндра*ход (мм)	92x66
Объем (см3)	420
Тип зажигания	Т.С.І
Степень сжатия	9.0:1
Топливо	СУГ/Пропан
Запуск	Электрический
СУГ/пропановая технология	ENERKIT BASIC
Расход (г/кВтч)	>318
Напряжение (V)	230/410
Макс. мощность (KW)	7.5 (9.8 HP)
Ном. мощность (KW)	7.0 (9.1 HP)
Ном. ток (A)	30
Частота (Hz)	50
Коеф. Мощности (cos Φ)	1.0
Объем масла (л)	1.1
Масса (кг)	96

Стандартные условия эксплуатации:

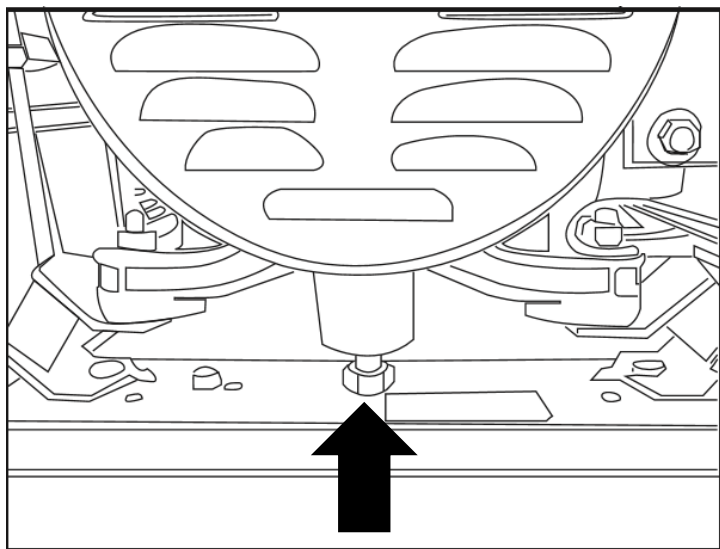
ВНИМАНИЕ: Генераторы могут быть нагружены до номинальной мощности только при номинальных условиях окружающей среды. Снижение мощности возможно при использовании в условиях высокой температуры, высоты и влажности, превышающих указанных ниже.

Генераторы может запускаться и использоваться при температуре окружающей среды от -5°C до 40°C, стандартными условия являются:

Температура окружающей среды	25°C
Атмосферное давление	100 kPa
Относительная влажность	30%
Высота над уровнем моря	менее 1000 m

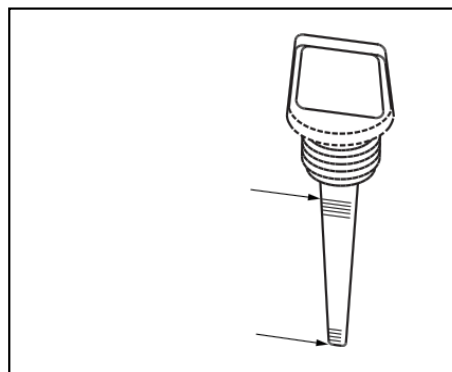
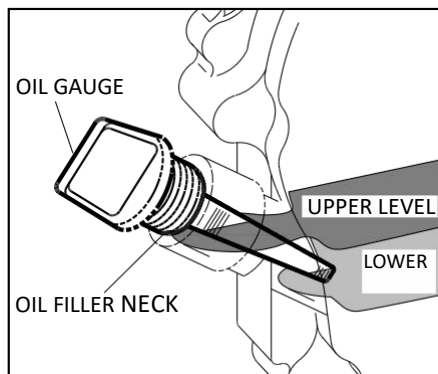
4. ПРЕД-ПУСКОВЫЕ ПРОВЕРКИ

4.1 ПРИМЕЧАНИЕ. Перед вводом в эксплуатацию данного агрегата поставляется транспортировочный болт, необходимо снять центральный транспортировочный болт и резиновый рукав (см. Рисунки ниже) с кронштейна крепления двигателя. Несоблюдение этого требования может привести к серьезному повреждению генератора во время работы.



4.2 ПРОВЕРИТЬ УРОВЕНЬ МАСЛА

- ⓘ ПРИМЕЧАНИЕ: оборудование поставляется без масла в картере. Заполните картер перед первым запуском для предотвращения повреждения двигателя.
- ⓘ Перед проверкой или замены масла убедитесь, что генератор стоит на ровной поверхности с неработающим двигателем.
- ⓘ Если уровень масла ниже уровня минимальной отметки долейте подходящее масло (смотри таблицу масла) к линии верхнего уровня.



Емкость для масла:

Модель генераторов: GE2000, GE-3000: 0.6 литра

Модель генератора: GE5000, GE6000, GE-7000: 1.1 литра

Рекомендуемое моторное масло:

Используйте 4х-тактное моторное масло класса обслуживания SE или более высокого качества (SG, SH или SJ рекомендуется). SAE 10W-30 или 10W-40 используется для общего пользования на всех температурах. Если используется вязкость одного масла, выберите соответствующую вязкость для средней температуры в вашем регионе.

Oil table:

SINGLE GRADE	5W						
		10W					
			20W				
				30			
					#30		
						#40	
MULTIGRADE		10W-30					
		10W-40					
AMBIENT T.	-20	-10	0	10	20	30	40°C
	-4	14	32	50	68	86	104°F

4.2 ПОДКЛЮЧЕНИЕ ПРОПАНОВОГО БАЛЛОНА

ПРЕДУПРЕЖДЕНИЕ: Сера, вода, пыль и тд вредны для двигателя. Если источник подачи газа содержит эти вещества, то оператор должен обеспечивать фильтр для удаления их, чтобы обеспечить подачу чистого газа. В противном случае срок службы двигателя будет сокращен.

Используйте пропановую смесь только высокого качества для предотвращения повреждения двигателя. При горении пропан имеет характерный запах (серы и тухлых яиц). Если этот запах чувствуется, то необходимо срочно отключить двигатель. Если утечка не устранена, то отсоедините пропановый баллон. Никогда не используйте оборудование если есть подозрение утечки.

- ⚠ Горение пропана выделяет окись углерода (CO). CO невидим, не имеет запаха и может убить. Эксплуатирование генератора в закрытом помещении может быть опасным.
- ⚠ Используйте только в хорошо вентилируемых помещениях. Если вы начали испытывать головную боль, сонливость или тошноту, выключите устройство и выйдите на свежий воздух.
- ⚠ Никогда не используйте где спят люди.
- ⚠ Следуйте инструкциям для правильного и безопасного использования.
- ⚠ Храните в недоступном для детей месте.
- ⚠ Никогда не храните при температуре свыше(49°C).
- ⚠ Никогда не используйте в жилых помещениях.
- ⚠ Всегда используйте баллон до полного опустошения.
- ⚠ Никогда не берите с собой в багаже или в самолет.
- ⚠ В случае опустошения баллона, пожалуйста, уважайте местные законы и не выкидывайте его. Занесите его в специализируемые организации для замены или заправки. Никогда не бросайте в огонь.

ПЕРЕД ИСПОЛЬЗОВАНИЕМ

- 1) Проверьте баллон и устройства уплотнения. Откажитесь от баллона, если в зоне клапана есть ржавчина.
- 2) Выключите оборудование.
- 3) Присоедините баллон на открытом воздухе. Вдали от источников огня, искр или других источников воспламенения.
- 4) Если подключение при подключении баллона необходимо использование инструмента, используйте только специально разработанный инструмент. Не перетягивайте соединения баллона. Чрезмерное затягивание может привести к повреждению уплотнения.
- 5) Проверьте на наличие утечек с помощью мыльной воды. Прислушайтесь к шипению выходящего газа. Проверьте на наличие пузырьков. На наличие тухлого запаха. Проверьте баллон в условиях экстремального холода. Не используйте, если есть подозрения на утечку.

б) Читайте и соблюдайте эти инструкции.

В ПРОЦЕССЕ ИСПОЛЬЗОВАНИЯ

В случае утечки никогда не используйте вблизи сигнальных огней, огня, искр или других источников воспламенения.

ПОСЛЕ ИСПОЛЬЗОВАНИЯ

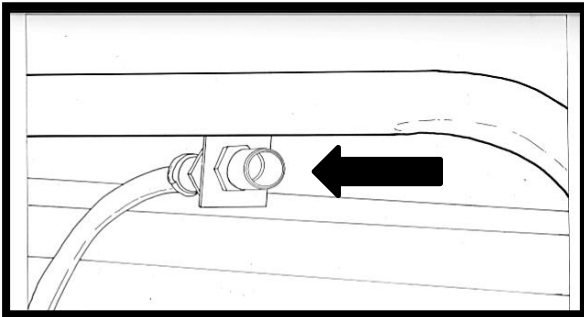
- 1) Выключите генератор и дайте ему остыть.
- 2) Отсоедините баллон, если он не используется.
- 3) Отсоединить баллон вдали от легко воспламеняющихся материалов, источников огня и возгорания.

В СЛУЧАЕ ПОЖАРА

- 1) Быстро покиньте область и сообщите в местное отделение пожарной безопасности.
- 2) Дайте баллону выгореть.

КАК ПОДКЛЮЧИТЬ ИСТОЧНИК ПОДАЧИ ГАЗА (1):

- 1) Источник подачи газа держите закрытым.
- 2) Убедитесь что двигатель выключен.
- 3) Подключите гибкий шланг к впуску газа резьбовым соединением и закрутите против часовой стрелки.



- 1) Подсоедините к баллону.
- 2) Используйте гаечный ключ для закрепления гайки с обеих сторон шланга, проверьте на наличие утечек.
- 3) Все соединения должны быть плотно закреплены перед использованием. Проверьте соединения и шланг на предметы утечки или разрывов, в случае необходимости, замените. Проверяйте газовый шланг на любые повреждения каждые 18 месяцев. Пропан всегда должен использоваться в соответствии с инструкциями изготовителя.

- 1) Используйте только оригинальные аксессуары и комплектующие GreenGear Global Ltd или Cavagna Group.

4.3 ПРОВЕРКА СОСТАВНЫХ ЧАСТЕЙ/ГЕНЕРАТОРНОГО ОКРУЖЕНИЯ

Проверьте следующее перед запуском двигателя:

- 1) Убедитесь, что источник подачи газа находится в хорошем состоянии. Убедитесь, что подключение газа на входе плотно фиксируется и не протекает.
- 2) Убедитесь что все болты и гайки плотно затянуты.
- 3) Проверьте на наличие поврежденных компонентов.
- 4) Убедитесь, что генератор ни на что не опирается и нет смежной проводки.
- 5) Убедитесь, что область возле генератора чистая.



WARNING Обязательно ознакомьтесь с каждым предупреждение для избежания пожара.



WARNING Держите подальше воспламеняющие или опасные предметы в дали от генератора.



WARNING Генератор должен находится на расстоянии 1го метра от здания.



WARNING Работать только в сухом, хорошо вентилируемом месте.



WARNING Сохраняйте шланг чистым от различных загрязнений.



WARNING Генератор должен находится вдали от открытого огня. Не курить!



WARNING Держите генератор на ровной и устойчивой поверхности.



WARNING Не блокируйте доступ к воздуху для генератора и не накрывайте.

4.4 УСТАНОВКА БАТАРЕИ



WARNING

Смерть, телесные повреждения и/или повреждения имущества могут произойти, если не следовать инструкции. Используйте батарею рекомендуемой емкости.

Рекомендуемая батарея: емкость батареи 12V-24AH или выше.

Переключите положение стартера в положение "STOP" при монтаже или демонтаже батареи. При установке батареи подключите положительный (+) кабель, а затем отрицательный (-) кабель к батарее. При подключении батареи отсоедините сначала отрицательный кабель.

Красный кабель: Положительная (+) клемма

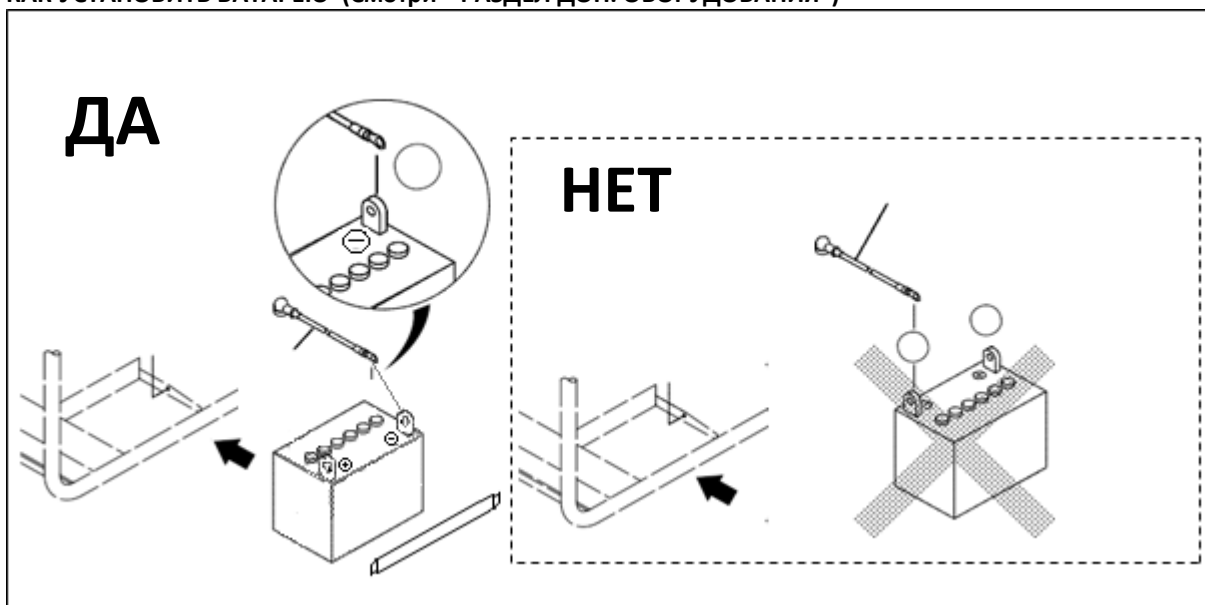
Черный кабель: Отрицательная (-) клемма

Если подключение будет выполнено не верно, то генератор будет работать не правильно.

Прочно закрепить болты и гайки на клеммах, чтобы они не ослабились из-за вибрации.

Отсоединить кабели аккумуляторной батареи во время зарядки аккумулятора.

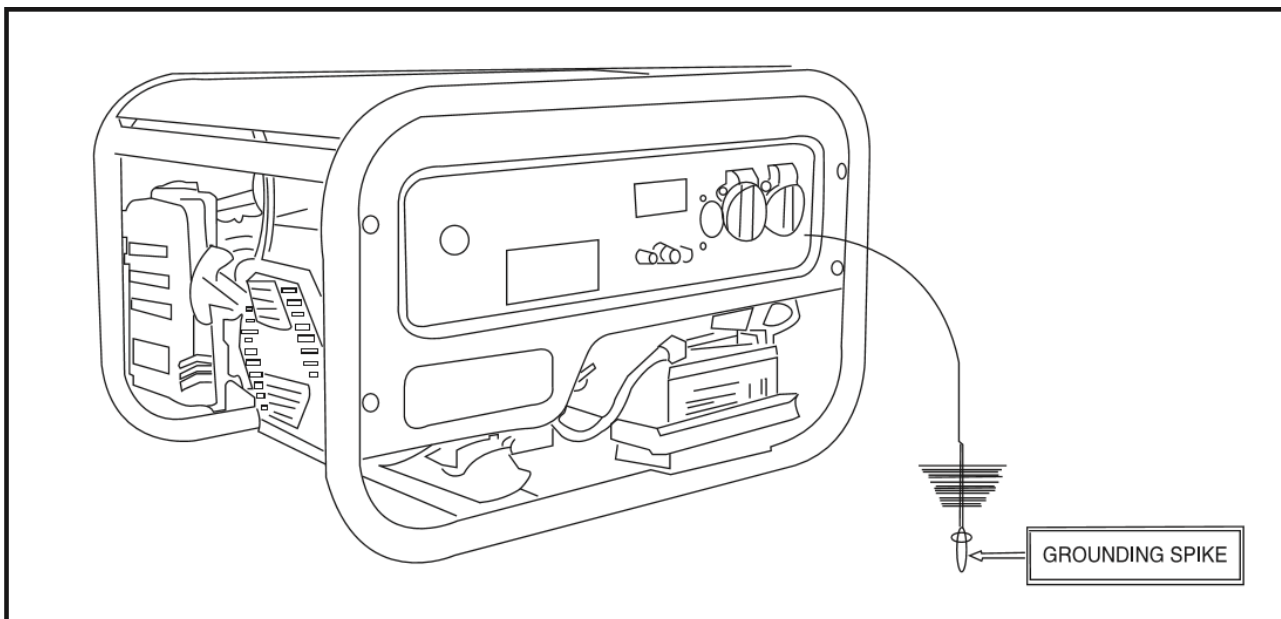
КАК УСТАНОВИТЬ БАТАРЕЮ (Смотри "РАЗДЕЛ ДОП. ОБОРУДОВАНИЯ")



4.5 ЗАЗЕМЛЕНИЕ ГЕНЕРАТОРА

Для заземления генератора, подсоедините заземляющий наконечник генератора к заземляющему шипу, вбитый в землю или к проводнику, который был уже заземлен.

Если такой заземляющий проводник или электрод заземления отсутствует, то подключите заземляющий кабель генератора к клемме заземления электрического инструмента или прибора.



5. РАБОЧИЕ ПРОЦЕДУРЫ

5.1 ЗАПУСК ДВИГАТЕЛЯ

ВНИМАНИЕ: Проверьте уровень масла перед каждым запуском как написано в пункте 4.1.

1- Откройте подачу газа повернув против часовой стрелки вентиль на баллоне

2- При наличии нажмите кнопку сброса на регуляторе.

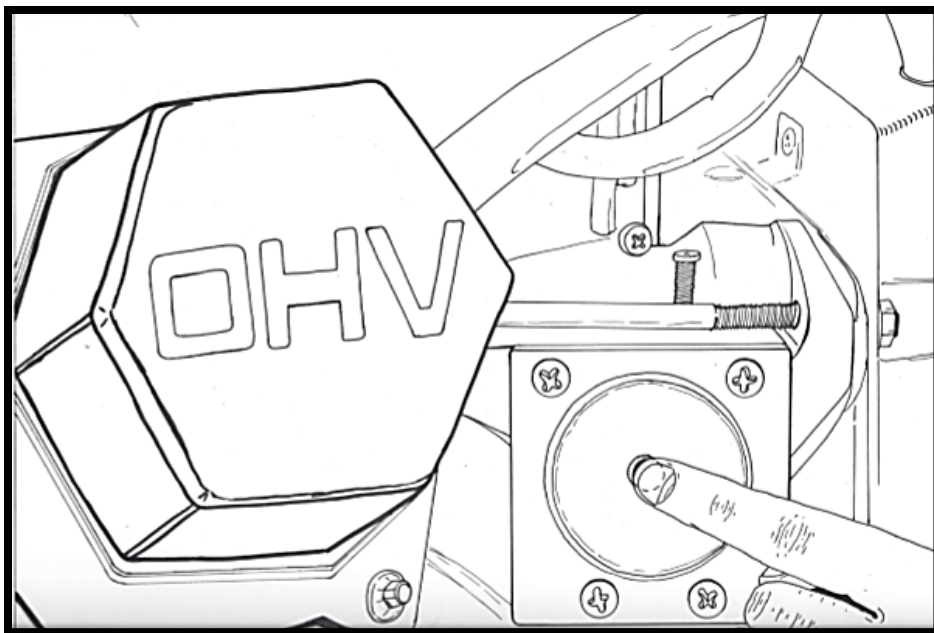
3- Нажмите кнопку подсоса на карбюраторе ENERKIT 1 или 2 раза , в противном случае двигатель будет сложно запустить.



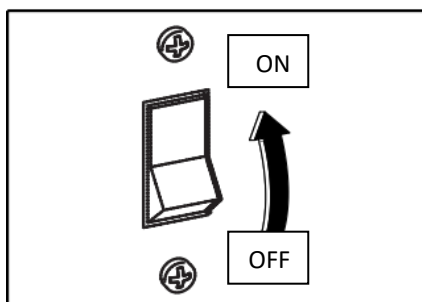
WARNING

-Нажатие кнопки подсоса слишком много раз, когда двигатель выключен может привести к серьезным проблемам для двигателя.

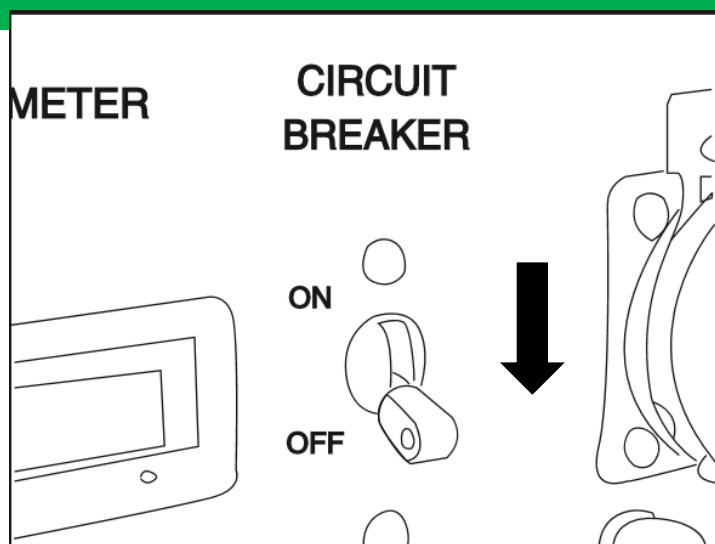
-Нажатие кнопки подсоса во время работы приведет к увеличению выбросов, что приведет к проблемам.



4- Перевести переключатель в положение "ON" (только ручной запуск).

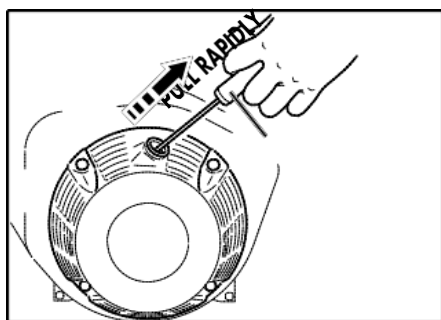


5-Переключить аварийный выключатель в положение "ON".



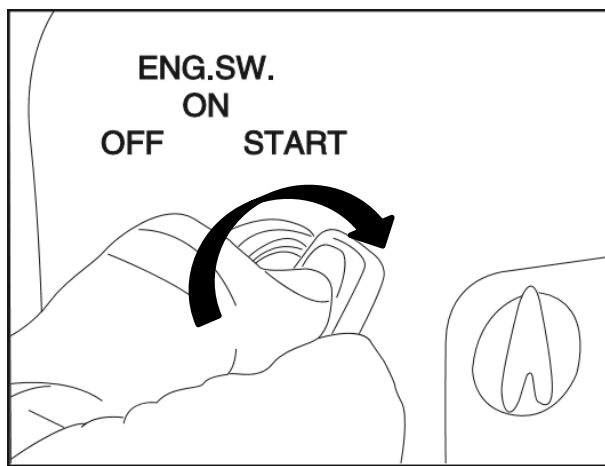
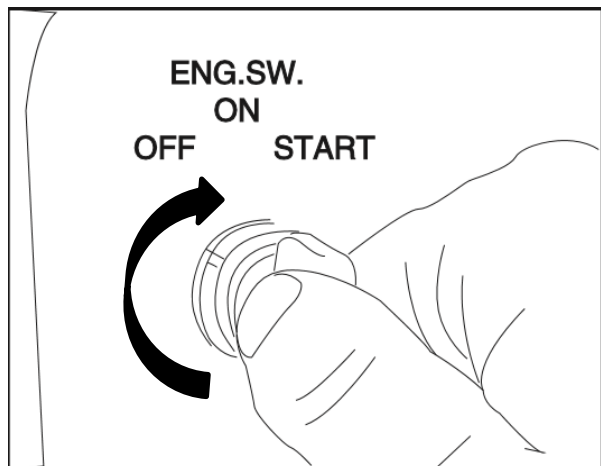
6а) Ручной запуск

Медленно потяните ручку стартера, пока не почувствуете сопротивления. Это «сжатие» точка. Верните ручку в обратное положение, а затем резко дерните. Не полностью вытащить веревку. После запуска генератора, удерживая ручку, верните ее в обратное положение.



6б) Электрический запуск

Вставьте ключ в замок зажигания и поверните по часовой стрелке в положение "ON", чтобы запустить двигатель. Затем поверните ключ дальше в положение "START". Двигатель будет запущен. ПРИМЕЧАНИЕ: При первом запуске используйте ручной стартер для запуска двигателя.



ВНИМАНИЕ: Не запускайте двигатель непрерывно в течении 5 секунд. Если двигатель не запускается, то верните ключ обратно в положение "ON" и подождите около 10 секунд, затем попробуйте еще раз.

Не поворачивайте ключ в положение "START" при работающем двигателе, чтобы предотвратить повреждение

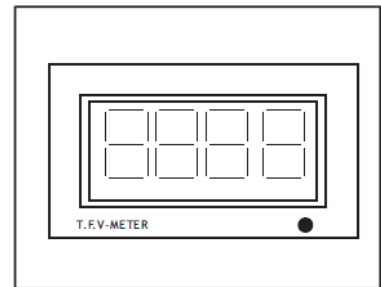
двигателя. При запуске двигателя с помощью стартера, установите ключ в положение "ON"

5.2 ИСПОЛЬЗОВАНИЕ ЭЛЕКТРОЭНЕРГИИ

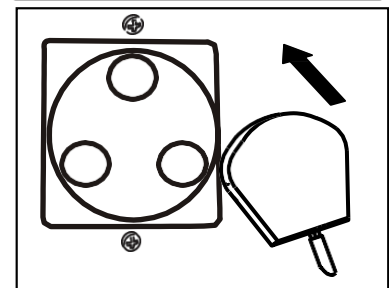
ВНИМАНИЕ : Убедитесь что прибор выключен, перед подключением к генератору. Не перемещайте генератор во время работы. Обязательно заземлите генератор, если подключенный прибор заземлен. Отсутствие заземления может привести к поражению электрическим током.

AC APPLICATION

a) Проверьте вольтметр на правильное напряжение. Этот генератор тщательно настраивается и проверяется заводом изготовителем.

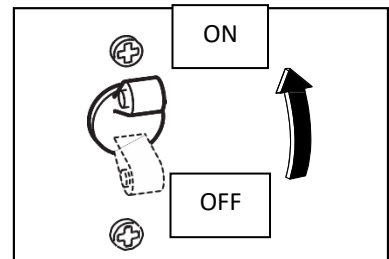


b) Электрический прибор должен быть выключен при подключению к генератору.



c) Вставьте вилку электрического прибора(ов) в розетку. Проверьте силу тока подключаемых приборов ссылкой на таблице на странице 24 (глава 11) и убедитесь, что он не потребляет ток выше указанных параметров. Убедитесь, что общая мощность подключаемых приборов не превышает номинальный значение генератора.

d) Поверните выключатель приборов.



ПРИМЕЧАНИЕ: Если тумблер во время работы переключился в положение «OFF» значит, генератор подвергся перегрузу или неисправен. Немедленно остановите генератор, проверьте прибор и/или генератор перед повторным включением.

ПОДКЛЮЧЕНИЕ К ВНУТРЕННЕЙ (ДОМАШНЕЙ) СЕТИ



WARNING

Этот генератор нейтрально заземлен. Если генератор должен быть подключен к жилым или коммерческим линиям электропередач, как резервный источник питания во время отключения электроэнергии, все соединения должны быть выполнены квалифицированным специалистом. Неправильное подключение может привести к серьезным травмам, смерти или повреждения генератора, приборов, а также повреждения проводки.

При подключение генератора к домашней сети, выходная мощность должна быть взята с фазой 220.

Установите переключатель коммутатора. Переключатель должен быть установлен для передачи нагрузки с сети к генератору. Он необходим чтобы предотвратить несчастные случаи при подключении к сети. Используйте коммутатор правильной мощности. Установите его между счетчиком и предохранителем.

ВНИМАНИЕ: Если нейтральный провод проводки дома заземлен, обязательно заземлите заземляющий контакт генератора. В противном случае возможно поражение током оператора.

ПРИМЕНЕНИЕ ПОСТОЯННОГО ТОКА

Зарядка аккумулятора

ПРИМЕЧАНИЕ: Это возможно понадобится, чтобы зарядить аккумулятор при первой запуске. Рекомендуется полностью зарядить аккумулятор зарядным устройством.

Подключите положительный полюс (красный) на генераторе к положительной клемме (+) батареи. Подключите отрицательный полюс (черный) на генераторе к отрицательной клемме (-) батареи

Используйте ручной старт для запуска генератора и аккумулятор будет заряжаться пока генератор работает.

Примечание: переменный и постоянный ток может использоваться одновременно, если общая сумма электроэнергии не превышает номинальную мощность генератора.

ЗАРЯДНОЕ УСТРОЙСТВО

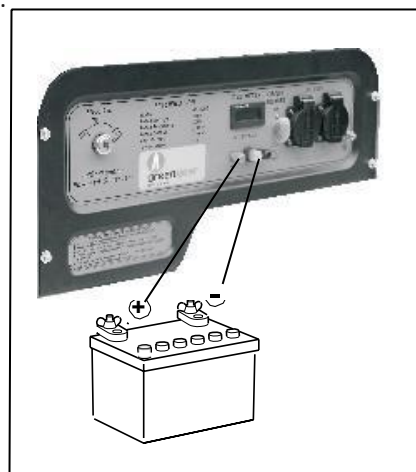
Отсоедините кабеля аккумулятора когда заряжаете его.

Подключите зарядное устройство.

Примечание: рекомендуется использовать медленные зарядные.

После полной зарядки подключите положительный (красный) провод к генератору и к положительному (+) на аккумулятору.

Тоже самое сделайте с отрицательной (черной) клеммой на генераторе и отрицательной (-) на аккумуляторе.



МЕРЫ ПРЕДОСТОРОЖНОСТИ ВО ВРЕМЯ ЗАРЯДКИ

- ⚠ Взрывной газообразный водород выпускается через вентиляционные отверстия в батарее во время зарядки аккумулятора. Не допускайте попадания искр или открытого пламени вокруг генератора или батареи во время ее зарядки.
- ⚠ Электролит при попадании на кожу или одежду может вызвать ожоги. Будьте предельно осторожны, чтобы избежать контакта с ним. При попадании на кожу быстро промойте большим количеством воды и обратитесь к врачу.
- ⚠ При зарядке аккумулятора большой емкости или полностью разряженную батарею, избыточный ток может заставить аварийный выключатель-предохранитель выключить генератор. В таких случаях используйте зарядное устройство большой мощностью переменного тока.
- ⚠ Батарея с дефектами также может аварийно выключить генератор. Проверьте батарею перед заменой выключателя постоянного тока.

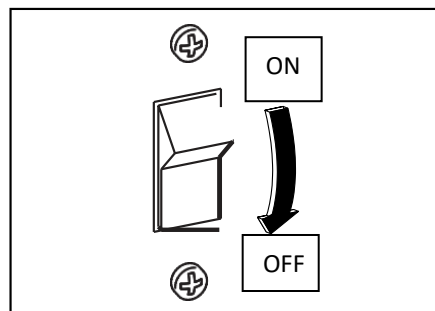
5.3 ОСТАНОВКА ГЕНЕРАТОРА

1-Выключить подключенное оборудование и отсоединить кабель питания от розетки генератора.

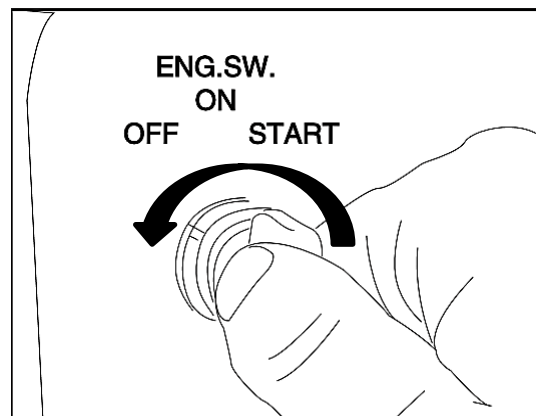
2- Переключить автоматический выключатель в положение «OFF».

3- Оставьте генератор примерно на три минуты на холостом ходу чтобы дать ему остыть.

4а) **Генератор ручного запуска:** переведите выключатель двигателя в положение "OFF".



4б) **Генератор электрического запуска:** Поверните ключ в положение "STOP".



6- Закрутите вентиль на баллоне для остановки подачи газа.

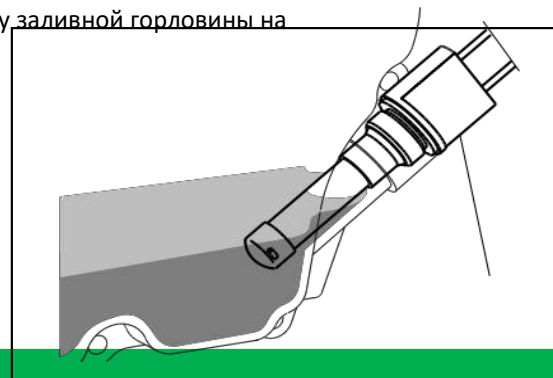
5.4 ДАТЧИК МАСЛА

1-Датчик масла определяет уровень масла в картере и автоматически останавливает двигатель, если его уровень ниже допустимого.

2-Когда двигатель остановился переключите аварийный выключатель и проверьте уровень масла. Залейте моторное масло до верхнего уровня, как показано во главе 7.1 и перезапустите двигатель.

3-Если двигатель не запускается обычными процедурами проверьте уровень масла.

ПРИМЕЧАНИЕ: Не снимайте датчик масла при заправке. Удалите крышку заливной горловины на противоположной стороне карбюратора.



6. ИНФОРМАЦИЯ ВАТТНОСТИ

Некоторое оборудование нуждается в пусковых токах при запуске. Это значит, что количество электрической мощности, необходимой для запуска прибора может превышать количество, необходимое для его работы.

Электротехника и инструменты, как правило, поставляется с этикеткой с указанием напряжением, циклов/Гц, сила тока (AMPS) и электрической мощностью, необходимую для запуска приборов или инструмента.

Уточните информацию по пусковым токам на вашем инструменте при подключению к генератору.

У электрических приборов, такие как лампы накаливания и нагревательные плиты имеют такие же пусковые токи, как и для поддержания работы. Приборы, такие как люминесцентные лампы, требуют от 1,2 до 2 раз энергии при запуске. Ртутные лампы от 2 до 3.

Электрически двигатели требуют большой пусковой ток. Эти требования зависят от типа двигателя и его применения. После того, как пусковые токи достигают нужной мощности, прибор потребляет лишь от 50 до 30% от потребляемой мощности для продолжения работы. Большинство электроинструментов требуют от 1.2 до 3 раз мощности больше под нагрузкой для работы. Например, 5 кВт генератор может содержать приборы от 1 до 4 кВт электроприборы.

Нагрузки для такого оборудования как погружные насосы и воздушные компрессоры требуют очень большое усилие, чтобы запуститься. Им нужно от 3 до 5 раз больше мощности от нормального рабочего состояние для запуска. Например, генератор в 5 кВт будет в состоянии запустить насос мощностью от 1 до 1,7 кВт.

Чтобы определить общую мощность, необходимую для запуска конкретного прибора или инструмента, необходимо умножить величину напряжению прибора на его же значение силы тока (AMPS).

РАБОЧИЕ УСЛОВИЯ

Генераторы могут быть вырабатывать номинальную мощность при нормальных условиях окружающей среды. При использовании в более высоких температурах, более высокой влажности, чем те, которые приведены в таблицы, производительность генератора может быть меньше. Стандартные условия такие:

Температура окружающей среды	25°C
Атмосферное давление	100 kPa
Относительная влажность	30%
Высота над уровнем моря	1000 м

Генератор может запускаться и работать при температуре от -10°C до 40°C

РАБОТА НА ВЫСОКОГОРЬЕ

Мощность будет уменьшаться примерно на 3,5% на каждые 300 метров увеличения высоты над уровнем моря. Эффект уменьшения мощности будет в зависимости от высоты будет больше, если карбюратор не настроен.

ТЕМПЕРАТУРА

Низкие температуры вызывают снижение давления газа в баллоне, что ухудшает характеристики генератора..







АТМОСФЕРНОЕ ДАВЛЕНИЕ

Низкое атмосферное давление влияет на плотность воздуха, следовательно, приведет к снижению эффективности сгорания. Что приведет к снижению производительности генератора.

7. ТЕХНИЧЕСКОЕ ОБСЛУЖИВАНИЕ

Техническое обслуживание, ремонт и замена системы контроля за выбросами и компонентов должна производиться квалифицированным и уполномоченным специалистом.

КАЖДОДНЕВНАЯ ПРОВЕРКА

-  Проверьте на лишнюю вибрацию и шум.
-  Проверьте уровень масла.
-  Проверьте рабочую зону генератора.
-  Проверьте элементы воздушного фильтра и очистите в случае необходимости.
-  Проверьте на отсутствие сломанных гаек и болтов.
-  Проверьте на отсутствие очевидных утечек масла.

ПЕРИОДИЧЕСКОЕ ОБСЛУЖИВАНИЕ

Периодическое техническое обслуживание имеет жизненно большое значение для безопасной и эффективной работы вашего генератора. График и интервалы проверки компонентов и расходных материалов представлен в таблице ниже.

Так же необходимо поддержание и периодическая проверка деталей, связанные со снижением выбросов веществ генератора, которые отвечают за работу генератора.

Система снижения токсичности отработанных газов состоит из частей:

- (1) Карбюратор Enerkit
- (2) Холодный старт, если это применимо
- (3) Впускного коллектора, если это применимо
- (4) Элементов воздушного фильтра
- (5) Свеча зажигания
- (6) Магнитная или электрическая система зажигания
- (7) Искра зажигания/тормозная система, если это применимо
- (8) Выпускной коллектор, если это применимо
- (9) Шланг, ремни, соединения, различные узлы

График технического обслуживания указан в таблице на основе нормальной работы генератора. В случае, если генератор будет работать в условиях повышенной запыленности или будет подвергаться более высокой нагрузке, интервалы технического обслуживания необходимо укоротить в зависимости от загрязнения масла, засорение фильтрующих элементов, износ деталей и так далее.

Пункты тех. обслуживания	Каждые 8 часов (ежедневно)	Каждые 20 часов	Каждые 50 часов (еженедельно)	Каждые 200 часов (еж.месяч)	Каждые 500 часов	Каждые 1000 часов
ЧИСТКА ГЕНЕРАТОРА И ПРОВЕРКА ГАЕК И БОЛТОВ	• (ежедневно)					
ПРОВЕРКА И ДОЛИВКА МАСЛА	•(пополнять до верхнего уровня ежеднев.)					
ЗАМЕНА МАСЛА ДВИГАТЕЛЯ (Примечание 1)		• (начальная)	•(каждые 100 часов)			
ОЧИСТКА СВЕЧИ ЗАЖИГАНИЯ			•			
ОЧИСТКА ВОЗДУШНОГО ФИЛЬТРА			•			
ЗАМЕНА ВОЗДУШНОГО ФИЛЬТРА				•		
ОЧИСТКА ТОПЛИВНОГО ФИЛЬТРА				•		
ЧИСТКА И РЕГУЛИРОВКА СВЕЧИ ЗАЖИГАНИЯ				•		
ЗАМЕНА СВЕЧИ ЗАЖИГАНИЯ					•	
ИСКРОГАСИТЕЛЬ			•(каждые 100 часов)			
УДАЛЕНИЕ ГАРИ С ГОЛОВКИ БЛОКА ЦИЛИНДРОВ (Прим. 2)					•	
ПРОВЕРКА И РЕГУЛИРОВКА КЛАПАННОГО ЗАЗОРА (Прим 2)					•	
ОЧИСТКА И РЕГУЛИРОВКА КАРБЮРАТОРА (Прим. 2)					•	
ОЧИСТКА И ЗАМЕНА УГОЛЬНЫХ ЩЕТОК						•

*Прим.: 1. Первая замена масла должна произвестись после 20 моточасов работы. После этого масло менять каждые 100 моточасов. Перед заменой масла найдите способ избавиться от старого. Не сливайте его в канализацию, на почву или дренажные оттоки.

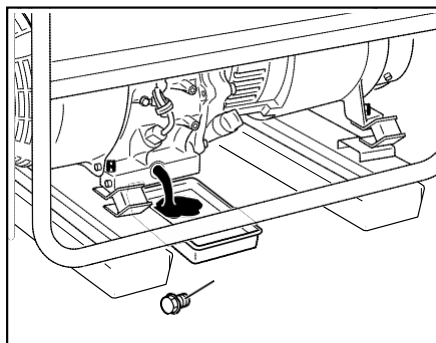
*Прим. 2. Должно быть сделано в сервисном центре, если вы не оснащены надлежащим рем. комплектом, обучены и достаточно квалифицированы.

7.2 ЗАМЕНА МОТОРНОГО ДЕЙСТВИЯ

Заменяйте масло каждые 100 часов (Для нового двигателя через 20 часов).

- 1- Слейте масло, удалив сливную пробку и крышку заливной горловины масла, пока двигатель теплый.
- 2- Установите на место пробку сливного отверстия и заполните двигатель маслом до верхнего уровня на крышке заливной горловины.

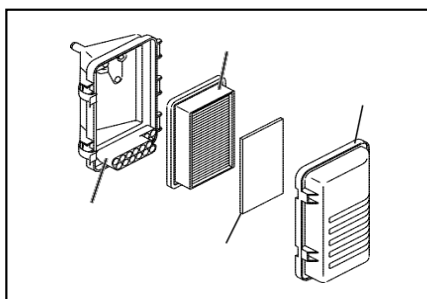
Используйте свежее и высококачественное моторное масло и залейте до указанного уровня, как указано во главе 4.1. В случае грязного или испорченного масла или залили не достаточного количества, то двигатель может подвергаться повреждению и его жизненный цикл может быть сокраще.



7.3 ЧИСТКА ВОЗДУШНОГО ФИЛЬТРА

ВНИМАНИЕ не мыть фильтром керосином, бензином или маслом.

Грязные элементы фильтра будут затруднять движения воздуха, что поведет за потерей мощности, неисправностей двигателя, а также сократить срок службы двигателя. Всегда воздушный фильтр держите в чистоте.



1. Уретановый пенопластовый элемент
Вымойте и высушите с моющим средством. После очистки высушите. Чистите эти элементы каждые 50 часов.
2. Бумажный элемент
Чистите путем осторожного нажатия, чтобы удалить грязь и пыль. Никогда не используйте масло для очистки. Бумажный элемент чистить каждые 50 моточасов работы и заменять через каждые 200 часов.

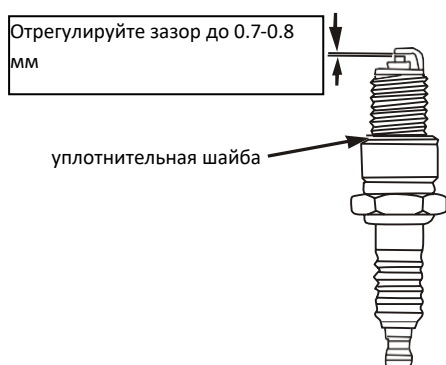
Чистите и заменяйте воздушный фильтр чаще, если работаете в пыльной среде.

7.4 ОЧИСТКА И РУГУЛИРОВКА СВЕЧИ ЗАЖИГАНИЯ

Если свеча загрязнена углеродом, то снимите его и очистите пылесосом или проволочной щеткой.

Проверьте зазор между электродами. Отрегулируйте зазор до 0.7-0.8 мм

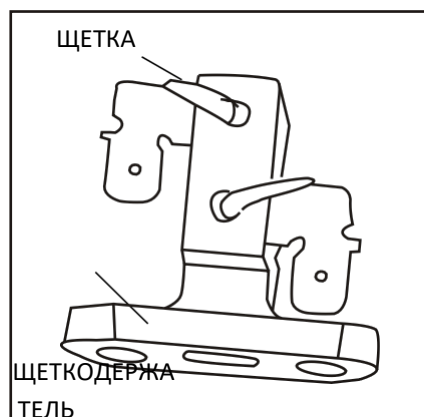
CAUTION: be sure to tighten the spark plug securely, otherwise it may become very hot and possibly damage the engine. Never use spark plug with improper heat range.



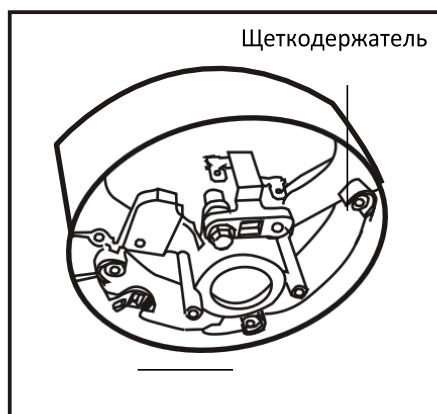
7.5 ПРОВЕРКА УГЛЕРОДНОЙ ЩЕТКИ

Если щетка сильно изнашивается, то ее контакт с кольцом может привести к дефектам кольца, в результате чего производительность может идти с перебоями. Проверяйте щетку каждые 500 часов или энергия будет не постоянная. Если длина щетки менее 5 мм, то необходимо заменить ее на новую.

- (a) Снимите крышку щетки.
- (b) Отсоедините разъем провода и снимите щетку.



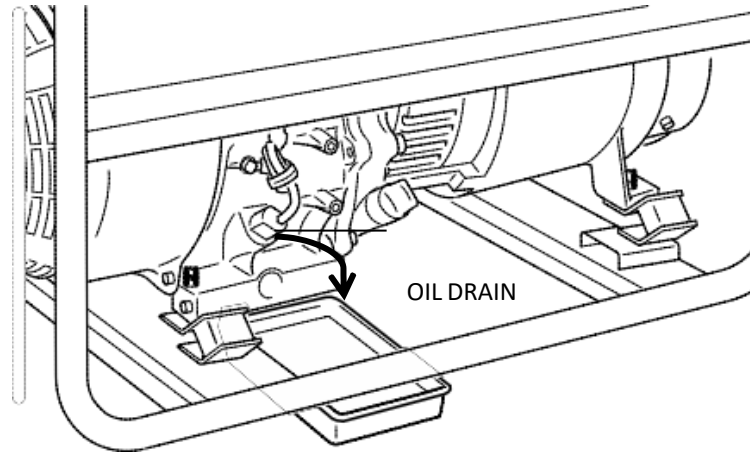
- (c) Аккуратно отметьте направление кисти и относительное положение с контактными кольцами при установке новой.



8. ХРАНЕНИЕ И ТРАНСПОРТИРОВКА

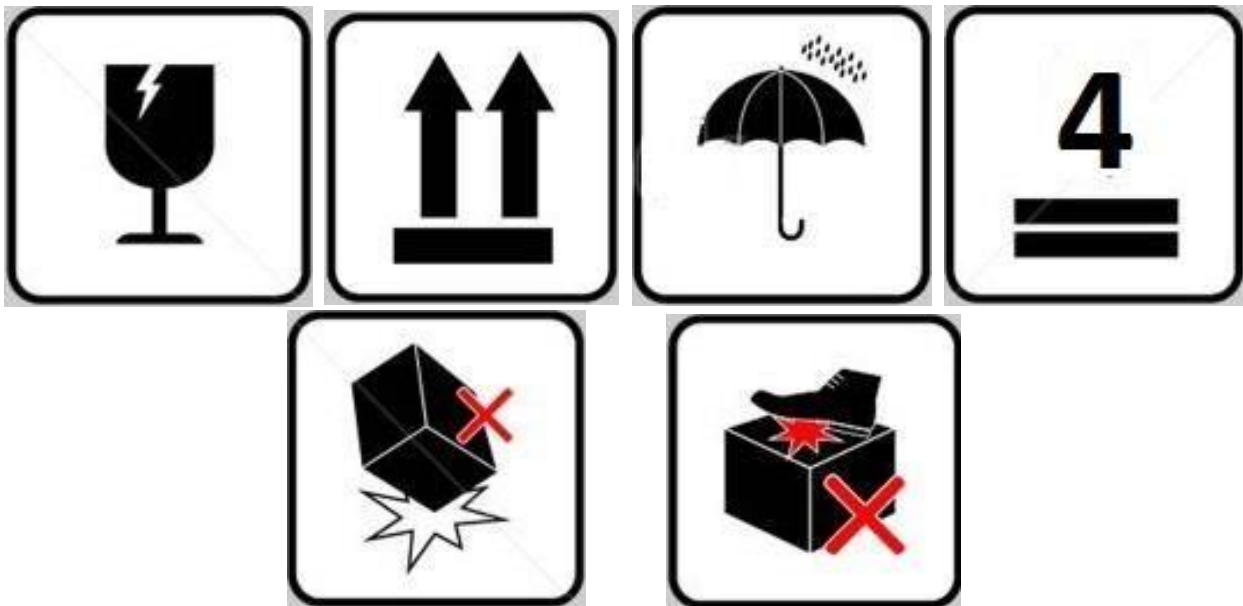
Следующие процедуры должны быть выполнены при хранении генератора от 6 месяцев и более:

- Отсоедините пропановый баллон.
- Дайте двигателю остыть. Снимите свечу зажигания и накапайте 10 капель высококачественного моторного масла в цилиндр.
- Отсоедините аккумулятор, используемый для электрического запуска, отсоединив сначала черный кабель, затем красный.
- Смените моторное масло.
- Проверьте ослабленные болты и гаек, затяните, если такие имеются.
- Протрите генератор промасленной тканью. Спрей с консервантами, если такой имеется. **НИКОГДА НЕ ИСПОЛЬЗУЙТЕ ВОДУ ДЛЯ ОЧИСТКИ ГЕНЕРАТОРА!**
- Тяните ручку стартера, пока осуществляется сопротивление, после чего оставьте ее в таком положении.
- Храните генератор в сухом, хорошо вентилируемом месте.



Генератор поставляется в оригинальной упаковке..

Никогда не переворачивайте его вверх ногами.



9. ПОИСК И ИСПРАВЛЕНИЕ НЕИСПРАВНОСТЕЙ

Если генератор не запускается после нескольких попыток или нет напряжения в розетке, то проверьте все по следующей таблице. Если после этого неполадки не исправлены, то обратитесь к ближайшему дилеру для получения информации или сдачи его в сервисный центр.

Если двигатель не запускается:

Проверьте, возможно выключатель в положении «OFF»	Переключите в положение «ON».
Убедитесь, что генератор не подключен к устройству	Если подключен, то выкл. инструмент и отсоедините от генератора
Проверьте чистый ли воздушный насос	Прочистите в противном случае
Проверьте колпачок свечи зажигания	Если не плотно сидит, то присоедините плотнее
Проблемы с карбюратором ENERKIT	Нажмите кнопку подсоса
Проверьте свечу зажигания на наличие загрязнения	Отсоедините свечу и прочистите ее.
Возможно пустой подключаемый баллон	Смените баллон

Когда в розетке нет электричества:

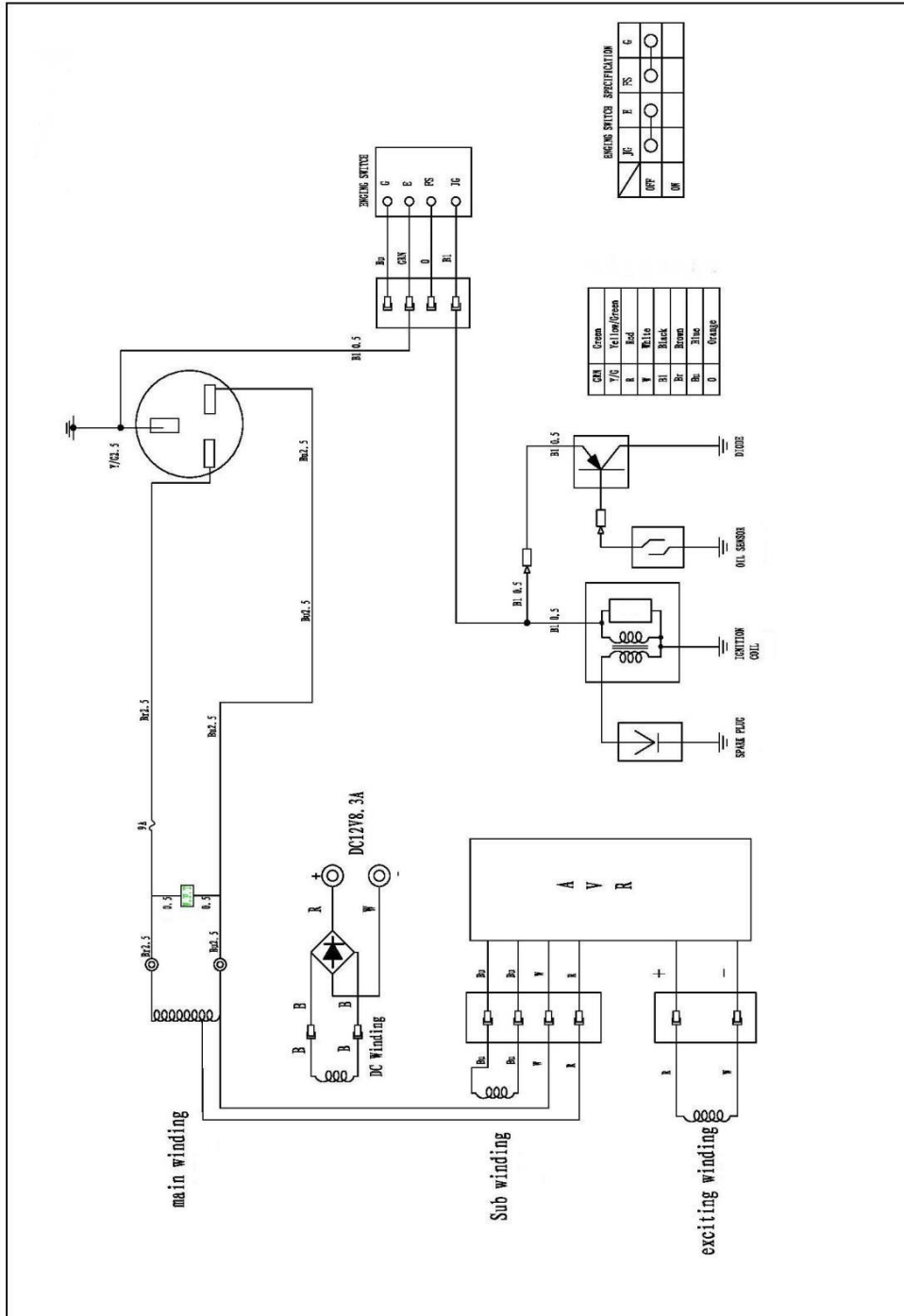
Проверьте, что аварийный выключатель находится в положении «ON»	Убедитесь, что общая мощность подключаемого прибора находится в допустимом пределе для Вашего генератора. Если выключатель все равно переключается, то обратитесь к дилеру.
Проверьте клеммы переменного и постоянного тока на не полное соединение	Secure connection if necessary.
Проследите, чтобы генератор не запускался с уже подключенным устройством	Выключите прибор и отсоедините кабель от розетки. И запустите генератор снова, с правильным подключением
Малая мощность	Углеродные щетки чрезмерно изношены

Наблюдая иней на баллоне или регуляторе нормальное явление при работе и не является признаком проблемы. Когда СУГ испаряется и перемещается из баллона в двигатель он расширяется. Количество инея зависит от размера баллона, качества используемого топлива, влажность воздуха и других эксплуатационных условий. В некоторых ситуациях это может ограничивать подачу газа в генератор, что приведет к потери производительности. При снижении температуры до очень низкого уровня, то скорость испарения газа уменьшается что ведет у уменьшенной подачи в генератор. Это не является признаком проблемы с генератором, только проблема с подачей газа. Образование льда может наблюдаться на баллоне, регуляторе, шланге. Есть некоторые манипуляции, которые могут быть предприняты, чтобы это исправить. В некоторых случаях это может исправить проблемы с испарением газа и производительность газа. Это можно исправить выполнив один из следующих пунктов:

- Заменить баллон и подождать пока предыдущий отогреется, повторяя по мере необходимости.
- Разместить баллон в конце генератора, возле ручки, где вентилятор двигателя выпускает теплый воздух. Этот воздух слегка нагревается, проходящий через двигатель. Баллон нельзя размещать на пути выпускного отверстия глушителя.

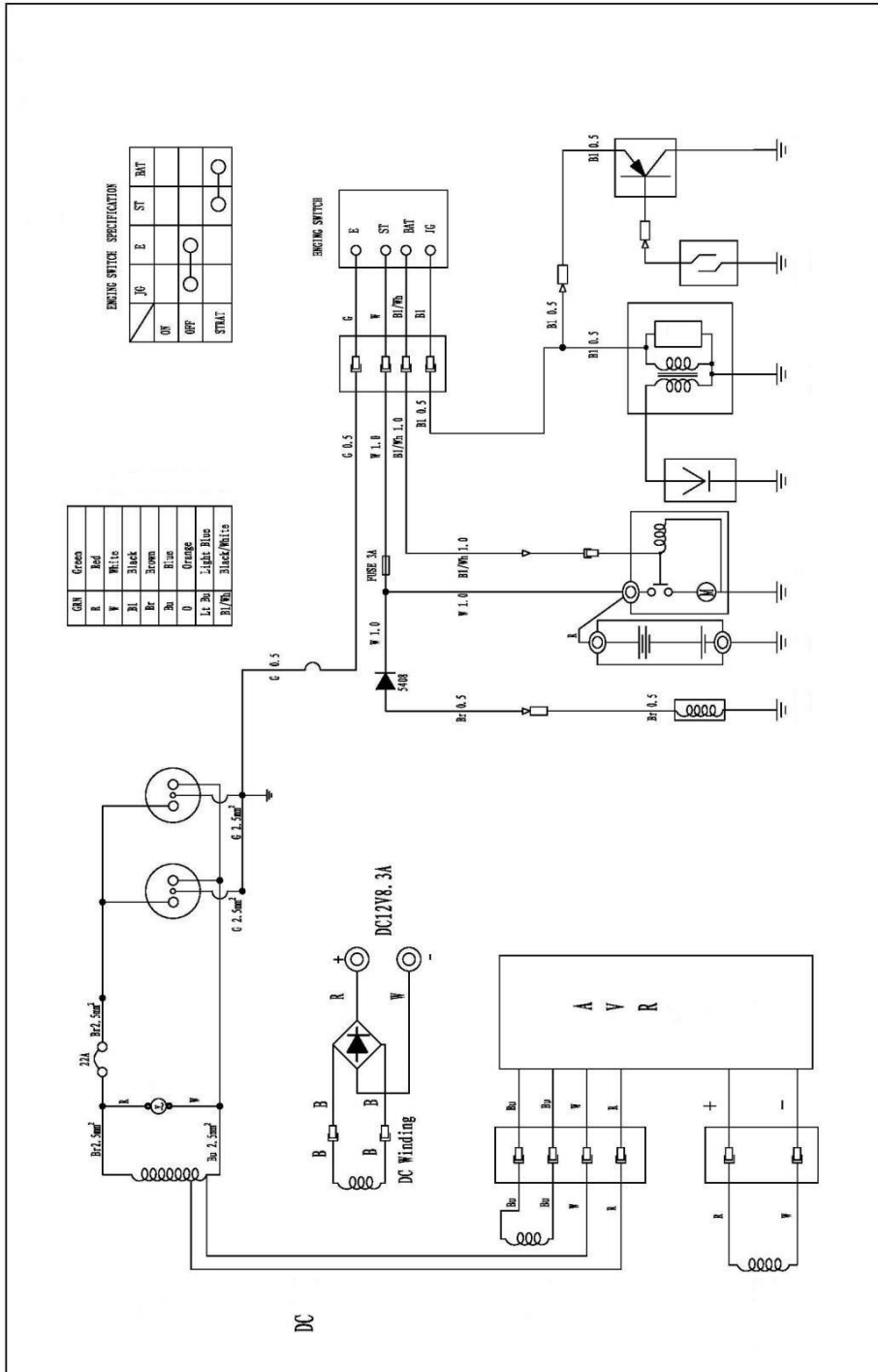
10. ЦИФРОВАЯ СХЕМА

Модели генераторов: GE2000, GE-3000, GE-5000, GE-6000, GE-7000.





Модели генераторов: GE-6000T, GE-7000T



11. ПАДЕНИЕ НАПРЯЖЕНИЕ ЧЕРЕЗ УДЛИНИТЕЛЬ

Если используется длинный удлинитель для подключения приборов к генератору, то может происходить потеря энергии происходят в удлинителе, который уменьшает эффективное напряжение, допустимое для прибора или инструмента.

В приведенной таблице указаны приблизительные потери напряжения при использовании удлинителя около 100 метров используемый при подключении прибора к генератору.

Поперечное сечение	A.W.G.	Допустимый ток	Кол-во нитей	Сопротивление	Сила тока в Ампер						
					1A	3A	5A	8A	10A	12A	15A
мм ²	Кол-во	A	№./мм	/100m							
0.75	18	7	30/0.18	2.477	2.5V	8V	12.5V				
1.27	16	12	50/0.16	1.486	1.5V	5V	7.5V	12V	15V	18V	
2.0	14	17	37/0.26	0.952	1V	3V	5V	8V	10V	12V	15V
3.5	12 до 10	23	45/0.32	0.517		1.5V	2.5V	4V	5V	6.5V	7.5V
5.5	10 до 8	35	70/0.32	0.332		1V	2V	2.5V	3.5V	4V	5V



Legal Warranty - Registration

**The Legal Warranty of the product is available at:
www.greengearglobal.com**

The aforesaid Legal Warranty is upheld by the dealer from which you purchased the product (by showing the proof of purchase)

**To activate the warranty, fill in the registration form online at
www.greengearglobal.com/productregistration**





EC DECLARATION OF CONFORMITY



For the following machinery:

Product name: LPG/Propane powered generator
 Commercial name: N/A
 Function: Low power generator set
 Type: LPG/Propane
 Model No.: GE-2000M,GE-2000,GE-3000M,GE-3000,GE-3000MUK,GE-3000UK,GE-5000M,GE-5000,GE-5000MUK,GE-5000UK,GE-6000M,GE-6000,GE-6000MUK,GE-6000UK,GE-6000TM,GE-6000T,GE-7000M,GE-7000,GE-7000MUK,GE-7000UK,GE-7000TM,GE-7000T.

is herewith confirmed to fulfill all the relevant provisions of Machinery Directive (2006/42/EC) and comply with Low-Voltage Directive (2006/95/EC) and Electromagnetic Compatibility Directive (2004/108/EC) and Noise Emission Directive by equipment for use outdoors (2000/14/EC + 2005/88/EC)

and the following harmonized standard have been complied with:

- EN 12601:2010;
- EN 61000-6-2:2005;
- EN 61000-6-4:2007;

Responsible for marking this declaration is the:

Manufacturer x	Authorized representative established within the EU
Manufacturer's Name	: GREENGEAR GLOBAL SRL
Manufacturer's Address	: VIALE DUCA DEGLI ABRUZZI 163, BRESCIA, ITALY
Authorized Rep's Name	: -
Authorized Rep's Address	: -

Person responsible for compiling the technical files established within the EU

Name, Surname	: ANDREA FOGLIETTI
Address	: VIALE DUCA DEGLI ABRUZZI 163, BRESCIA, ITALY

Person responsible for making this declaration

Name, Surname	: ANDREA FOGLIETTI
Position/Title	: Managing Director

GREENGEAR GLOBAL SRL
 Via Duca Degli Abruzzi n° 163
 25124 BRESCIA
 C.F. e Part. I.V.A. 01607780906

Brescia, Italy	March 10, 2017
-----------------------	-----------------------

(Place)

(Date)

(Company stamp and legal signature)

OPERATING AND MAINTENANCE ORIGINAL INSTRUCTIONS



Greengear Global Srl
www.greengearglobal.com

mail:service@greengearglobal.com
[@greengear_](https://www.facebook.com/greengear.co)

Website:

Customer service
Viale Duca degli Abruzzi 163
Brescia, Italy



STRØMGENERATORER TIL F-GAS

DRIFTS- OG VEDLIGEHOLDELSES VEJLEDNING

Greengear strømgeneratorer Modeller: GE-2000M, GE2000, GE3000M, GE-3000, GE-3000MUK, GE-3000UK, GE5000M, GE5000, GE-5000UK, GE-5000MUK, GE-6000M, GE6000, GE-6000UK, GE-6000MUK, GE-6000TM, GE-6000T, GE-7000M, GE-7000, GE-7000MUK, GE-7000UK, GE-7000TM, GE-7000T.





Tak fordi du har købt en LPG-dreven generator fra Greengear Global.

Denne betjeningsvejledning indeholder information om, hvordan du får det bedste ud af din nye generator og betjener den sikkert. Læs vejledningen omhyggeligt.

Vejledningen beskriver, hvordan du betjener og vedligeholder din LPG-drevne generator fra Greengear Global serien. Informationerne i denne vejledning er baseret på den nyeste produktinformation, som var tilgængelig på udgivelsestidspunktet.

Greengear Global Srl. forbeholder sig efterfølgende ret til uden ansvarspådragelse, på et hvilket som helst tidspunkt, at lave ændringer på produktet.

Vejledning må ikke genoptrykkes uden forudgående skriftlig tilladelse. Denne vejledning skal betragtes som en permanent del af generatoren og bør opbevares sammen med denne.

Med LPG som brændstof til din generator er du med til at reducere udledningen af miljøgifte og CO₂ i forhold til benzin og diesel.

Vi håber, at du får glæde af din nye generator.

Med venlig hilsen,

Greengear Global Srl.

INDHOLD

1. SIKKERHEDSFORANSTALTNINGER	181
2. BESKRIVELSE	186
3. SPECIFIKATIONER	187
4. KONTROLLER FORUD FOR DRIFT	191
5. DRIFTSPROCEDURER	198
6. OPLYSNINGER OM WATTFORBRUG	204
7. VEDLIGEHOLDELSE.....	206
8. OPBEVARING OG TRANSPORT	212
9. FEJLFINDING.....	214
10. STRØMSKEMA.....	216
11. SPÆNDINGSFALD I ELEKTRISKE FORLÆNGERLEDNINGER	218

23. SIKKERHEDSFORANSTALTNINGER

Ved brug af udstyr til F-gas (herefter kaldet "udstyr") skal de grundlæggende sikkerhedsforanstaltninger, inklusive nedenstående foranstaltninger, altid følges for at reducere risikoen for alvorlige personskader og/eller beskadigelse af udstyr eller ejendom. Læs hele denne vejledning inden brug af produktet, og opbevar vejledningen til fremtidig brug. Nedenstående foranstaltninger er vigtige for din sikkerhed, men listen er ikke udtømmende. Brug altid udstyret på en hensigtsmæssig og ansvarlig måde, og vær opmærksom på, at brugeren bærer ansvaret for ulykker, der inkluderer tredjepart eller tredjeparts ejendom.

ALLE SYMBOLERNE NEDENFOR ER MARKERET PÅ PRODUKTET



Læs betjeningsvejledningen.



Forsigtig: Varm motor.



Giftdampe. Må ikke bruges i et lukket rum.



Stop altid motoren, og lad den køle af, inden udskiftning af gasflasken.



Generatoren skal være korrekt jordledt.



Må ikke bruges i våde omgivelser.



For at undgå tilbagekobling i hjælpesystemer er det nødvendigt at isolere elektriske systemer i boligen.



ADVARSEL:

Denne maskine producerer et elektromagnetisk felt under driften. Dette felt kan under visse omstændigheder forstyrre aktive eller passive medicinske implantater. For at mindske risikoen for alvorlige eller dødelige kvæstelser anbefaler vi, at personer med medicinske implantater kontakter deres læge og producenten af det medicinske implantat inden betjening af denne maskine.

Forberedelse

- ⚠ Hvis du er træt, syg eller under påvirkning af alkohol, stoffer eller lægemidler bør du ikke betjene udstyret.
- ⚠ Læs vejledningen grundigt. Sørg for at gøre dig fortrolig med knapperne og den korrekte brug af udstyret.
- ⚠ Lad aldrig børn eller personer, der ikke er fortrolige med denne vejledning, anvende udstyret.

Der kan gælde lokale regler for, hvor gammel man skal være for at betjene udstyret.

- ⚠ Vær opmærksom på, at det er operatøren eller brugeren, der er ansvarlig for ulykker eller faresituationer, der måtte opstå i forhold til andre personer eller ejendom.
- ⚠ Udstyret, inklusive tilbehør, må kun overlades eller lånes ud til personer, som er fortrolige med modellen og ved, hvordan den skal betjenes. Betjeningsmanualen og den originale vejledning er dele af maskinen og skal altid følge med, når maskinen lånes ud.

Klargøring

- ⚠ Fjern plastikposer og emballage før brug, og anbring dette uden for børns rækkevidde.
- ⚠ Gennemgå udstyret inden brug. Giv besked om manglende komponenter, og udskift ødelagte dele. Undlad at bruge enheden med løse eller ødelagte dele.

Betjening

- ⚠ Udstyret må kun bruges til det tiltænkte formål. Det er ikke tilladt at bruge udstyret til andre formål, og dette kan være farligt for personer eller føre til beskadigelse af maskinen.
- ⚠ Undlad at bruge motoren i et lukket lokale, hvor der kan samle sig farlige kulilte-dampe
- ⚠ Undlad at ændre indstillingen af motorregulatoren eller at øge hastigheden på motoren for meget
- ⚠ Start motoren omhyggeligt iht. anvisninger
- ⚠ Undlad at vippe udstyret, når motoren startes
- ⚠ Undlad at berøre ledningerne, mens motoren kører. Elektriske stød kan give kvæstelser.

Vedligeholdelse og opbevaring

- ⚠ Sørg for, at alle møtrikker, bolte og skruer er spændte, så du er sikker på, at det er sikkert at arbejde med udstyret.
- ⚠ Opbevar aldrig flasker med F-gas inde i en bygning, hvor gasser kan komme i forbindelse med en flamme eller gnist, og udsæt det aldrig for direkte sollys. Må ikke opbevares ved temperaturer over 49 °C (120 °F).
- ⚠ Udstødning indeholder giftige kuliltegasser, der kan samle sig til farlige niveauer i lukkede områder. Indånding af kulilte kan medføre bevidstløshed eller død.
- ⚠ Lad motoren køle af inden opbevaring af udstyret indkapslet: varme dele kan medføre alvorlige forbrændinger.
- ⚠ Udskift slidte eller ødelagte dele af hensyn til sikkerheden;
- ⚠ Hold altid advarsels- og informationsmærkater rene og læsbare.



ADVARSEL

Udskift gasflasken på et sted med god udluftning og med slukket motor.

GREENGEAR GLOBAL SRL påtager sig intet ansvar for tings- eller personskader, der skyldes manglende overholdelse af de anvisninger, der fremgår af betjeningsmanualen, navnlig med hensyn til sikkerhed, betjening og vedligeholdelse, eller som måtte opstå pga. af uautoriserede tilføjelser eller reservedele. Skader, der skyldes manglende overholdelse af sikkerheds-, betjenings- og vedligeholdelses-anvisninger, hører under brugerens fulde ansvar.

GREENGEAR GLOBAL SRL forbeholder sig endvidere retten til at ændre beskrivelsen i denne manual når som helst og uden forudgående varsel. Gengivelse, overførsel eller oversættelse til et andet sprog, delvist og i en hvilken som helst form, af denne manual er forbudt uden forudgående skriftlig tilladelse fra GREENGEAR GLOBAL LTD.



ADVARSEL Læs denne manual grundigt.



ADVARSEL Undlad at betjene generatoren i nærheden af lagret brændstof.



ADVARSEL F-gas er yderst brandbart, og dampe herfra kan eksplodere ved antændelse.



ADVARSEL Undlad at ryge eller bruge åben ild i nærheden af arbejdsområdet.



ADVARSEL Stop altid maskinen, og lad den køle af inden udskiftning af gasflasken.



ADVARSEL Undlad at placere brandbart materiale i nærheden af generatoren.



ADVARSEL

Undlad at betjene generatoren i et lukket rum eller område uden tilstrækkelig udluftning. Brug altid udstyret på et sted med god udluftning, ellers kan motoren blive overophedet, og den farlige kulilte, der findes i udstødningsgasserne, vil udgøre en fare for menneskeliv. Hold generatoren på mindst 1 meters afstand (3 fod) i forhold til bygninger under brugen. Hvis generatoren skal bruges indendørs, skal der være en god udluftning på det respektive sted, og man skal være ekstremt omhyggelig med at få bortledt udstødningsgasser.



ADVARSEL

Undlad at indkapsle generatoren eller at dække den med en kasse. Generatoren har et integreret tvunget luftkølingssystem og bliver overophedet, hvis den indkapsles.



ADVARSEL

Brug generatoren på en plan overflade. Det er ikke nødvendigt at lave et særligt underlag til generatoren. Generatoren vil dog vibrere, hvis underlaget er ujævnt, så vælg et plant område, hvor der ikke er ujævnheder i overfladen. Hvis generatoren vippe eller flyttes under driften, kan generatoren ske at vælte, hvilket kan skabe en farlig situation. Det kan ikke forventes, at generatorens smøres korrekt, hvis den anvendes på en stejl hældning eller skråning. I så fald kan stemplerne køre fast, selv om olien ligger over det øverste niveau.



ADVARSEL

Hold øje med ledninger eller forlængerledninger fra generatoren til den forbundne enhed. Hvis ledningen er under generatoren eller er i kontakt med en vibrerende del, kan den gå i stykker og eventuelt forårsage brand, kortslutte generatoren eller forårsage fare for elektrisk stød. Udskift ødelagte eller slidte ledninger med det samme.

**ADVARSEL**

Hvis udstyret er vådt, skal det tørres af og være helt tørt inden start. Hæld ikke vand direkte på generatoren, og undlad at vaske den med vand.

**ADVARSEL**

Må ikke betjenes i regn eller under våde eller fugtige forhold eller med våde hænder. Operatøren kan blive ramt af alvorlige elektriske stød, hvis generatoren er våd.

**ADVARSEL**

Vær ekstremt omhyggelig med altid at overholde alle procedurer vedrørende den nødvendige elektriske jording, når generatoren er i brug. Det kan være livsfarligt at udelade dette.

**ADVARSEL**

Undlad at slutte generatoren til et kommercielt strømforsyningsnet. Tilslutning til et kommerciel strømforsyningsnet kan få generatoren til at kortslutte og ødelægge den eller forårsage fare for elektrisk stød. Brug omstillingskontakten ved tilslutning til et husholdningskredsløb.

**ADVARSEL**

Undlad at ryge under håndtering af batteriet. Batteriet udsender brandbar hydrogengas, som kan eksplodere, hvis den udsættes for elektrisk gnistdannelse eller åben ild. Sørg for, at der er en god udluftning på stedet, og hold åben ild/gnister på afstand ved håndtering af batteriet.

**ADVARSEL**

Motoren bliver ekstremt varm under brugen og er det i et vist tidsrum efter brugen. Hold brandbare materialer på afstand af generatorområdet. Sørg for ikke at berøre dele af den varme motor, især ikke ved lyd-dæmperen, da dette kan give alvorlige forbrændinger. Hold børn og omkringstående på sikker afstand af arbejdsområder.

**ADVARSEL**

Det er yderst vigtigt, at du ved, hvordan det respektive maskinværktøj eller elektriske apparat bruges sikkert og korrekt. Alle operatører skal læse, forstå og overholde den manual, der gælder for værktøjet/apparatet. Det er vigtigt, at operatøren forstår, hvordan værktøjet/apparatet bruges, og gældende begrænsninger. Følg alle anvisninger på mærkater og advarsler. Opbevar alle manualer og læsemateriale på et sikkert sted til fremtidig brug.

**ADVARSEL**

Slå altid generatorens relæ fra, og kobl værktøjer og apparater fra, når de ikke er i brug, før service, tilpasning eller montering af tilbehør og andre anordninger.

**ADVARSEL**

Brug udelukkende godkendte forlængerledninger. Hvis et værktøj eller apparat bruges udendørs, må der udelukkende bruges forlængerledninger, hvor det er angivet, at de er til udendørs brug.

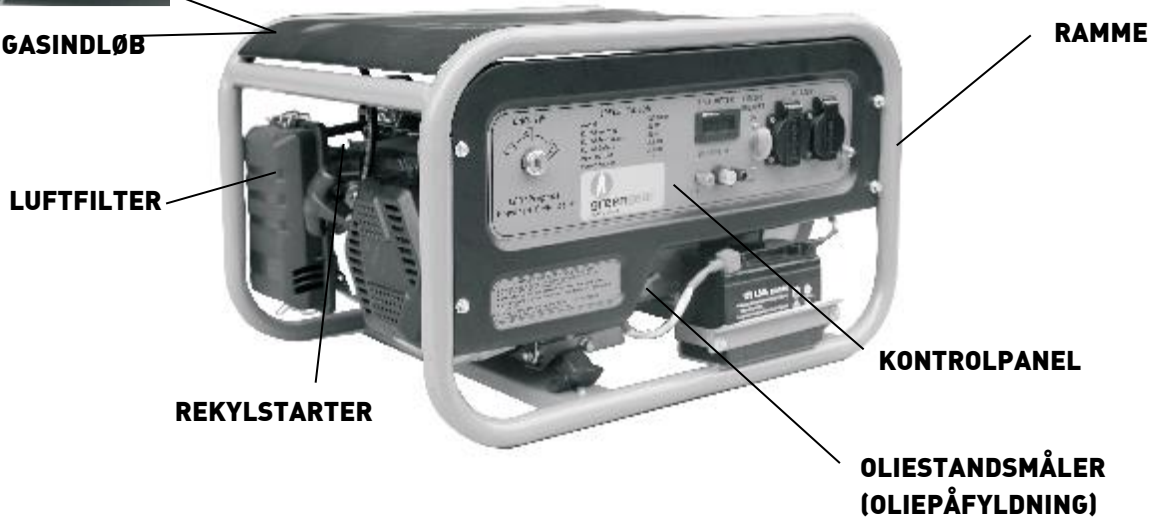
24. BESKRIVELSE

GE-2000M, GE-2000, GE-3000M, GE-3000, GE-3000MUK, GE-3000UK

De udgange, der vises på billedet nedenfor, er kun vejledende. Se yderligere produktdetaljer på siden nedenfor.



GASINDLØB



LUFTFILTER

REKYLSTARTER

KONTROLPANEL

OLIESTANDSMÅLER
(OLIEPÅFYLDNING)

GE-5000M, GE-5000, GE-5000UK, GE-5000MUK, GE-6000M, GE-6000, GE-6000UK, GE-6000MUK, GE-6000TM, GE-6000T, GE-7000M, GE-7000, GE-7000MUK, GE-7000UK, GE-7000TM, GE-7000T

De udgange, der vises på billedet nedenfor, er kun vejledende. Se yderligere produktdetaljer på siden nedenfor.



GASINDLØB



LUFTFILTER

REKYLST

RAMME

HÅNDTAG

KONTROLPANEL

LIESTANDSMÅLER
(OLIEPÅFYLDNING)

25. SPECIFIKATIONER

Generatormodel	GE-2000M	GE-2000	GE-3000M	GE-3000	GE-3000MUK	GE-3000UK
Motormodel	GG3GN	GGN3GN	GG3GN	GG3GN	GG3GN	GG3GN
Motortype	OHV, 25° tilt, enkeltcylindret, tvungen luftkøling, 4-takt					
Boring x slaglængde (mm)	68 x 54	68 x 54	68 x 54	68 x 54	68 x 54	68 x 54
Slagvolumen (cm ³)	212	212	212	212	212	212
Tændingstype	T.C.I.					
Komprimeringsforhold	8,5:1	8,5:1	8,5:1	8,5:1	8,5:1	8,5:1
Brændstoftype	F-gas	F-gas	F-gas	F-gas	F-gas	F-gas
Startsystem	Rekylstart	Elstart	Rekylstart	Elstart	Rekylstart	Elstart
F-gas-teknologi	ENERKIT BASIC					
Trykområde for tilførsel af gas	1,0-2,5 BAR					
Forbrug*(g/kWh)	↑523	↑523	↑441	↑441	↑441	↑441
Spænding (V)	230	230	230	230	230	110/230
Maks. effekt (KW)	2,2 (3 HK)	2,2 (3 HK)	3,1 (3,8 HK)	3,1 (3,8 HK)	3,1 (3,8 HK)	3,1 (3,8 HK)
Nominel effekt (KW)	2,0 (2,7 HK)	2,0 (2,7 HK)	2,8 (3,4 HK)	2,8 (3,4 HK)	2,8 (3,4 HK)	2,8 (3,4 HK)
Nominel strøm (A)	9	9	11,5	11,5	11,5	11,5
Nominel frekvens (Hz)	50 Hz	50 Hz	50 Hz	50 Hz	50 Hz	50 Hz
Effektfaktor (cos-φ)	1,0	1,0	1,0	1,0	1,0	1,0
Oliemængde (l)	0,6 (0,16 gallon)	0,6 (0,16 gallon)	0,6 (0,16 gallon)	0,6 (0,16 gallon)	0,6 (0,16 gallon)	0,6 (0,16 gallon)
Kontinuerlig driftstid	Afhænger af typen af og størrelsen på gasflasken.					
Nettovægt (kg/pund)	43,5/96	43,5/96	49/108	49/108	49/108	49/108
Pakkemål (LxBxH) (mm)	605x445x420 23,8"x17,5"x16,5"					

*Afhænger af brændstoffets kvalitet (flydende gas, propan, butan osv.)

Generatormodel	GE-5000M	GE-5000	GE-5000MUK	GE-5000UK	GE-6000M	GE-6000
Motormodel	GG4GN	GGN4GN	GG4GN	GG4GN	GG5GN	GG5GN
Motortype	OHV, 25° tilt, enkeltcylindret, tvungen luftkøling, 4-takt					
Boring x slaglængde (mm)	88x64	88x64	88x64	88x64	90x66	90x66
Slagvolumen (cm³)	389	389	389	389	420	420
Tændingstype	T.C.I					
Komprimeringsforhold	8,5:1	8,5:1	8,5:1	8,5:1	8,5:1	8,5:1
Brændstoftype	F-gas	F-gas	F-gas	F-gas	F-gas	F-gas
Startsystem	Rekylstart	Elstart	Rekylstart	Elstart	Rekylstart	Elstart
F-gas-teknologi	ENERKIT BASIC					
Trykområde for tilførsel af gas	1,0-2,5 BAR					
Forbrug*(g/kWh)	↑398	↑398	↑398	↑398	↑235	↑235
Strøm (V)	230	230	115/230	115/230	230	230
Maks. effekt (KW)	5,5 (7,4 HK)	5,5 (7,4 HK)	5,5 (7,4 HK)	5,5 (7,4 HK)	6,5 (8,7 HK)	6,5 (8,7 HK)
Nominel effekt (KW)	5 (6,7 HK)	5 (6,7 HK)	5 (6,7 HK)	5 (6,7 HK)	6,0 (8 HK)	6,0 (8 HK)
Nominel strøm (A)	21,7	21,7	21,7	21,7	26	26
Nominel frekvens (Hz)	50	50	50	50	50	50
Effektfaktor (cos-φ)	1,0	1,0	1,0	1,0	1,0	1,0
Oliemængde (l)	1,1	1,1	1,1	1,1	1,1	1,1
Kontinuerlig driftstid	Afhænger af type og størrelse af gasflaske.					
Nettovægt (kg/pund)	93/205	93/205	93/205	93/205	93/205	93/205
Pakkemål (LxBxH) (mm)	700x570x500	700x530x500	700x570x500			700x530x500
	27,5"x21,3"x19,6"	27,5"x20,8"x22,4"	27,5"x21,3"x19,6"			27,5"x20,8"x22,4"

*Afhænger af brændstoffets kvalitet (flydende gas, propan, butan osv.)

Generatormodel	GE-6000MUK	GE-6000UK	GE-6000TM	GE-6000T	GE-7000M	GE-7000
Motormodel	GG5GN	GG5GN	GG5GN	GG5GN	GG6GN	GG6GN
Motortype	OHV, 25° tilt, enkeltcylindret, tvungen luftkøling, 4-takt					
Boring x slaglængde (mm)	90x66	90x66	90x66	90x66	92x67	92x67
Slagvolumen (cm ³)	420	420	420	420	445	445
Tændingstype	T.C.I					
Komprimeringsforhold	8,5:1	8,5:1	8,5:1	8,5:1	9,0:1	9,0:1
Brændstoftype	F-gas	F-gas	F-gas	F-gas	F-gas	F-gas
Startsystem	Rekylstart	Elstart	Rekylstart	Elstart	Rekylstart	Elstart
F-gas-teknologi	ENERKIT BASIC					
Trykomsråde for tilførsel af F-gas	1,0-2,5 BAR					
Forbrug*(g/kWh)	↑523	↑523	↑441	↑398	↑235	↑318
Spænding (V)	115/230	115/230	230/400	230/400	230	230
Maks. effekt (KW)	6,5 (8,7 HK)	6,5 (8,7 HK)	6,5 (8,7 HK)	6,5 (8,7 HK)	7,5 (9,8 HK)	7,5 (9,8 HK)
Nominel effekt (KW)	6,0 (8 HK)	6,0 (8 HK)	6,0 (8 HK)	6,0 (8 HK)	7,0 (9,1 HK)	7,0 (9,1 HK)
Nominel strøm (A)	26	26	26	26	30	30
Nominel frekvens (Hz)	50	50	50	50	50	50
Effektfaktor (cos-φ)	1,0	1,0	1,0	1,0	1,0	1,0
Oliemængde (l)	1,1	1,1	1,1	1,1	1,1	1,1
Kontinuerlig driftstid	Afhænger af type og størrelse af gasflaske					
Nettovægt (kg/pund)	95/209	95/209	95/209	95/209	95/209	95/209
Pakkemål (LxBxH) (mm)	700x570x500 27,5"x21,3"x19,6"					700x530x500 27,5"x20,8"x19,6"

*Afhænger af brændstoffets kvalitet (flydende gas, propan, butan osv.)

Generatormodel	GE-7000MUK	GE-7000UK	GE-7000TM	GE-7000T
Motormodel	GG6GN	GG6GN	GG6GN	GG6GN
Motortype	OHV, 25° tilt, enkeltcylindret, tvungen luftkøling, 4-takt			
Boring x slaglængde (mm)	92x66	92x66	92x66	92x66
Slagvolumen (cm³)	420	420	420	420
Tændingstype	T.C.I			
Komprimerings- forhold	9,0:1	9,0:1	9,0:1	9,0:1
Brændstoftype	F-gas	F-gas	F-gas	F-gas
Startsystem	Rekylstart	Elstart	Rekylstart	Elstart
F-gas-teknologi	ENERKIT BASIC			
Trykomsråde for tilførsel af flydende gas	1,0-2,5 BAR			
Forbrug*(g/kWh)	↑318	↑318	↑318	↑318
Spænding (V)	110/230	110/230	230/410	230/410
Maks. effekt (KW)	7,5 (9,8 HK)	7,5 (9,8 HK)	7,5 (9,8 HK)	7,5 (9,8 HK)
Nominel effekt (KW)	7,0 (9,1 HK)	7,0 (9,1 HK)	7,0 (9,1 HK)	7,0 (9,1 HK)
Nominel strøm (A)	30	30	30	30
Nominel frekvens (Hz)	50	50	50	50
Effektfaktor (cos-φ)	1,0	1,0	1,0	1,0
Oliemængde (l)	1,1 (0,3 gallon)	1,1 (0,3 gallon)	1,1 (0,3 gallon)	1,1 (0,3 gallon)
Kontinuerlig driftstid	Afhænger af type og størrelse af gasflaske.			
Nettovægt (kg/pund)	96/211	96/211	96/211	96/211
Pakkemål (LxBxH) (mm)	700x570x500 27,5"x21,3"x19,6"			

*Afhænger af brændstoffets kvalitet (flydende gas, propan, butan osv.)

Standardreferenceforhold:

BEMÆRK: Generatorsæt må kun belastes op til deres nominelle effekt ved de angivne omgivende forhold. Hvis effekten reduceres, skyldes det sandsynligvis brug ved højere temperaturer, højder eller fugtighed end dem, der fremgår af referenceforholdene. Generatorsættet kan starte og drives ved omgivende temperaturer på mellem -5 °C og 40 °C, og de standardmæssige referenceforhold er følgende:

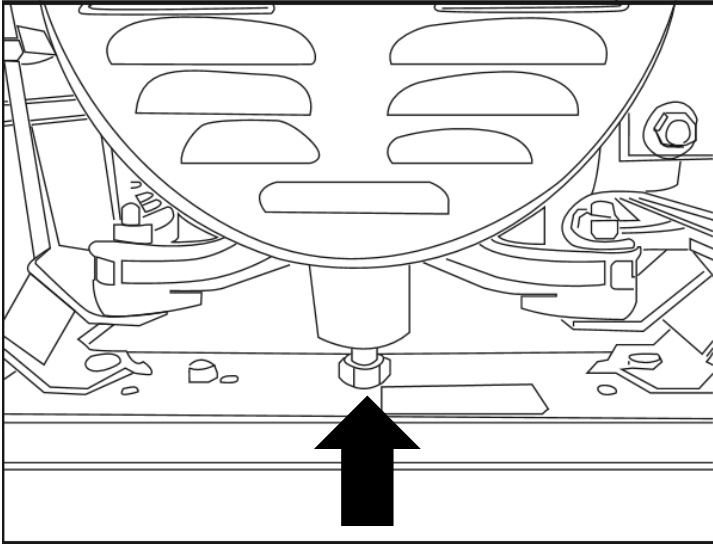
Omgivende lufttemperatur	25 °C
Omgivende lufttryk	100 kPa
Relativ luftfugtighed	30 %
Højde	Mindre end 1000 m

26. KONTROLLER FORUD FOR DRIFT

26.1 FJERN TRANSPORTBOLTEN

BEMÆRK: Denne enhed forsendes med en transportbolt. Transportbolten i midten og gummimanchetten (se billeden nedenfor) skal tages af motorens monteringsbeslag inden start af generatoren.

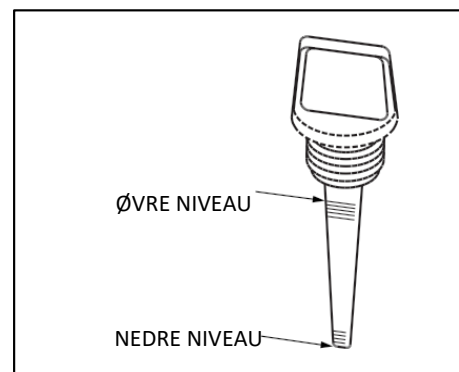
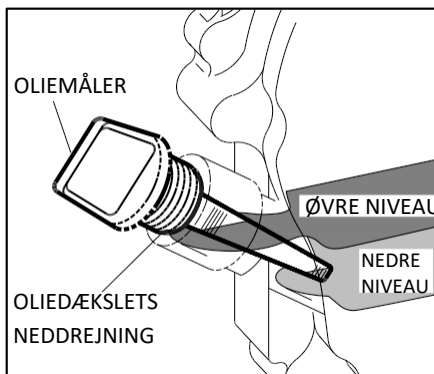
Hvis dette undlades, kan det medføre alvorlige skader på generatoren under driften.



26.2 KONTROL AF MOTOROLIE

BEMÆRK: Denne enhed transporteres uden olie i krumtaphuset. Fyld olie i krumtaphuset, inden du forsøger at starte enheden for første gang for at undgå at ødelægge enheden.

- ⚠ Sørg for, at generatoren står på et plant underlag med slukket motor inden kontrol af olieniveauet eller påfyldning af olie.
- ⚠ Fjern oliedækslet, og kontrollér motorolieniveauet.
- ⚠ Hvis olieniveauet ligger under den nederste niveaulinje, påfyldes en passende olie (se olietabel) til øverste niveaulinje.
- ⚠ Udskift olien, hvis den er forurenset, se kapitel 7.1.



Oliekapacitet:

Strømgeneratorer Modeller GE-2000M, GE2000, GE3000M, GE-3000, GE-3000MUK, GE-3000UK: 0,6 l
(0,16 gallon)

Strømgeneratorer Modeller GE5000M, GE5000, GE-5000UK, GE-5000MUK, GE-6000M, GE6000, GE-6000UK, GE-6000MUK GE-6000TM, GE-6000T, GE-7000M, GE-7000, GE-7000MUK, GE-7000UK, GE-7000TM, GE-7000T: 1,1 l (0,3 gallon)

Anbefalet motorolie:

Brug 4-takts motorolie i API-klassifikationen SE eller højere (SG, SH eller SJ anbefales). SAE 10W-30 eller 10W-40 anbefales til generel brug ved alle temperaturer. Hvis der bruges olie med en enkelt viskositetsgrad, skal der vælges en passende viskositet i forhold til gennemsnitstemperaturen i dit område.

Olietabel:

SINGLE GRADE	5W						
		10W					
			20W				
				#20			
					#30		
						#40	
MULTIGRADE	10W-30						
	10W-40						
OMGIVENDE T.	-20	-10	0	10	20	30	40°C
	-4	14	32	50	68	86	104°F

26.3 MONTERING AF GASFLASKE

ADVARSEL Svovl, vand, støv osv. er skadeligt for motoren. Hvis gasforsyningskilden (F-GAS) indeholder disse skadelige elementer, skal operatøren anvende et filter med det formål at fjerne svovl, vand osv. og sikre en ren gasforsyning. I modsat fald forkortes motorens levetid.

Brug udelukkende KOSANGAS for at forhindre motorskader. KOSANGAS er en forbrændingsgas. Den er farveløs og derfor usynlig for det blotte øje. KOSANGAS har fået tilført et uskadeligt lugtstof, der gør det muligt at lugte det. Brugeren bør kende lugten af KOSANGAS (lugter som svovl eller rådne æg). Sluk for motoren, hvis du på noget tidspunkt registrerer lugten af gas. Fjern gasflasken, hvis lækagen fortsætter. Forsøg aldrig at betjene en enhed, hvor der er mistanke om lækage.

- ⚠ Forbrænding af gas producerer kulilte (CO). Kulilte er usynlig, har ingen lugt og kan slå dig ihjel. Det kan være farligt at bruge din generator i et lukket rum.
- ⚠ Generatoren må kun bruges på steder med god udluftning. Hvis du oplever hovedpine, sløvhed eller kvalme, skal du slukke for enheden og have frisk luft hurtigt.
- ⚠ Brug aldrig enheden på steder, hvor der ligger personer og sover.
- ⚠ Følg vejledningen til enheden for at sikre korrekt brug.
- ⚠ Holdes på afstand af børn.
- ⚠ Må ikke opbevares ved temperaturer over 49 °C (120 °F).
- ⚠ Opbevar aldrig gasflasker indendørs.
- ⚠ Flasken må aldrig lægges i bagage eller tages med på tog eller i fly.
- ⚠ Følg de lokale regler, når flasken er tom, og aflever flasken hos leverandøren til genopfyldning, eller, hvis der er tale om beholdere, der ikke kan genopfyldes, kontakt den lokale modtagestation. Tomme beholdere må aldrig lægges i bål eller afleveres til forbrænding. Der må ikke stikkes hul på flasken.

INDEN BRUG

- 1) Kontrollér gummipakningen på gasflasken.
- 2) Sluk for enheden. Kontrollér gaslangen for revner, slitage, misfarvning eller anden form for beskadigelse.
- 3) Tilslut gasflasken udendørs på afstand af tændflammer, flammer, gnister eller andre antændelseskilder. Disse kilder kan antænde udstrømmende gas.
- 4) Hvis der skal bruges værktøj til gastilslutningen, skal der altid anvendes et særligt værktøj til formålet. Hvis gasflaskens tilslutning er konstrueret til at skulle tilspændes pr. håndkraft, skal du være omhyggelig med ikke at spænde den for meget. Hvis den spændes for meget, kan det beskadige forseglingerne.
- 5) Kontrollér for lækager. Påfør sæbevand ved tilslutningerne. Se efter bobler. Lyt efter udstrømmende gas. Mærk efter, om flasken er ekstremt kold. Lugt efter, om der er en lugt af rådne æg. Undlad brug i tilfælde af utætheder.
- 6) Læs og overhold vejledningen til apparatet.

UNDER BRUG

Må aldrig bruges i nærheden af tændflammer, flammer, gnister eller andre antændelseskilder. Disse kilder kan antænde udstrømmende gas.

EFTER BRUG

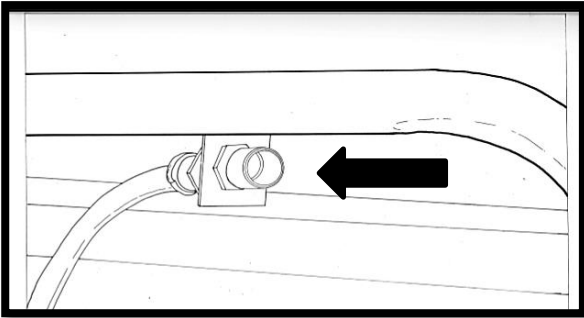
- 1) Sluk for enheden, og lad den køle af.
- 2) Kobl flasken fra, når den ikke er i brug.
- 3) Frigør den udenfor og på afstand af tændflammer, flammer, gnister eller andre antændelseskilder, der kan antænde udstrømmende gas.

I TILFÆLDE AF BRAND

- 1) Forlad området hurtigt, og ring til de lokale brandmyndigheder.
- 2) Lad flasken brænde ud.

Sådan tilsluttes gasslange og gasflaske (1):

- 🔧 Hold gasflasken lukket.
- 🔧 Sørg for, at der er slukket for motoren.
- 🔧 Brug en DG godkendt højtryksgasslange med G3/8" Euro tilslutningsfittings i begge ender.
- 🔧 Brug en Kosan Gas click-on højtryksregulator for tilslutning til 5/10/11 kg gasflasker
- 🔧 Brug en Kosan Gas højtryksregulator med stjerneomløber til 17/22/33 kg gasflasker.
- 🔧 Skru den ene slange tilslutning på generatoren gasindløb og den anden på regulatorens tilslutning og spænd efter.



- ⚠ Monter regulatoren på gasflasken. Sørg for, at flasken står på et fast og jævnt underlag.

Spænd møtrikken i hver ende af gasslangen vha. skruenøglen, indtil forbindelsen sidder godt fast, og kontrollér forbindelsen for lækage med sæbevand eller lækagesøgespray. Brug aldrig åben ild til lækagesøgning.

Alle samlinger bør sikres godt, inden maskinen tages i brug. Kontrollér samlinger og gasslanger for lækage eller brud, udskift beskadigede samlinger og slanger, hvis det er nødvendigt. Kontrollér gasslangen for beskadigelse inden brug. F-gas skal altid bruges i overensstemmelse med leverandørens anvisninger.

- ⚠ Brug udelukkende originalt tilbehør og originale komponenter fra Greengear Global Srl eller Cavagna Group.

26.4 KONTROL AF KOMPONENTDELE/GENERATORENS OMGIVELSER

Kontrollér følgende inden start af motoren:

- ⚠ Kontrollér, at gasflaske, gasslange og regulator er i god stand. Kontrollér, at gasindløbsforbindelsen er spændt godt og ikke lækker.
- ⚠ Kontrollér, at alle bolte og møtrikker er spændte.
- ⚠ Kontrollér for beskadigede komponenter.
- ⚠ Kontrollér, at generatoren ikke hviler på eller mod omkringliggende ledninger.
- ⚠ Kontrollér, at området omkring generatoren er frit.



ADVARSEL Sørg for at gennemgå hver enkelt advarsel for at undgå brandfare.



ADVARSEL Hold området fri for brandbare eller andre farlige materialer.



ADVARSEL Hold generatoren på mindst 1 meters afstand af bygninger og lignende.



ADVARSEL Må kun bruges på steder, der er tørre og har en god udluftning.



ADVARSEL Hold udstødningsrøret fri for fremmedlegemer.



ADVARSEL Hold generatoren på afstand af åben ild. Rygning forbudt!



ADVARSEL Placer generatoren på en stabil og jævn overflade.



ADVARSEL Undgå at blokere generatorens lufthuller med papir eller andet materiale.

26.5 ISÆTNING AF BATTERI



ADVARSEL

Hvis anvisningerne ikke følges nøje, kan det medføre død, personskade og/eller tingsskade. Brug batterier med den anbefalede kapacitet.

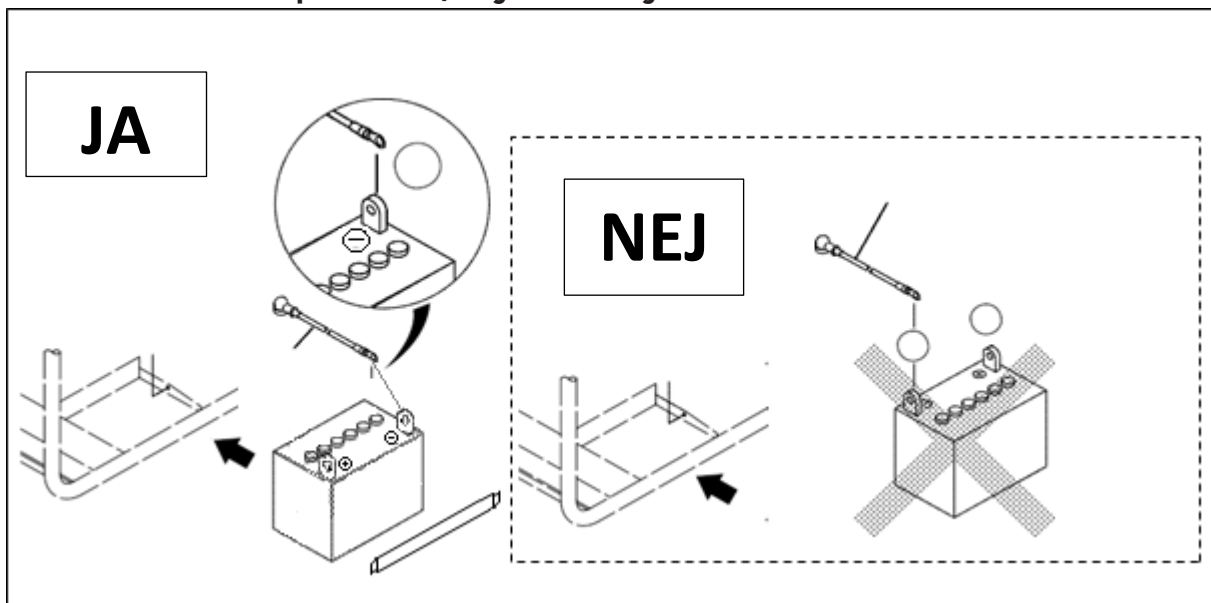
Anbefalet batteri: Kapacitet på 12 V-24 AH eller derover.

Drej startknappen til "STOP", når batteriet monteres eller afmonteres. Slut først det positive (+) kabel og derefter det negative (-) kabel til batteriet, når det monteres. Undlad at forkorte batterikabler. Når batteriet skal fjernes, kobles det negative (-) kabel af først.

RØDT KABEL: Positiv (+) klemme

SORT KABEL: Negativ (-) KLEMME

- ⚠ Hvis batteriet ikke tilsluttes korrekt, fungerer generatoren ikke korrekt.
- ⚠ Spænd bolte og møtrikker på klemmerne, så de ikke løsner sig pga. vibrationer.
- ⚠ Tag batterikablerne af, når batteriet oplades.
- ⚠ Vi anbefaler en kompensations-/langsom ladning.

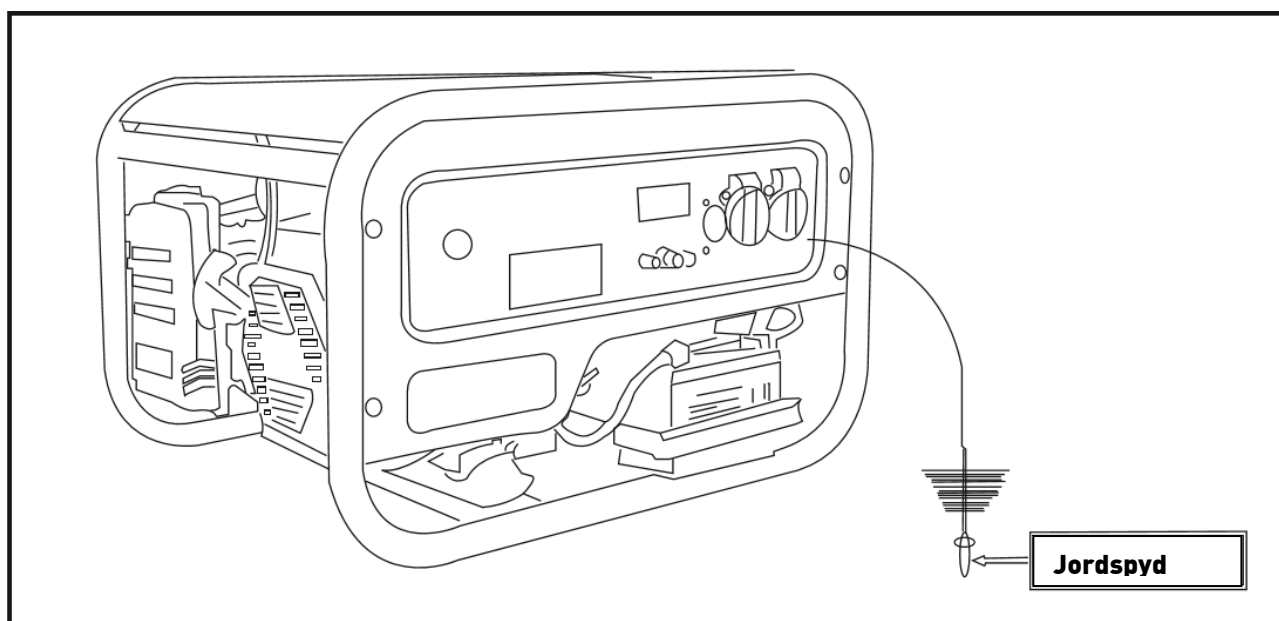


SÅDAN INSTALLERES BATTERIET (Se "TILBEHØR")

26.6 JORDING AF GENERATOREN

Slut generatorens jordklemme til jordspyddet, der er sat i jorden.

Hvis generatoren er tilsluttet husholdningens ledningsanlæg, skal generatorens jordklemme tilsluttes husets jordforbindelse. Visse typer af jordledningssystemer kræver også, at der sættes et jordspyd i jorden.



27. DRIFTSPROCEDURER

27.1 START AF MOTOREN

FORSIGTIG: Kontrollér olieniveauet inden hver gangs drift som beskrevet i kapitel 4.1.

1-Åbn for regulatoren på gasflasken i henhold til brugsanvisningen for regulatoren.

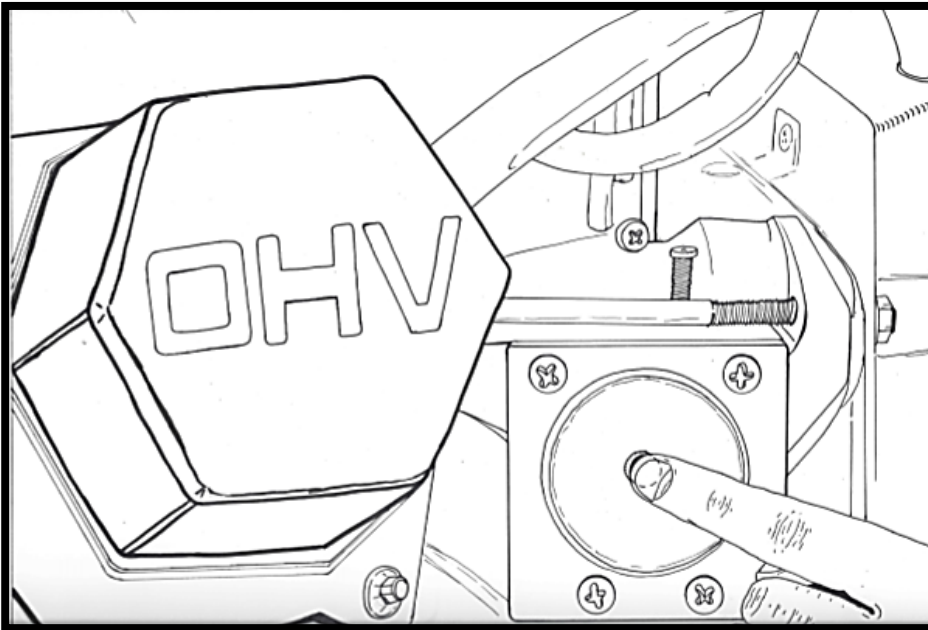
2-Tryk på tipper-knappen på ENERKIT karburatoren 1 eller 2 gange, ellers kan motoren være svær at starte.



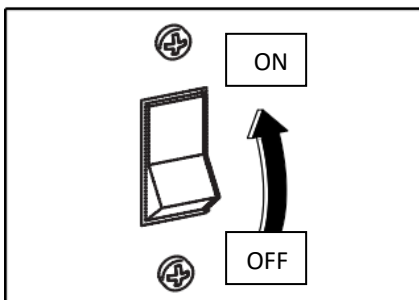
ADVARSEL

-Hvis der trykkes på tipper-knappen for mange gange, mens der er slukket for motoren, kan det give alvorlige problemer med motoren.

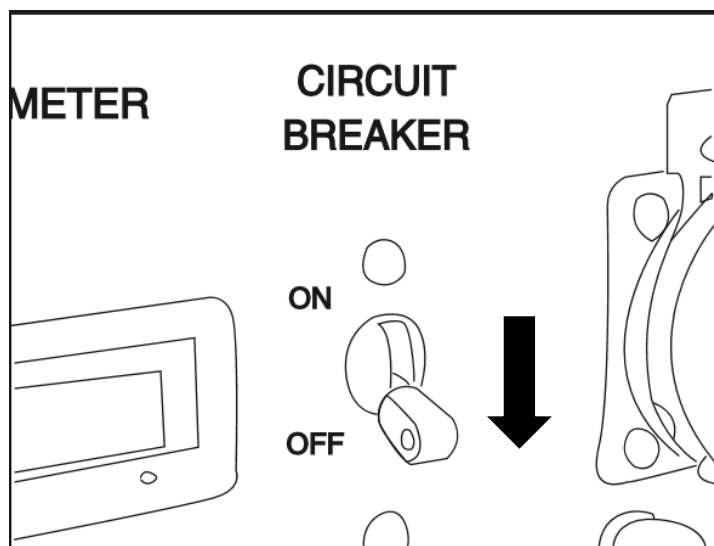
-Hvis der trykkes på tipper-knappen, mens der er tændt for motoren, kan det modificere forgasningen og ændre luft/gas-blandingen, hvilket øger mængden af emissioner, og hvis dette pågår i for lang tid, kan det medføre alvorlige problemer med motoren.



3-Klik motorafbryderen til "ON" (til) (kun rekylstarter).

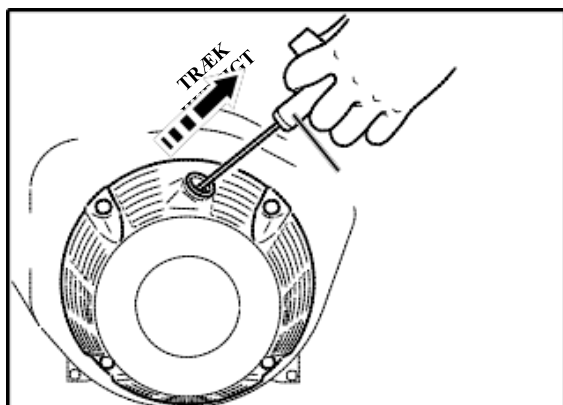


4-Klik strømafbyderen til "OFF" (fra).



5a) Rekylstarter-modellen

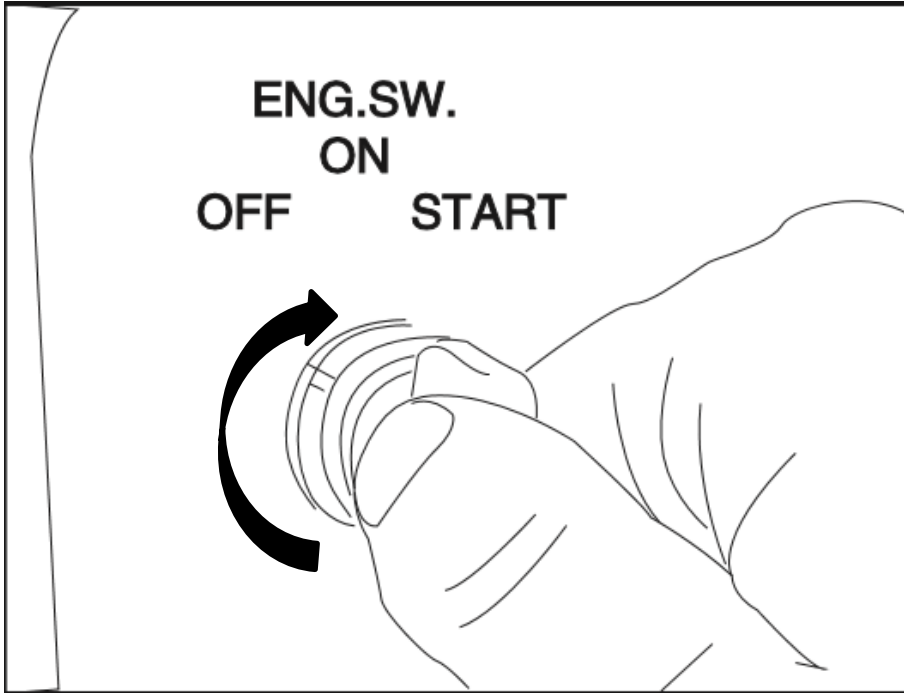
Træk langsomt i starthåndtaget, indtil der mærkes modstand. Dette er "kompression-"punktet. Før håndtaget tilbage til dets oprindelige position, og træk hurtigt. Træk ikke tovet helt ud. Lad starthåndtaget vende tilbage til dets oprindelige position efter starten, samtidig med at der holdes i håndtaget.



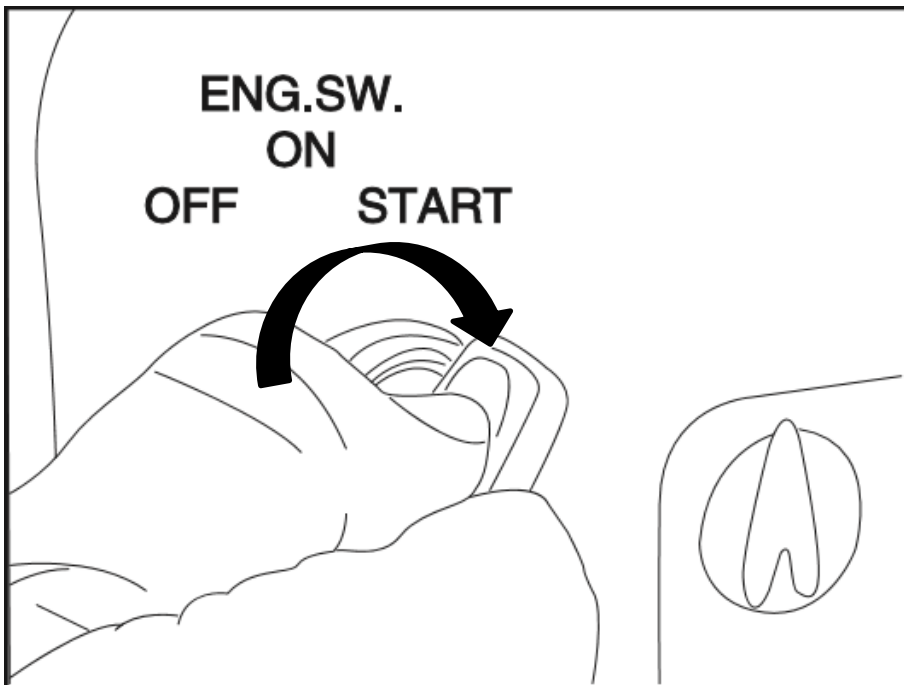
5b)

Elstarter-model

- 🔑 Sæt nøglen i nøgleafbryderen, og drej den med uret til "ON" (til) for at starte motoren.



- 🔑 Drej derefter nøglen videre til "START". Motoren startes vha. startmotoren.



BEMÆRK: Når motoren startes for første gang, bruges rekylstarten, indtil motoren er i gang.

FORSIGTIG: Lad ikke startmotoren køre i mere end 5 sekunder i træk. Drej nøglen til "ON", vent i 10 sekunder, og prøv igen, hvis motoren ikke starter.

Undlad at dreje nøglen til "START", når motoren kører, for at undgå at beskadige startmotoren. Stil nøgleafbryderen på "ON", og træk i starthåndtaget, når motoren startes vha. rekylstarteren.

27.2 BRUG AF ELEKTRISK STRØM

ADVARSEL Sørg for, at apparatet er slukket, når det sluttes til generatoren. Undlad at flytte på generatoren, mens den er i gang. Sørg for at jordlede generatoren, hvis det tilsluttede apparat er jordledt. Hvis enheden ikke jordledes, kan det medføre elektrisk stød.

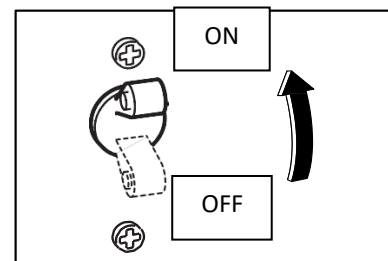
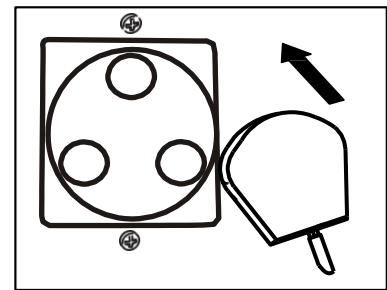
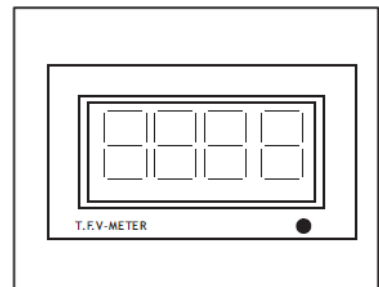
ANVENDELSE AF VEKSELSTRØM

a) Kontrollér voltmeteret for korrekt spænding. Generatoren er testet grundigt og indstillet på fabrikken. Kontakt din forhandler, hvis generatoren ikke genererer den angivne spænding.

b) Sluk for det elektriske apparat, inden det sluttes til generatoren.

c) Sæt stikket fra det eller de elektriske apparater i stikkontakten. Kontrollér amperetallet på de anvendte stik og forlængerledninger, jf. tabellen på side 32 (side 11), og sørg for ikke at vælge en strømstyrke, der overskrider det angivne amperetal. Sørg for, at det samlede amperetal for alle apparater ikke overstiger generatorens mærkeeffekt.

d) Klik knappen på apparatet til ON (til).



BEMÆRK: Når strømafbryderen slår fra under driften, er generatoren overbelastet, eller der er fejl på apparatet. Stop generatoren med det samme, kontrollér apparatet og/eller generatoren for overbelastning.

TILSLUTNING TIL HUSHOLDNINGSKREDSLØB (HUSHOLDNINGS LEDNINGSANLÆG)



ADVARSEL

Denne generator er jordet neutralt. Hvis en generator skal tilsluttes boligens strømforsyningsanlæg eller kommercielle strømforsyningsnet, f.eks. som nødstrømforsyning ved strømsvigt, skal alle tilslutninger udføres af autoriserede elektrikere. Fejl i tilslutningen kan medføre død, personskade, beskadigelse af generatoren, beskadigelse af apparater og ledningsanlægget i bygningen eller brand.

Hvis generatoren tilsluttes husholdningens ledningsanlæg, skal generatorens udgangseffekt tages fra 220 V-stikket.

Monter en omstillingskontakt. Der skal monteres en omstillingskontakt til overførsel af belastningen fra den kommercielle strømkilde til generatoren. Denne kontakt er nødvendig for at forhindre ulykker

som følge af gendannelse efter strømsvigt. Brug en omstillingskontakt med korrekt kapacitet. Montér omstillingskontakten mellem måleren og sikringen eller vekselstrømsafbryderen.

FORSIGTIG: Sørg for, at generatorens jordbøsning har jordforbindelse, hvis den neutrale ledning fra strømforsyningsnettet er jordet. Ellers kan operatøren risikere at få elektrisk stød.

ANVENDELSE AF VEKSELSTRØM

Opladning af batteriet

BEMÆRK: Det kan være nødvendigt at oplade batteriet med det samme efter køb. Vi anbefaler, at man oplader batteriet helt med en batterilader, første gang det oplades.

Slut den positive (røde) klemme på generatoren til den positive (+) klemme på batteriet.

Slut den negative (sorte) klemme på generatoren til den negative (-) klemme på batteriet.

Start generatoren vha. rekylstarteren, batteriet begynder at lade, når generatoren kører.

Bemærk: Der kan bruges såvel vekselstrøms- som jævnstrømseffekt samtidig, hvis den samlede effekt ligger inden for generatorens nominelle effekt.

BATTERILADER

Tag batterikablerne ud, når batteriet oplades.

Tilslut batteriopladeren.

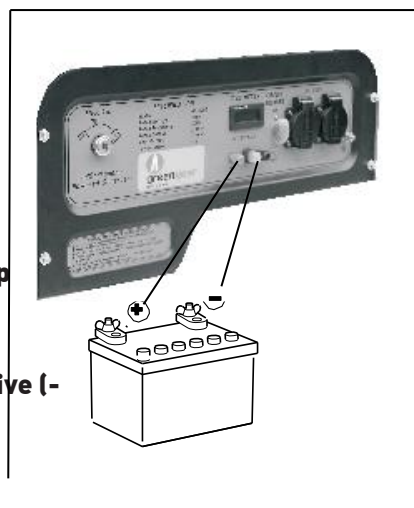
Bemærk: Vi anbefaler en kompensations-/langsom ladning.

Slut batteriet til generatoren igen, når batteriet er ladet helt op

Slut den positive (røde) klemme på generatoren til den positive (+) klemme på batteriet.

Slut den negative (sorte) klemme på generatoren til den negative (-)

klemme på batteriet.



SIKKERHEDSFORANSTALTNINGER UNDER OPLADNING

- ⚠ Der udledes en eksplosiv hydrogengas via ventilationshullerne i batteriet under opladningen. Undgå gnister og åben ild omkring generatoren under opladningen.
- ⚠ Elektrolytvæske kan give forbrændinger i øjne og på tøj. Vær ekstremt forsigtig med at undgå kontakt med væsken. Skyl straks med rigeligt vand, hvis du får væsken i øjnene eller på huden, og søg læge.
- ⚠ Ved opladning af et batteri med stor kapacitet eller et helt afladet batteri, kan overskydende strøm tvinge jævnstrømsafbryderen til at slå fra. Brug i sådanne tilfælde en batterilader til opladning af et stort batteri med vekselstrømseffekt.
- ⚠ Fejl i batteriet kan få jævnstrømsafbryderen til at slå fra. Kontrollér batteriet inden udskiftning af jævnstrømsafbryderen.

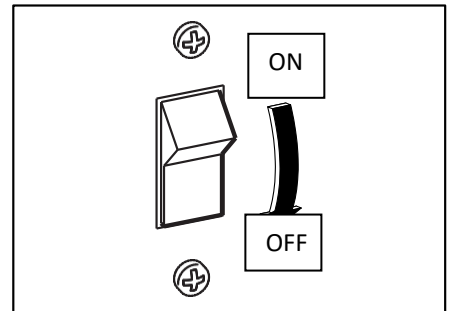
27.3 STOP AF GENERATOREN

1-Sluk for strømmen på det elektriske udstyr, og tag stikket ud af generatoren.

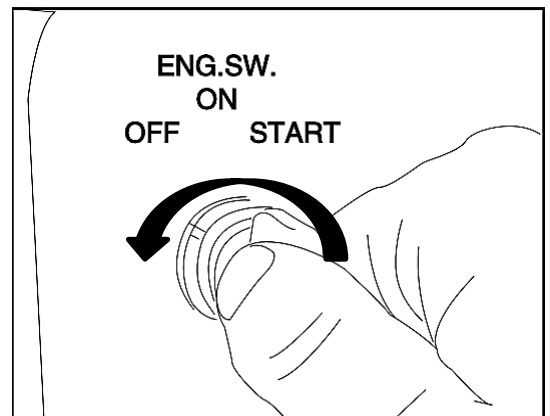
2- Klik strømafbryderen til "OFF" (fra).

3-Giv motoren ca. 3 minutters tid til nedkøling uden belastning, før den stopper.

4a) Model med rekylstarter: Sluk for motoren ved at klikke til positionen "OFF" (fra).



4b) Model med elstarter. Drej nøgleafbryderen til positionen "STOP".



5- Luk ventilen på regulatoren.

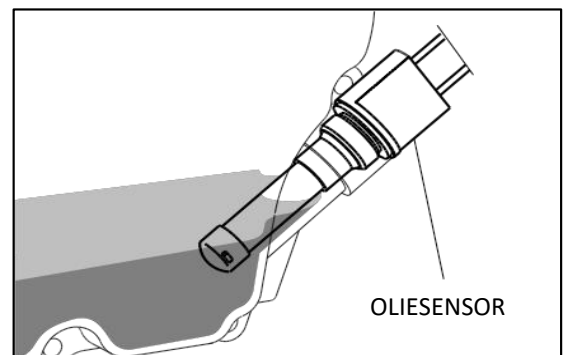
27.4 OLIESENSOR

1-Oliesensoren registrerer faldet i olieniveauet i krumtaphuset og stopper automatisk motoren, når olieniveauet falder til under et forudbestemt niveau.

2-Sluk for generatorens strømafbryder, når motoren er stoppet, og kontrollér olieniveauet. Fyld motorolie på op til det øverste niveau som anvist i kapitel 7.1, og genstart motoren.

3-Kontrollér olieniveauet, hvis motoren ikke starter vha. de sædvanlige startprocedurer.

FORSIGTIG: Undlad at fjerne OLIESENSORENS MÅLEPIND, mens der fyldes olie på. Fjern oliedækslet på den modsatte side af karburatoren.



28. OPLYSNINGER OM WATTFORBRUG

Nogle apparater har brug for en kraftig stigning i energi ved opstarten. Det betyder, at mængden af strøm, der skal bruges til start af maskinen, overstiger den mængde, der kræves for at holde den i gang.

Elektriske apparater og værktøjer er normalt forsynet med en mærkat, der viser den spænding, de cyklusser/Hz, det amperetal og den strøm, der kræves for at drive apparatet eller værktøjet.

Kontakt den nærmeste afdeling ved spørgsmål om visse værktøjers behov for en kraftig stigning i strøm.

Elektriske belastninger som f.eks. glødelamper og varmeplader kræver samme antal watt i starten og til vedligeholdelse. Belastninger som f.eks. fluorescentlamper kræver 1,2 til 2 gange den angivne watt under opstarten. Belastninger til kviksølvlamper kræver 2 til 3 gange det angivne wattforbrug under opstarten.

Elmotoren kræver en stor startstrøm. Strømkravene afhænger af motortypen og brugen. Når der er opnået en "stigning", der er stor nok til at starte motoren, kræver apparatet kun 50 til 30 % af wattforbruget for at fortsætte. De fleste elektriske værktøjer kræver 1,2 til 3 gange så meget for at starte. En 5.000 watt generator kan drive elektrisk værktøj på 1.800 til 4.000 watt.

Belastninger som f.eks. dykpumper og luftkompressorer kræver en meget stor strømstyrke for at starte. De kræver 3 til 5 gange det normale wattforbrug for at starte. En 5.000 watt generator vil f.eks. kun kunne drive en 1.000 til 1.700 watt pumpe.

BEMÆRK: Nedenstående oversigt over wattforbruget er kun vejledende. Se det specifikke apparat for at få det korrekte wattforbrug.

For at finde det samlede wattforbrug, der kræves for at drive et bestemt elektrisk apparat eller værktøj, skal tallet for volt på det elektriske apparat/værktøjet ganges med amperetallet på samme. Oplysninger om spænding og ampere fremgår af det typeskilt, der normalt sidder på elektriske apparater og værktøjer.

ARBEJDSFORHOLD

Generatorsæt må kun belastes op til deres nominelle effekt ved de angivne omgivende forhold. Brug ved højere temperaturer, højder eller luftfugtighed end angivet kan reducere ydelsen. Standardreferenceforholdene er som følger:

Omgivende lufttemperatur	25 °C
Omgivende lufttryk	100 kPa
Relativ luftfugtighed	30 %
Højde	1000 m

Generatorsættet kan starte og fungere ved omgivende temperaturer på mellem -10°C og 40°C

DRIFT VED STOR HØJDE

Hestekræfterne falder med ca. 3,5 % for hver 300 m (1.000 fod) øgning i højde. Effekten af højden i forhold til reduktionen af hestekræfter vil være større, hvis der ikke foretages nogen karburatorændringer.

TEMPERATUR

Lave temperaturer får gastrykket i flasken til at falde, hvilket gør, at flasken fryser til for tidligt, og påvirker generatorens ydeevne. Brug eventuelt en større gasflaske eller koppel to eller flere gasflasker ved hjælp af en "grisehale".








OMGIVENDE TRYK

Et lavt atmosfærisk tryk påvirker lufttætheden og reducerer derfor forbrændingens effektivitet. Dette påvirker generatorens ydeevne negativt.

29. VEDLIGEHOLDELSE

Vedligeholdelse, reparation og udskiftning af emissionskontrollsystemet og komponenter bør udføres af en kvalificeret og autoriseret person.

DAGLIG INSPEKTION

-  Kontrollér for usædvanlig vibration, støj.
-  Kontrollér olieniveau og -kvalitet.
-  Kontrollér, at området omkring generatoren er frit.
-  Kontrollér luftfilterelementet, og rengør det om nødvendigt.
-  Kontrollér samlinger og gasslanger for lækage og brud.
-  Kontrollér for løse eller ødelagte bolte og møtrikker.
-  Kontrollér motoren for synlige olielækager.

PERIODISK VEDLIGEHOLDELSE

Periodisk vedligeholdelse er afgørende for, at din generator fungerer sikkert og effektivt. Find de periodiske vedligeholdelsesintervaller i tabellen nedenfor.

Det er også nødvendigt, at brugeren af denne generator sørger for vedligeholdelse og justeringer af dele med relationen til emissionssystemet for at sikre, at emissionskontrollsystemet bliver ved med at virke.

Emissionskontrollsystemet består af følgende dele:

- (1) Enerkit karburator
- (2) Koldstartssystem, hvis det er relevant
- (3) Indsugningsmanifold, hvis det er relevant
- (4) Luftfiltre
- (5) Tændrør
- (6) Magnetisk eller elektronisk tændingssystem
- (7) System til for-tænding/lav tænding, hvis det er relevant
- (8) Udstødningsmanifold, hvis det er relevant
- (9) Slanger, bælter, forbindelser og samlinger

Det vedligeholdelsesskema, der fremgår af tabellen, er baseret på normal drift af generatoren. Hvis generatoren drives under ekstremt støvede forhold eller belastes kraftigt, skal vedligeholdelsesintervallerne forkortes afhængigt af kontamineringen af olie, tilstopning af filterelementer, slitage på dele osv.

Dele, der skal vedligeholdes	For hver 8 timer (dagligt)	For hver 20 timer	For hver 50 timer (ugentligt)	For hver 200 timer (månedligt)	For hver 500 timer	For hver 1.000 timer
RENGØRING AF GENERATOREN OG KONTROL AF BOLTE OG MØTRIKKER	🔧 (dagligt)					
KONTROL FOR MOTOROLIE OG PÅFYLDNING	🔧 (fyld motor olie på op til øverste niveau dagligt)					
SKIFT AF MOTOROLIE (*Note 1)		🔧 (i starten)	🔧 (for hver 100 timer)			
RENGØRING AF TÆNDRØR			🔧			
RENGØRING AF LUFTRENSER			🔧			
UDSKIFTNING AF LUFTFILTER				🔧		
RENGØRING AF BRÆNDSTOFFILTER				🔧		
RENGØRING OG TILPASNING AF TÆNDRØR OG ELEKTRODER				🔧		
UDSKIFTNING AF TÆNDRØR					🔧	
GNISTFANG			🔧 (for hver 100 timer)			
KONTROL OG JUSTERING AF VENTILSPILLERUM (*Note 2)					🔧	
RENGØRING OG TILPASNING AF KARBURATOR (*Note 2)					🔧	
RENGØRING OG UDSKIFTNING AF KULBØRSTER						🔧

*Note: 1. Det indledende olieskift bør udføres efter de første tyve (20) timers drift. Derefter skal der skiftes olie for hver hundrede (100) timer. Find en egnet måde at bortskaffe gammel olie på inden skift af olie. Undlad at hælde olie i kloakken, i havejord eller ud i åbent vand. Læs de lokale område- eller miljøregler for at få nærmere oplysninger om korrekt bortskaffelse.

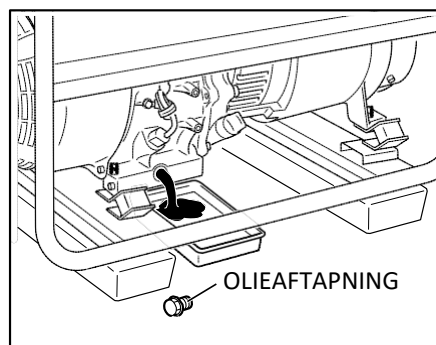
*Note 2. Bør foretages af din forhandler, med mindre du selv har passende værktøj til reparation samt den nødvendige uddannelse og passende tekniske kvalifikationer.

29.2 SKIFT AF MOTOROLIE

Skift motorolie for hver 100 timer (ved nye motorer skal der skiftes olie efter 20 timer).

- 7- Aftap olie ved at fjerne bundproppen og oliedækslet, mens motoren er varm.
- 8- Sæt bundproppen i igen, og fyld motoren med olie, indtil den når det øverste niveau på oliedækslet.

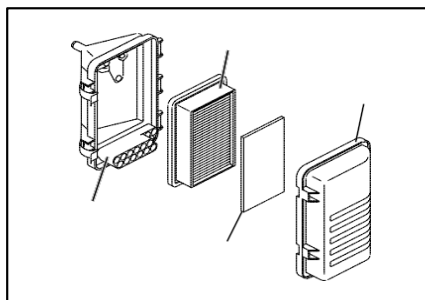
Brug frisk smøreolie af høj kvalitet op til det angivne niveau iht. kapitel 4.1. Hvis der bruges kontamineret eller forringet olie, eller hvis kvaliteten af motorolien ikke er høj nok, kan det medføre motorskade, og den forventede levetid reduceres markant.



29.3 RENGØRING AF LUFTFILTER

FORSIGTIG Undlad at vaske dele med petroleum, benzin eller olie.

Et snavset luftfilter gør det vanskeligt at starte, giver strømsvigt og fejl i motoren og forkorter motorens levetid. Hold altid luftfilteret rent.



1. Element i urethanskum

Vask og rengør urethanskum med rengøringsmiddel. Tør det efter rengøring. Rengør elementet for hver 50 timer.

2. Element i papir

Rengør ved forsigtig at banke let for at fjerne snavs og pust støv væk. Brug aldrig olie. Rengør elementet for hver 50 timers drift, og udskift elementsættet for hver 200 timer.

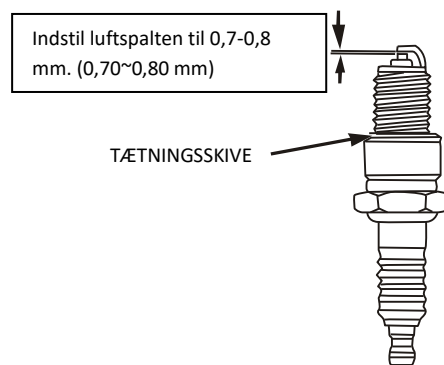
Rengør og udskift luftfiltre hyppigere ved drift i støvede omgivelser.

29.4 RENGØRING OG TILPASNING AF TÆNDRØR

Fjern tændrøret, hvis det er kontamineret med sod, og rengør det vha. en tændrørsrensner eller stålbørste.

Kontrollér elektrodeåbningen. Indstil åbningen til 0,7-0,8 mm (0,028-0,031 tommer).

FORSIGTIG: Sørg for at stramme tændrøret godt, ellers kan det blive meget varmt og muligvis beskadige motoren. Undlad at bruge tændrøret inden for et ukorrekt varmeområde.



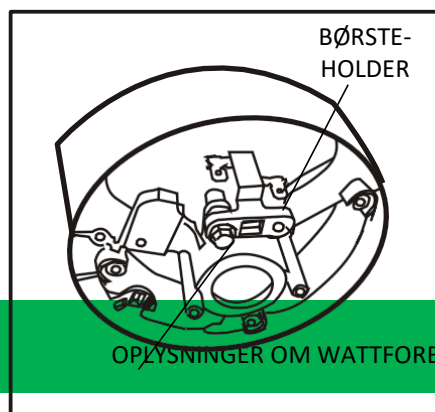
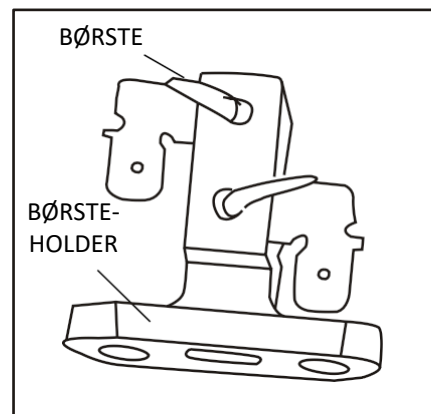
29.5 KONTROL AF KULBØRSTE

Hvis børsten slides for meget, ændres dens kontaktryk i forhold til slæberingen, hvilket giver en ru overflade på slæberingen og fører til en ujævn generatorydelse. Kontrollér børsten for hver 500 timer, eller hvis generatorens ydelse er uregelmæssig. Hvis børsten er 5 mm (0,2 tommer) eller mindre, skal den udskiftes med en ny børste.

(a) Fjern hættten til børsten.

(b) Tag ledningen ud, og fjern børsten.

(c) Overhold børstens retning og relative position i forhold til slæberingen ved montering af en ny børste.



SKRUE

29.6 JUSTERING AF VENTILSPILLERUMMET

Slitage på ventilens tætningsring kan medføre, at spillerum A (på figuren) mindskes over tid, indtil kontakten med knastakslen forhindrer lukning. For at undgå dette bør det oprindelige ventilspillerum genetableres efter et vist antal timer.

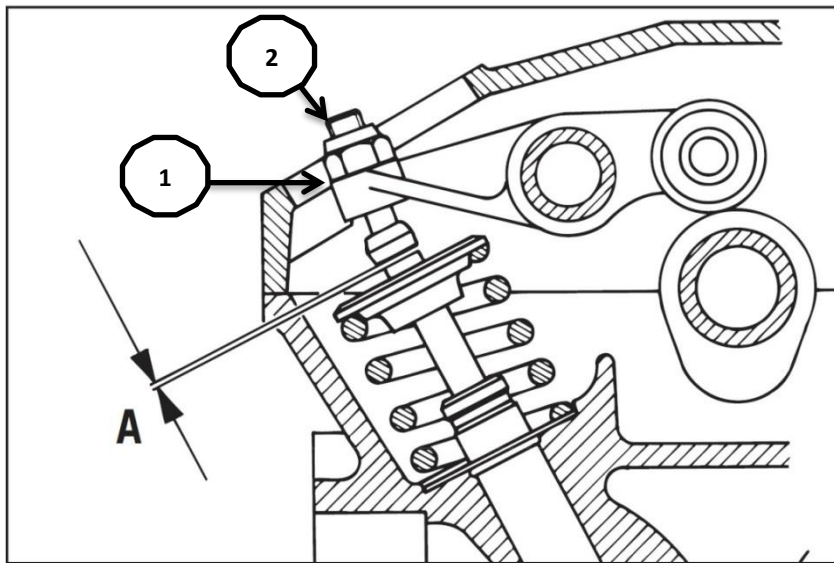
OPRINDELIGT SPILLERUM:

Indsugning: 27 µm

Udstødning: 27 µm

Dette skal gøres af din forhandler, med mindre du selv har passende værktøj til reparation og den nødvendige uddannelse og passende tekniske kvalifikationer.

⚠ ADVARSEL: Sørg for, at motoren er kold inden justering af ventilspillerummet.



NØDVENDIGE VÆRKTØJER:

- 🔧 Tykkelsesmåler
- 🔧 Skruetrækker
- 🔧 Unbrakonøglesæt

HANDLINGER:

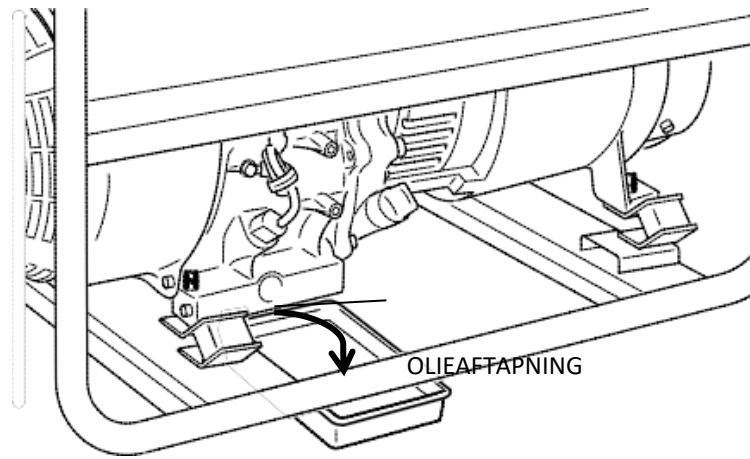
- 15- Fjern tænderøret
- 16- Fjern hættten til topstykket
- 17- Kontrollér vha. tykkelsesmåleren, om spillerummet adskiller sig fra det oprindelige spillerum for at fortsætte med indstillingen.
- 18- Løsn låsemøtrikken (1)

- 19- Drej spjældet (2), og læg tykkelsesmåleren ind imellem ventilen og vippearmen
- 20- Luk låsemøtrikken efter registrering af ventilspillerummet, og kontrollér, at spillerummet ikke har ændret sig (gentag forrige trin, hvis det har ændret sig)
- 21- Sæt topstykkets hætte på igen.

30.OPBEVARING OG TRANSPORT

Foretag nedenstående procedurer inden opbevaring af generatoren i perioder på 6 måneder eller derover:

- 🔧 Kobl gasflasken af.
- 🔧 Lad motoren køle af. Fjern tændrøret, og hæld 10 dråber motorolie af høj kvalitet ned i motorcylinderen.
- 🔧 Kobl det batteri, der har været brugt til den elektriske start af generatoren fra, ved først at koble det sorte og derefter det røde kabel af.
- 🔧 Skift af motorolie.
- 🔧 Kontrollér for løse bolte og skruer, spænd efter, hvis det er nødvendigt.
- 🔧 Rengør generatoren omhyggeligt med en klud med olie på. Sprøjt med konserveringsmiddel, hvis dette er til rådighed. **BRUG ALDRIG VAND TIL RENGØRING AF GENERATOREN!**
- 🔧 Træk i starthåndtaget, indtil du mærker modstand, og efterlad håndtaget i den position.
- 🔧 Opbevar generatoren i et område med god udluftning og lav fugtighed.



Pak om muligt generatorsættet ind i den oprindelige emballage.

Placér aldrig generatorsættet liggende på siden eller med bunden opad





31.FEJLFINDING

Se nedenstående oversigt, hvis generatorens motor ikke starter efter gentagne forsøg på at starte, eller hvis der ikke er strøm på udgangen. Hvis din generator ikke starter eller ikke genererer strøm, skal du kontakte den nærmeste forhandler for yderligere oplysninger eller korrigerende tiltag.

Hvis motoren ikke vil starte:

Kontrollér, om motorafbryderen står på "OFF" (fra).	Flyt motorafbryderen til "ON" (til).
Kontrollér, at der ikke er sluttet et apparat til generatoren.	Sluk for strømafbryderen på det tilsluttede apparat, og tag stikket ud, hvis der er tilsluttet et apparat
Kontrollér, om luftfilteret er snavset	Rengør luftfilteret
Kontrollér tændrøret for at se, om hættten til tændrøret er løs.	Skub hættten til tændrøret tilbage på plads, hvis den er løs
Problemer med ENERKIT karburatoren	Tryk på tipper-knappen
Kontrollér tændrøret for kontaminering.	Fjern tændrøret, og rengør elektroden.
Kontrollér om gasflasken er tom	Udskift gasflasken

Hvis der ikke genereres strøm ved udgangen:

Kontrollér, at strømafbryderen står på "ON" (til)	Drej strømafbryderen til "ON", når du har kontrolleret, at det elektriske udstyrs samlede wattforbrug ligger inden for de tilladte grænser, og at der ikke er fejl på apparatet. Kontakt den nærmeste forhandler, hvis afbryderen fortsæt aktiveres.
Kontrollér vekselstrøms- og jævnstrømsklemmerne for løse forbindelser	Sørg for at sikre forbindelsen, hvis det er nødvendigt.
Kontrollér, om der blev gjort forsøg på at starte motoren, mens der var sluttet elektriske apparater til generatoren.	Sluk på knappen på apparatet, og træk kablet ud. Tilslut igen, når generatoren er startet korrekt.
Lavt effektforbrug	Kulbørsterne er meget slidte

Det er ofte synlig frost på gasflaske og regulatorer under driften, og dette er normalt ikke tegn på problemer. Når flydende gas fordamper og bevæger sig fra gasflasken til generatorens motor, udvides det. Den mængde af frost, der dannes, kan påvirkes af størrelsen af gasflasken, den anvendte mængde brændstof, luftfugtigheden og andre driftsforhold. I usædvanlige situationer kan denne frost ende med at begrænse flowet af gas til generatoren, hvilket forringer ydeevnen. Hvis flasketemperaturen f.eks. reduceres til et meget lavt niveau, reduceres den hastighed, hvormed den flydende gas fordamper ligeledes, og der tilføres muligvis ikke nok brændstof til motoren. Dette er ikke tegn på, at der er et problem med generatoren, men viser udelukkende, at der er et problem med gasstrømmen fra gasflasken. Hvis generatorens ydeevne synes at blive ringere, samtidig med at der er synlig isdannelse på gasflasken, slange eller regulator, kan der træffes foranstaltninger med henblik på at eliminere

dette. I disse sjældne situationer kan det være en hjælp, hvis man reducerer eller eliminerer virkningen af et koldt brændstofs system vha. et af følgende punkter:

- 🔧 Skift gasflasken, så den første frosne flaske kan varme op, gentag om nødvendigt.
- 🔧 Placer gasflasken for enden af generatoren i nærheden af håndtaget, hvor luften fra motorblæseren strømmer ud af generatoren. Luften opvarmes ganske lidt, når den strømmer over motoren. Gasflasken må ikke placeres ud for lyddæmperens udgang, da det bliver for varmt for flasken og er farligt.
- 🔧 Brug en større gasflaske, f.eks. 22 kg eller 33 kg, da disse flasker har større fordampningskapacitet
- 🔧 Skal generatoren køre kontinuerligt i længere tid, anbefales det at sammenkoble flere gasflasker. Derved kan driftstiden øges betragteligt og problemer med fordampning kan elimineres.

Kosan Gas a/s kan tilbyde flere forskellige forsyningsløsninger for sammenkobling af gasflasker, med automatisk omskifter til reserveflasker, samt fjernmeldingssystem med status for beholdning.

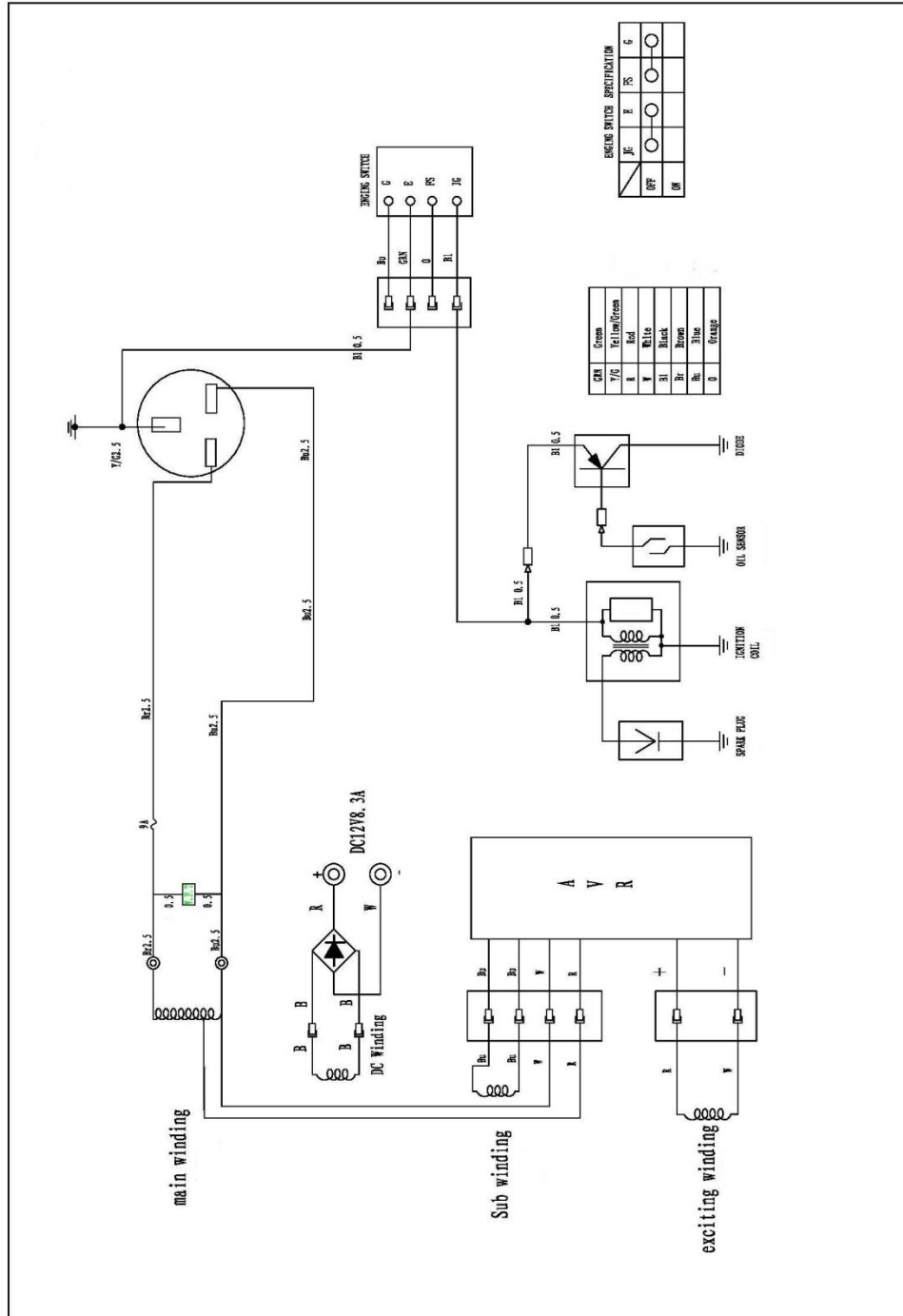
Der kan således opnås en meget længere driftstid end for tilsvarende diesel/benzin generatorer, og en høj sikkerhed for kontinuerlig drift, uden tørløb for brændstof.

Kontakt din Kosangas forhandler for nærmere oplysninger om gasforsyningsmuligheder.

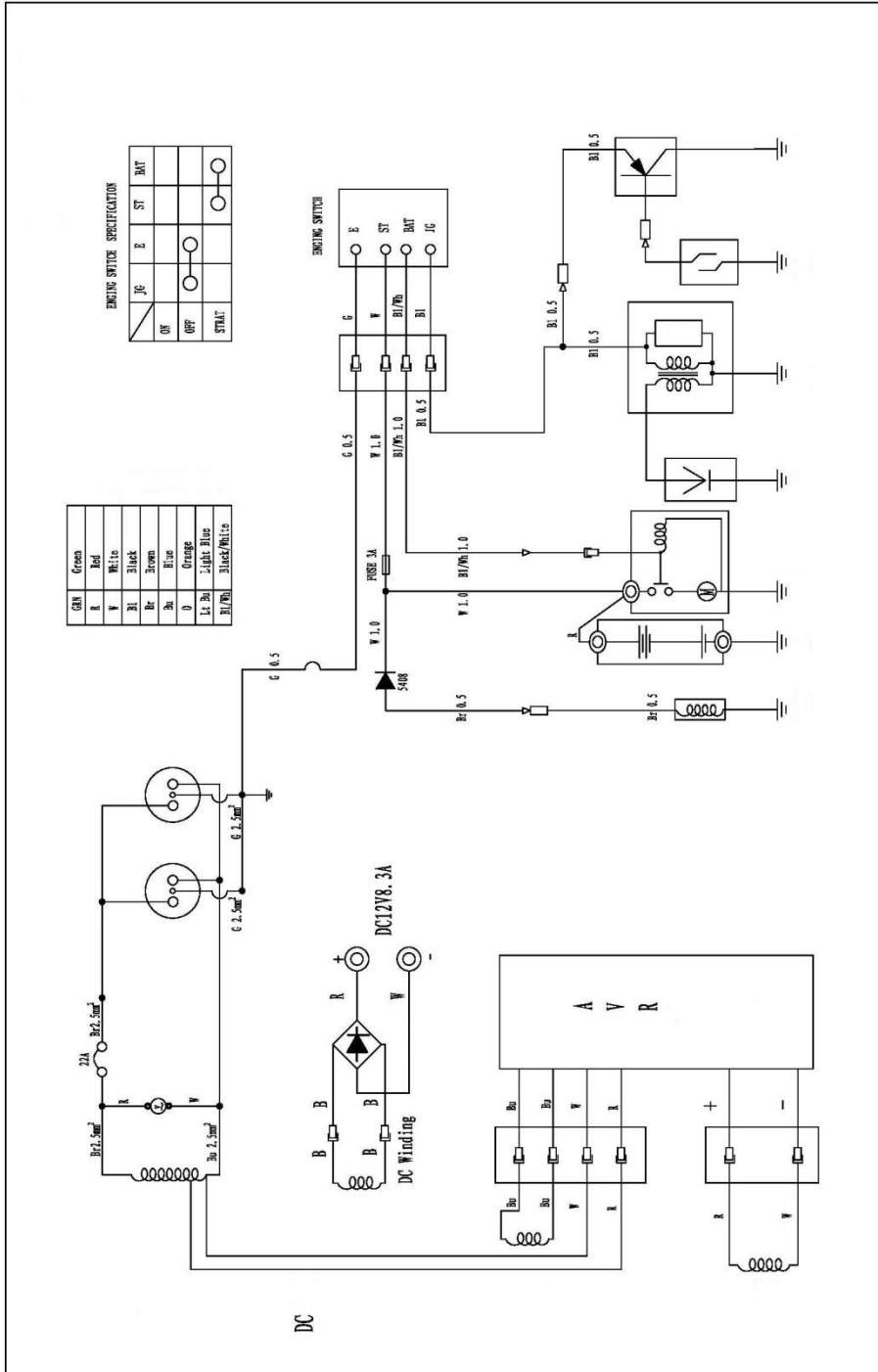
Du kan finde nærmeste forhandler på www.kosangas.dk

32. STRØMSKEMA

Generatorer Modeller: GE-2000M, GE2000, GE3000M, GE-3000, GE-3000MUK, GE-3000UK, GE-5000M, GE-5000, GE-5000MUK, GE-5000UK, GE-6000M, GE-6000, GE-6000MUK, GE-6000UK, GE-7000M, GE-7000, GE-7000MUK, GE-7000UK.



Generatorer Modeller: GE-6000TM, GE-6000T, GE-7000TM, GE-7000T



33. SPÆNDINGSFALD I ELEKTRISKE FORLÆNGERLEDNINGER

Når der anvendes en lang elektrisk forlængerledning ved tilslutning af et elektrisk apparat eller værktøj til generatoren, sker der et vist spændingsfald eller -tab i forlængerledningen, hvilket reducerer den effektive spænding, der er til rådighed for apparatet eller værktøjet.

Oversigten nedenfor viser det omtrentlige spændingstab ved brug af en forlængerledning på ca. 100 meter (300 fod) ved tilslutning af et apparat eller et værktøj til generatoren.

Nom. tværsnit	A.W.G.	Tilladelig strøm	Antal tråde	Modstand	Aktuel A							
					1A	3A	5A	8A	10A	12A	15A	
mm ²	Nr.	A	Nr./mm									
0,75	18	7	30/0,18	2,477	2,5V	8V	12,5V					
1,27	16	12	50/0,16	1,486	1,5V	5V	7,5V	12V	15V	18V		
2,0	14	17	37/0,26	0,952	1V	3V	5V	8V	10V	12V	15V	
3,5	12 til 10	23	45/0,32	0,517		1,5V	2,5V	4V	5V	6,5V	7,5V	
5,5	10 til 8	35	70/0,32	0,332		1V	2V	2,5V	3,5V	4V	5V	



Begrænset garanti og produktregistrering

**Oplysninger om den begrænsede garanti kan findes på
www.greengearglobal.com**

**Registreringsformularen skal udfyldes på
www.greengearglobal.com/productregistration og
sendes online for at gøre garantien gældende.**



EC DECLARATION OF CONFORMITY



For the following machinery:

Product name: LPG/Propane powered generator
 Commercial name: N/A
 Function: Low power generator set
 Type: LPG/Propane
 Model No.: GE-2000M,GE-2000,GE-3000M,GE-3000,GE-3000MUK,GE-3000UK,GE-5000M,GE-5000,GE-5000MUK,GE-5000UK,GE-6000M,GE-6000,GE-6000MUK,GE-6000UK,GE-6000TM,GE-6000T,GE-7000M,GE-7000,GE-7000MUK,GE-7000UK,GE-7000TM,GE-7000T.

is herewith confirmed to fulfill all the relevant provisions of Machinery Directive (2006/42/EC) and comply with Low-Voltage Directive (2006/95/EC) and Electromagnetic Compatibility Directive (2004/108/EC) and Noise Emission Directive by equipment for use outdoors (2000/14/EC + 2005/88/EC)

and the following harmonized standard have been complied with:

- EN 12601:2010;
- EN 61000-6-2:2005;
- EN 61000-6-4:2007;

Responsible for marking this declaration is the:

Manufacturer x	Authorized representative established within the EU
Manufacturer's Name	: GREENGEAR GLOBAL SRL
Manufacturer's Address	: VIALE DUCA DEGLI ABRUZZI 163, BRESCIA, ITALY
Authorized Rep's Name	: -
Authorized Rep's Address	: -

Person responsible for compiling the technical files established within the EU

Name, Surname	: ANDREA FOGLIETTI
Address	: VIALE DUCA DEGLI ABRUZZI 163, BRESCIA, ITALY

Person responsible for making this declaration


Name, Surname	: ANDREA FOGLIETTI
Position/Title	: Managing Director

GREENGEAR GLOBAL SRL
 Via Duca Degli Abruzzi n° 163
 25124 BRESCIA
 C.F. e Part. I.V.A. 01697780906

Brescia, Italy	March 10, 2017
----------------	----------------

(Place)

(Date)


 (Company stamp and legal signature)

BETJENING OG VEDLIGEHOLDELSE

ORIGINAL VEJLEDNING

PGE516 DK / REV 1



OPERATING AND MAINTENANCE ORIGINAL INSTRUCTIONS



Kontakt:

kundeservice@watter.dk

Tlf. +45 70261600

www.watter.dk